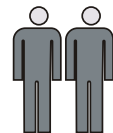
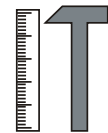
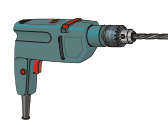
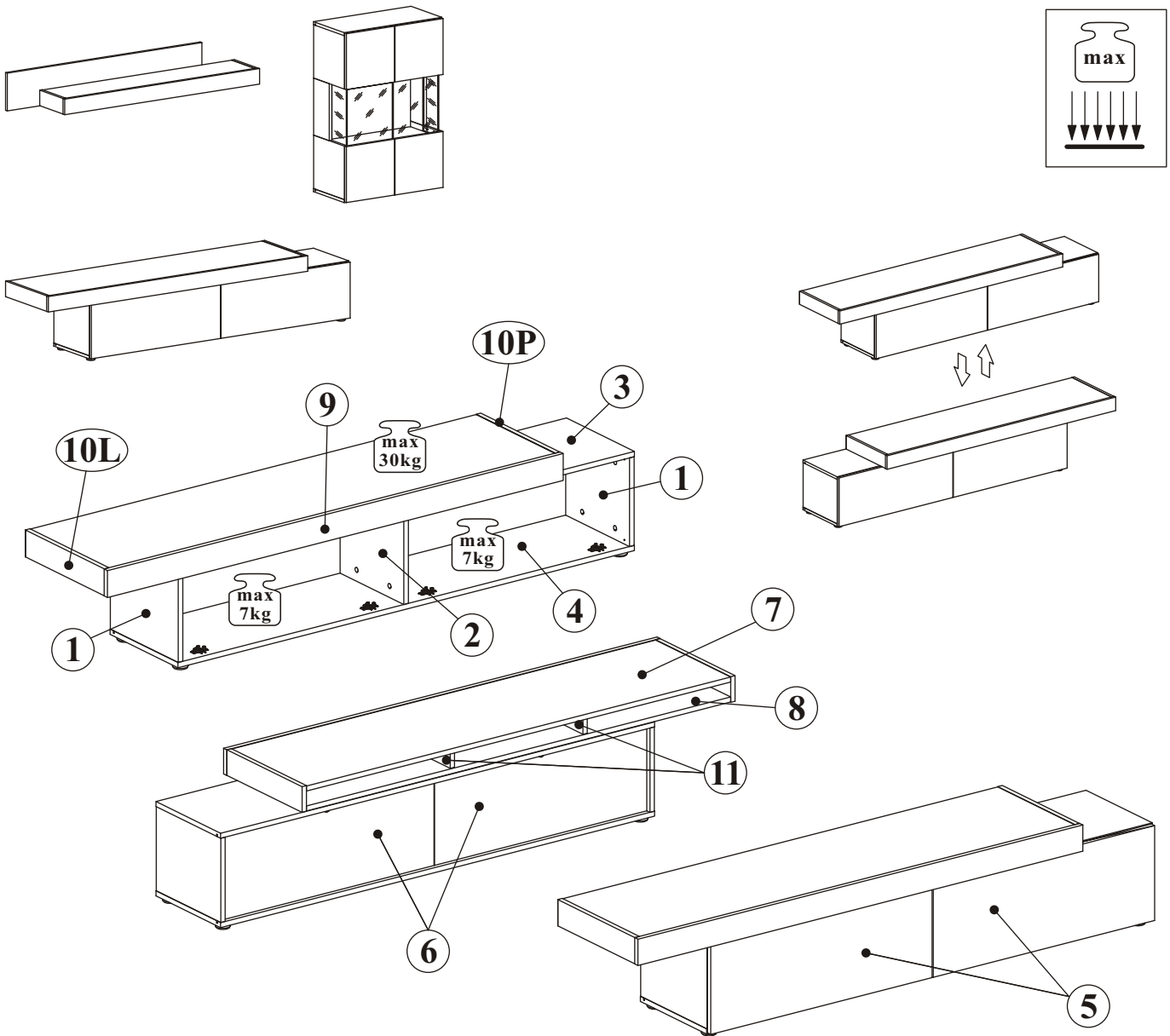


# CONCRET 20\_CR TYP 30

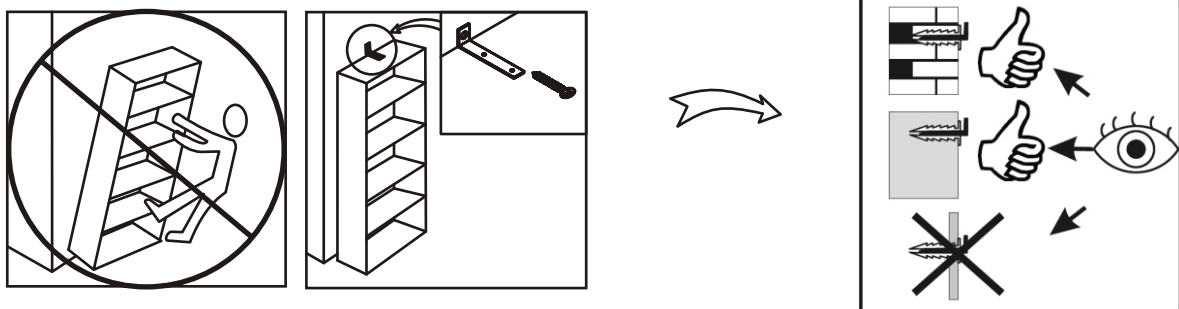
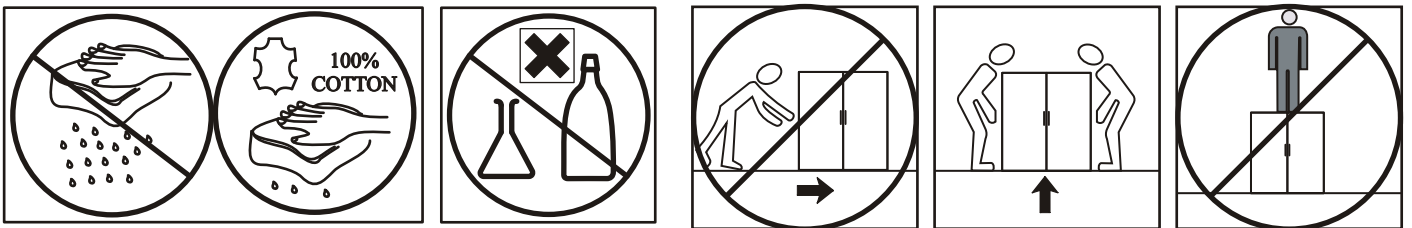
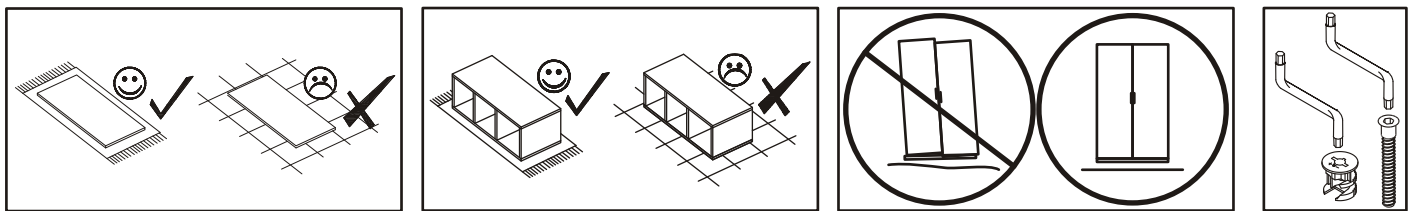
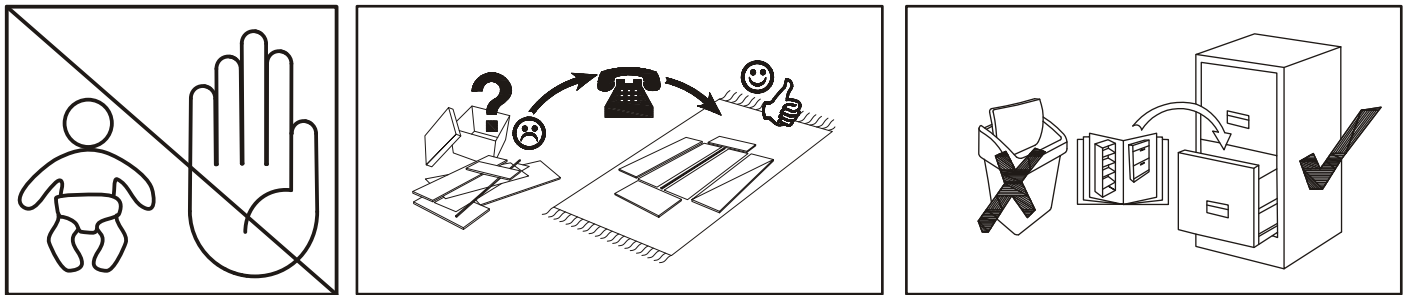
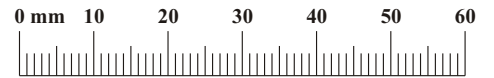


90 min

NO	Dim.			Col.-No	Qty
1	270	330	16	2	2
2	270	310	16	2	1
5	796	296	16	2	2
6	789	282	3	2	2
3	1602	330	16	1	1
4	1602	330	16	1	1
7	1566	384	16	1	1
8	1566	384	16	1	1
9	1600	82	16	1	1
10L	384	82	16	1	1
10P	384	82	16	1	1
11	374	48	16	1	2

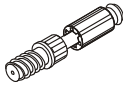
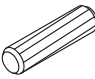

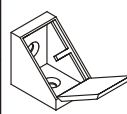

# CONCRET 20\_CR TYP 30

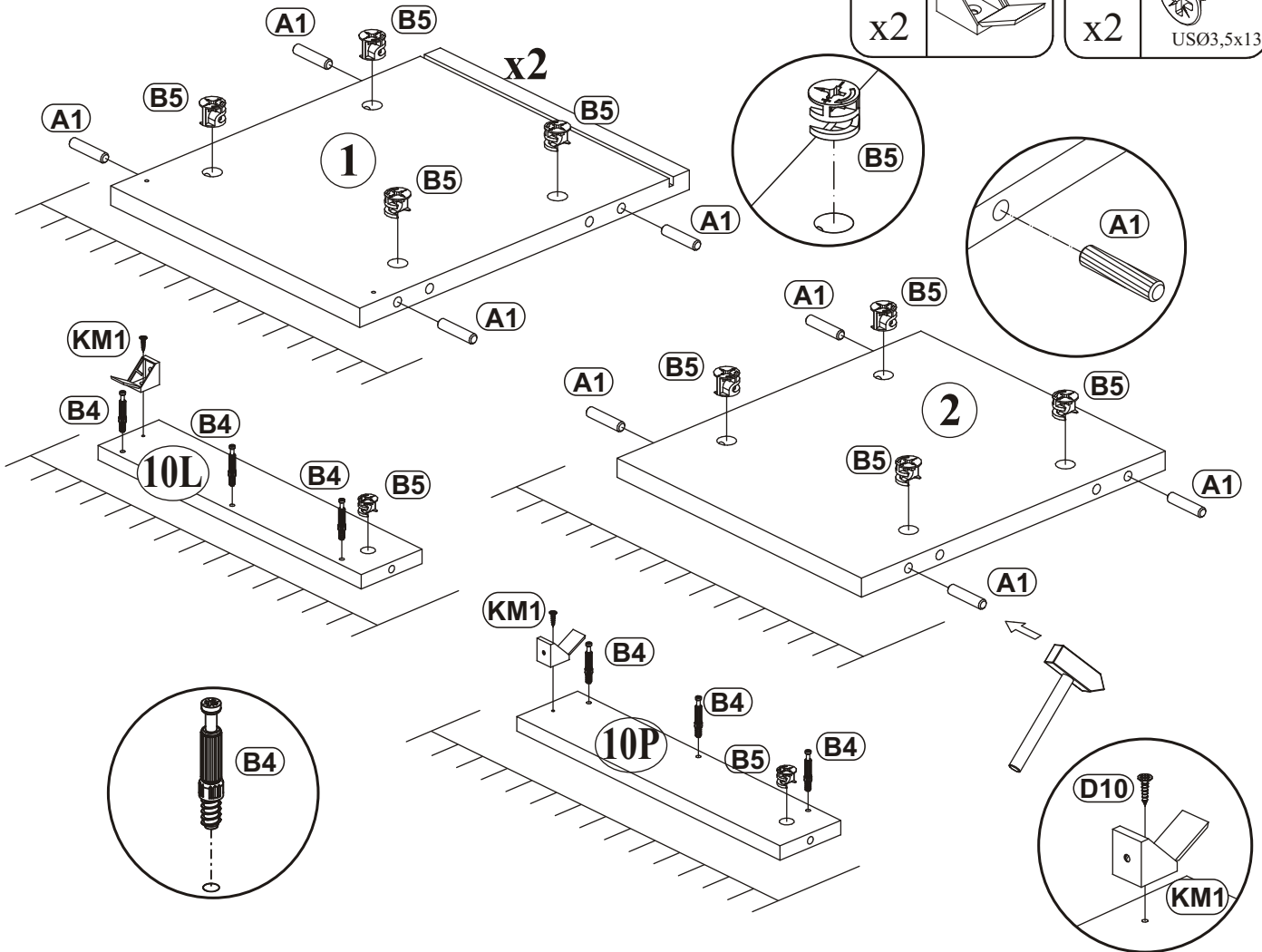
A1 x12 ø8x36	B4 x30	B5 x30 ø15x12	G5 x30	KR1 x2	D10 x18 USØ3,5x13
E1 x4 Ø26 H=0	E2 x4 H=0	G16 x2	UP13 x2 UPØ3x16	T1 x2	G2 x1
I11 x5 Ø45, h=15	L1 x2	S1 x12	UP6 x8 UPØ4x30	B11 x4 Ø7x50	KM1 x2
UP11 x5 UPØ4x20	BO1 x2				




# CONCRET 20\_CR TYP 30

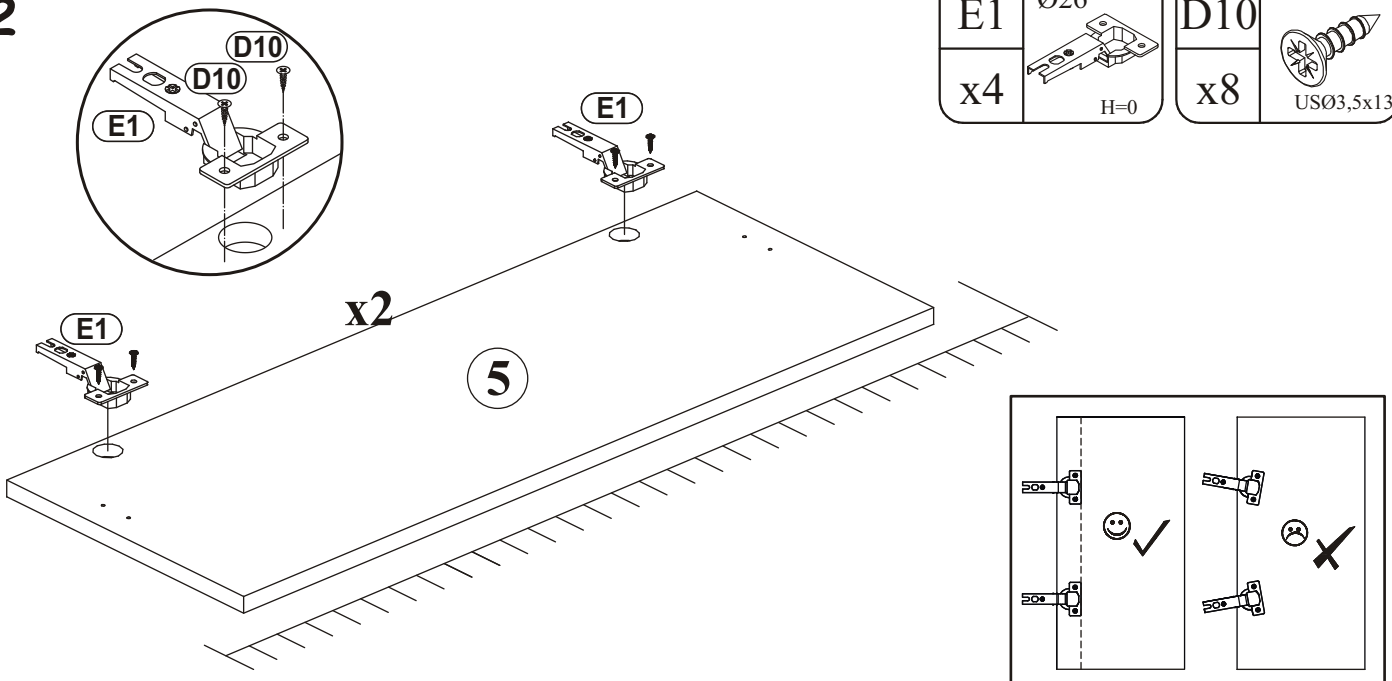
1

B4		A1		B5	
x6		x12	ø8x36	x14	ø15x12
KM1		D10			
x2		x2	US03,5x13		



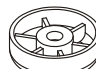
2


E1	Ø26	D10	
x4	H=0	x8	US03,5x13

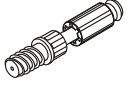


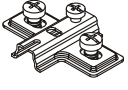
# CONCRET 20\_CR TYP 30

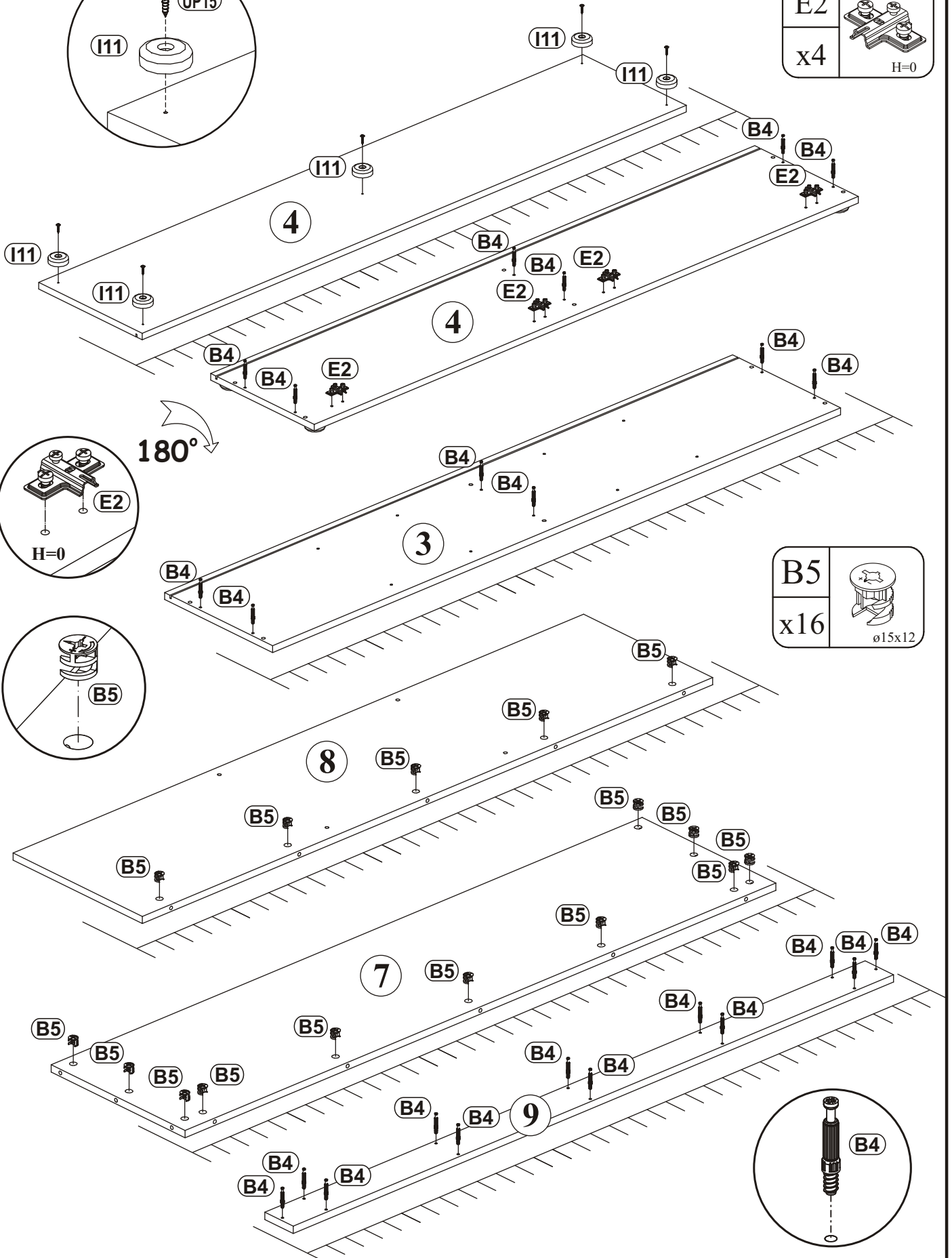
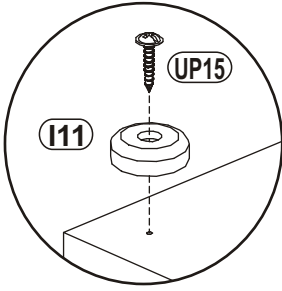
3


I11	
x5	Ø45, h=15

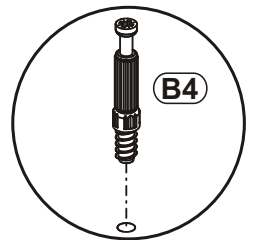
UP11	
x5	UPØ4x20

B4	
x24	

E2	
x4	H=0




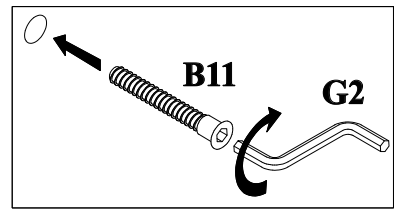
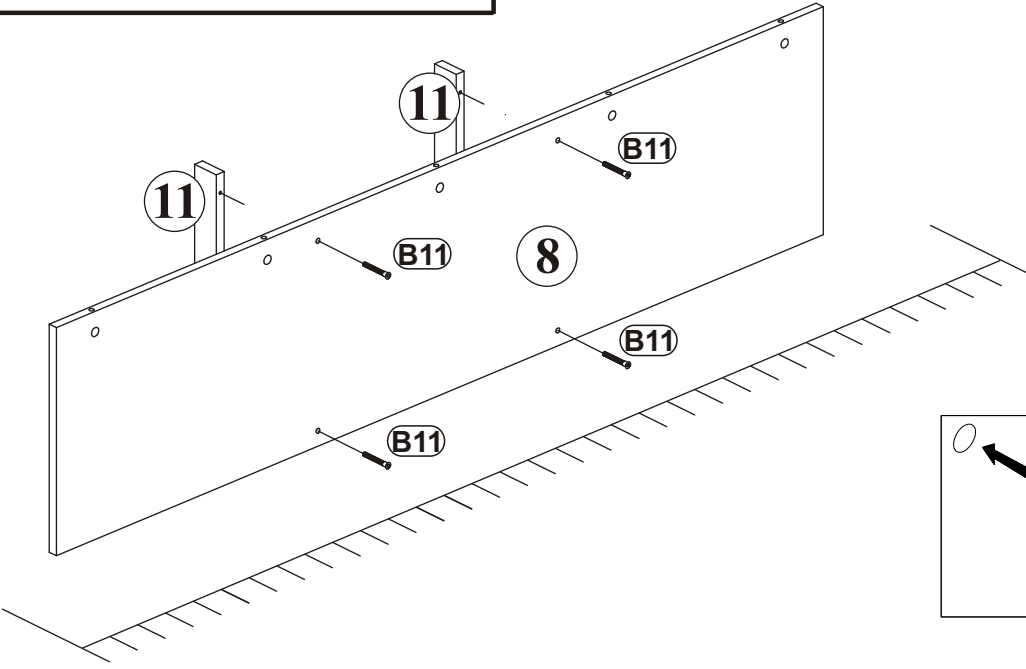
B5	
x16	Ø15x12




# CONCRET 20\_CR TYP 30

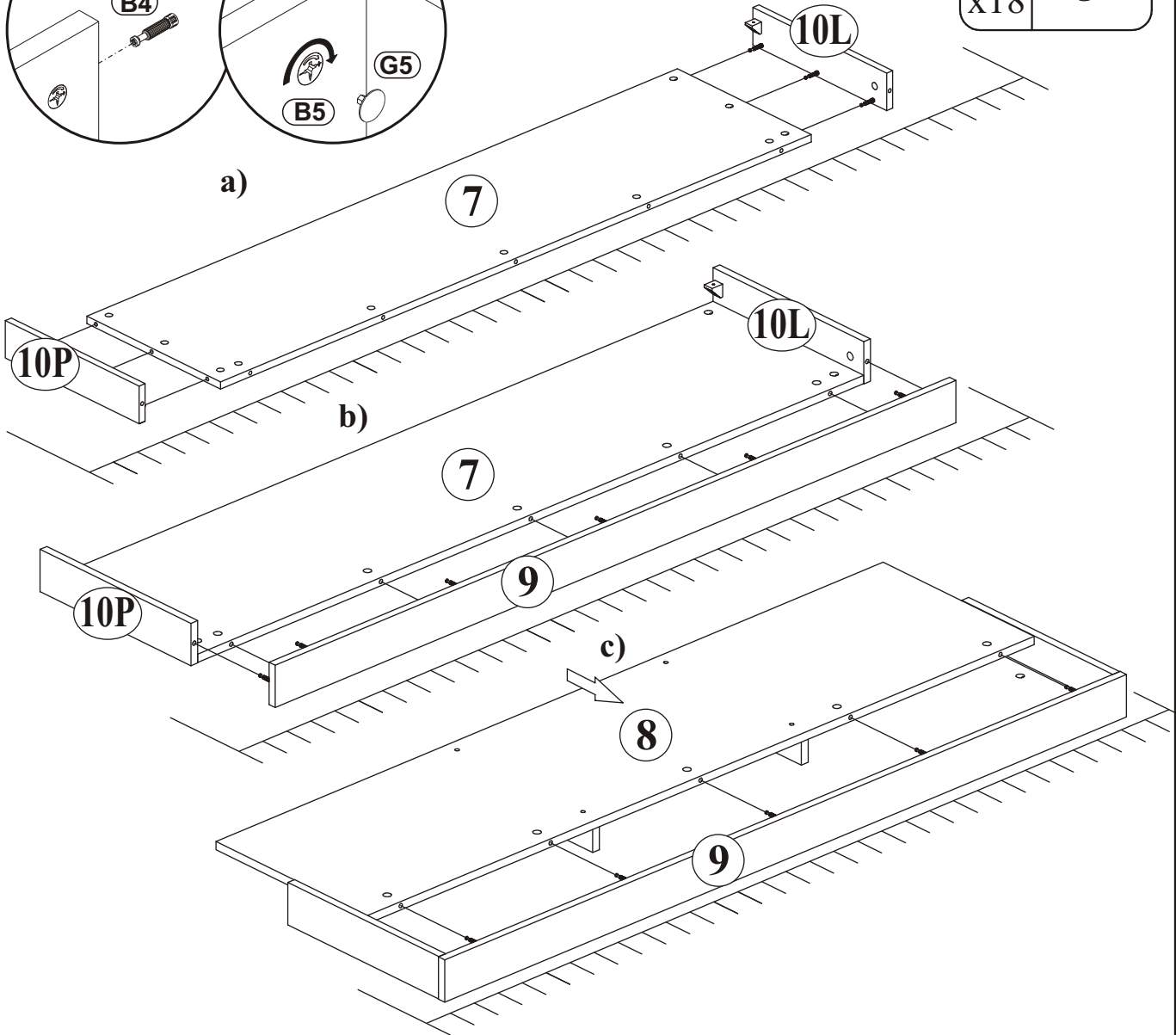
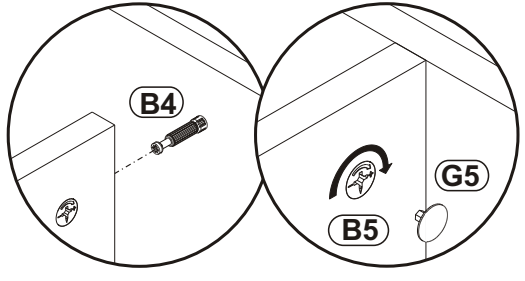
4

B11	
x4	Ø7x50

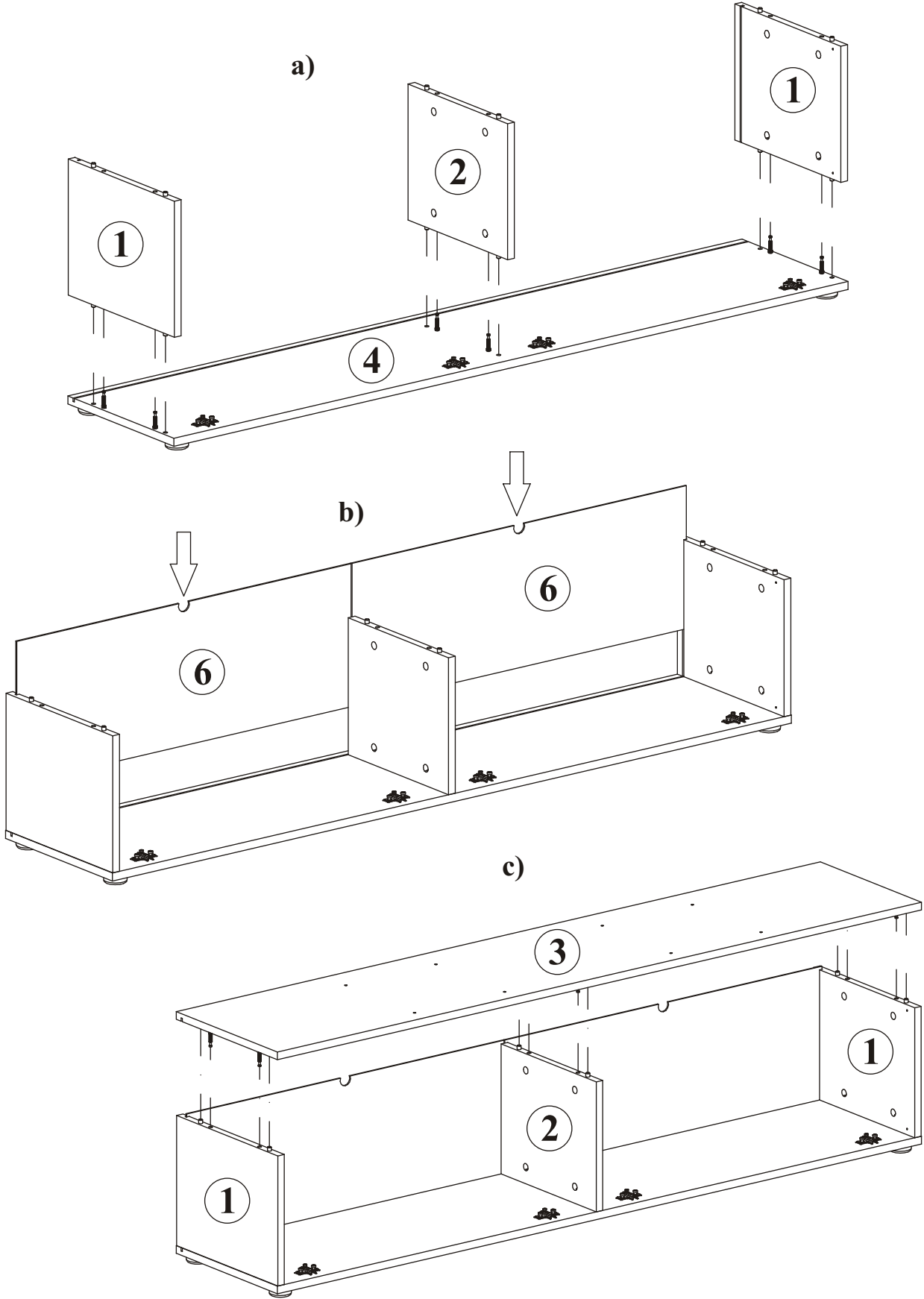
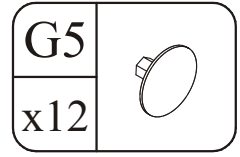
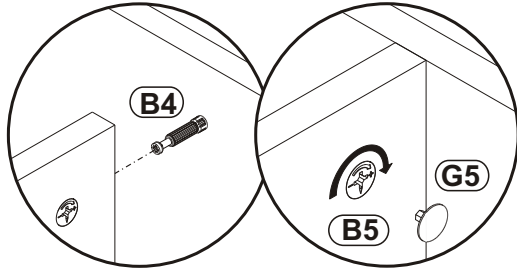


5

G5	
x18	

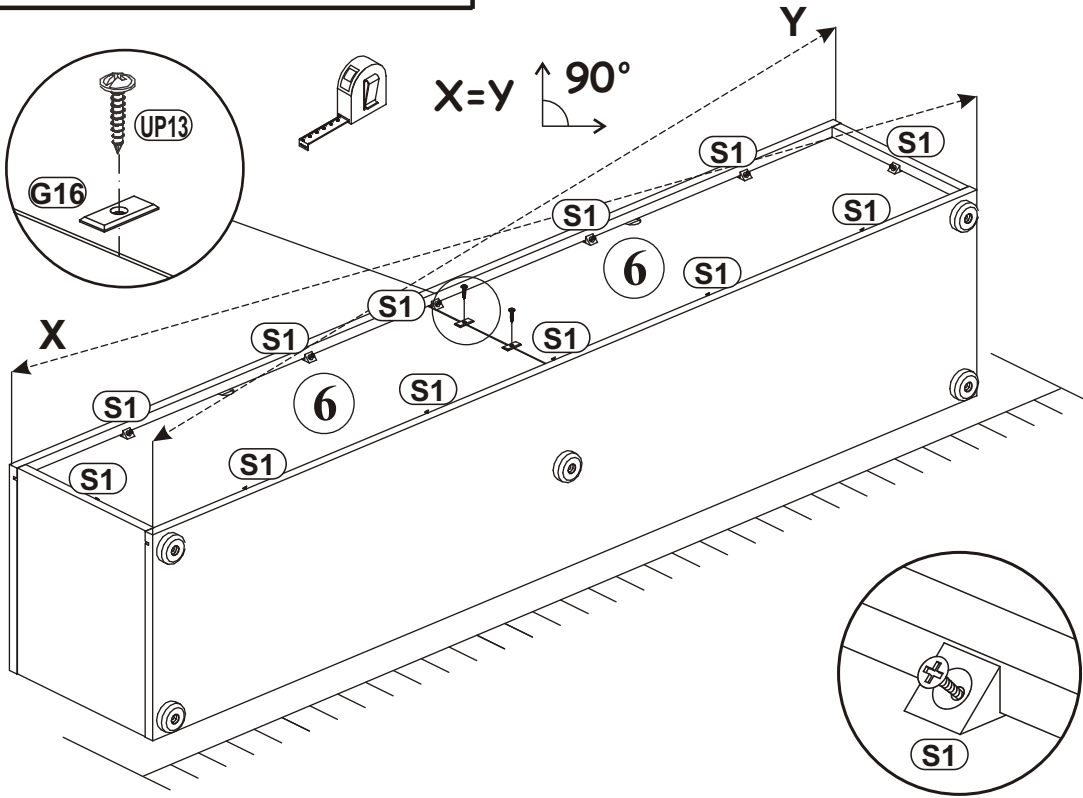


6



# CONCRET 20\_CR TYP 30

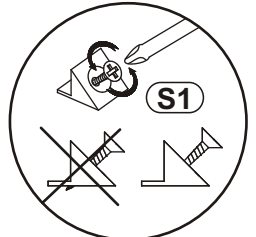
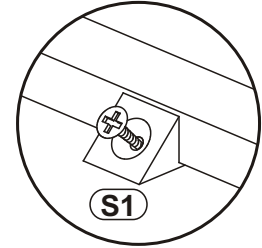
7



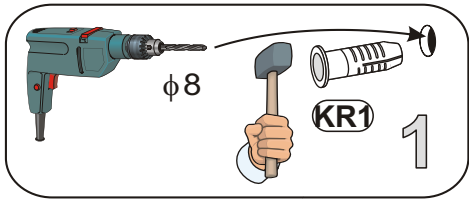
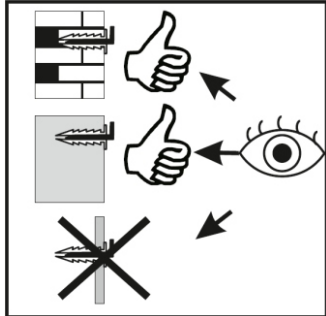
UP13	
x2	UPØ3x16

G16	
x2	

S1	
x12	



8

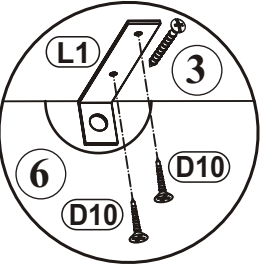
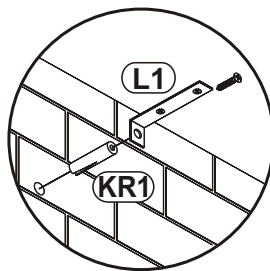
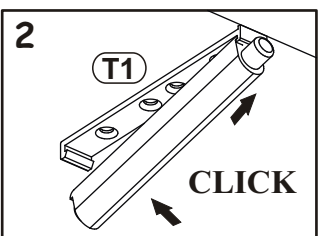
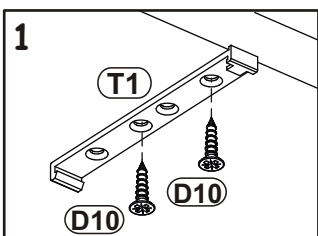
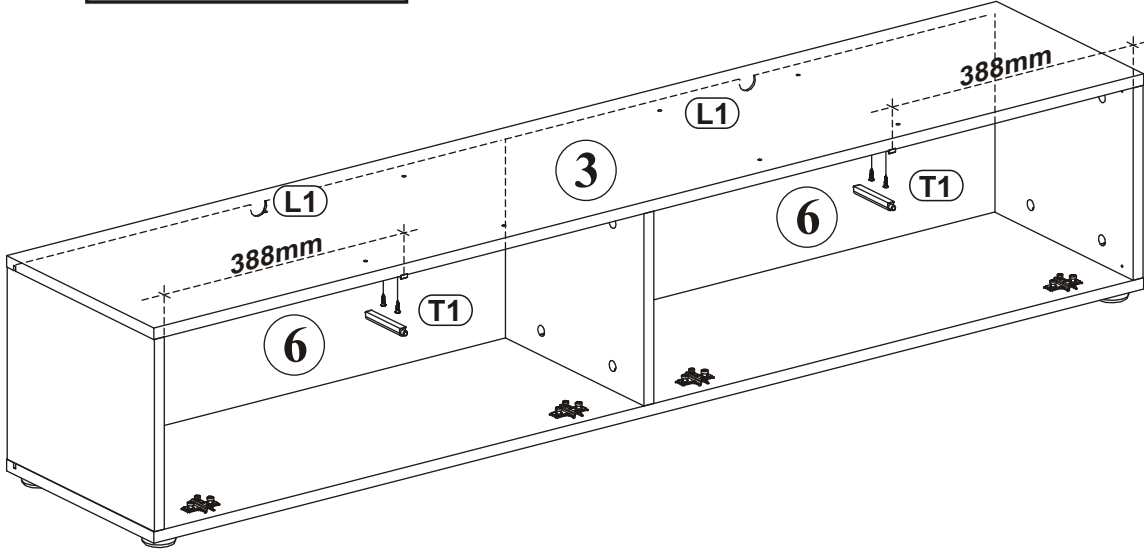


KR1	
x2	

D10	
x8	USØ3,5x13

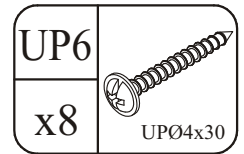
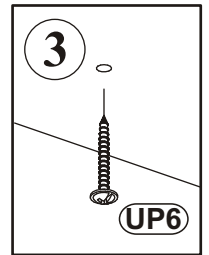
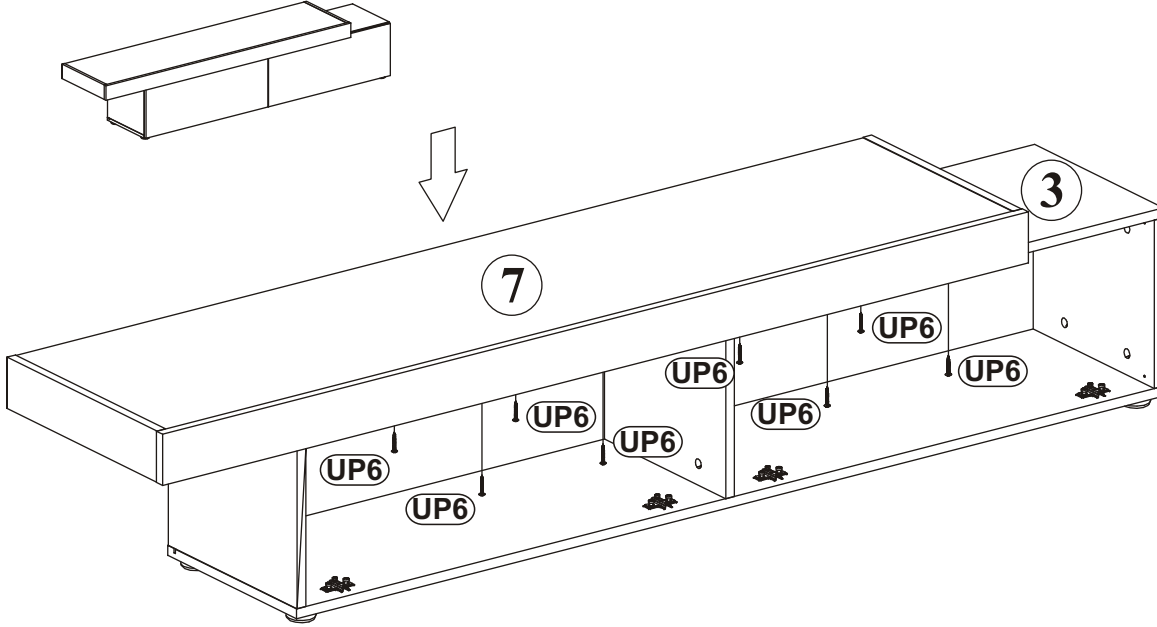
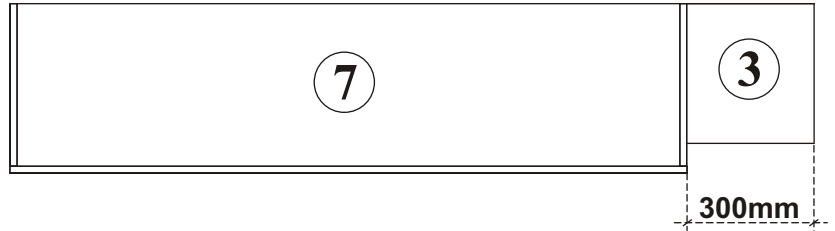
L1	
x2	

T1	
x2	

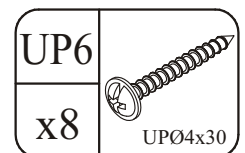
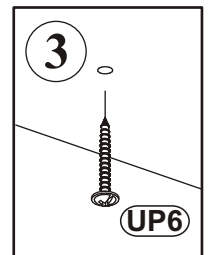
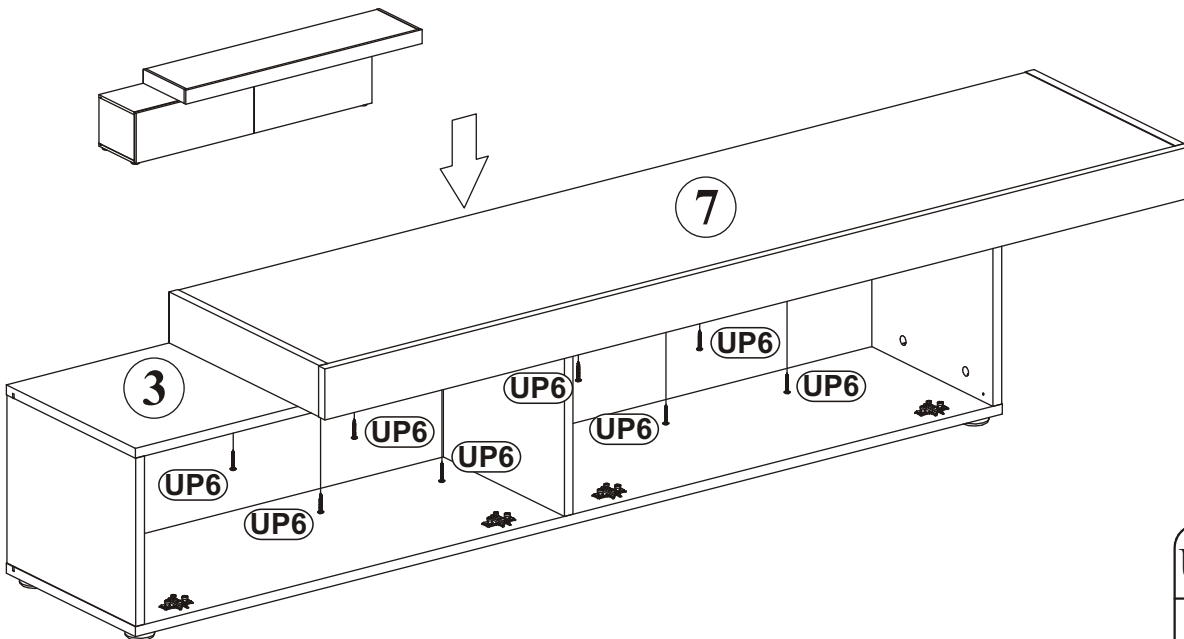


CONCRET 20\_CR TYP 30

9

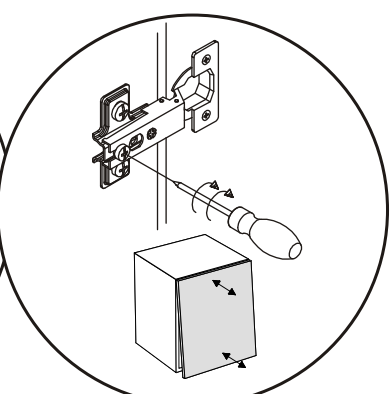
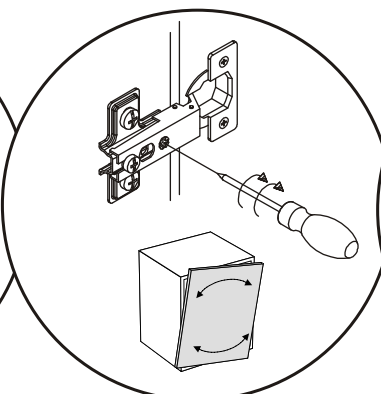
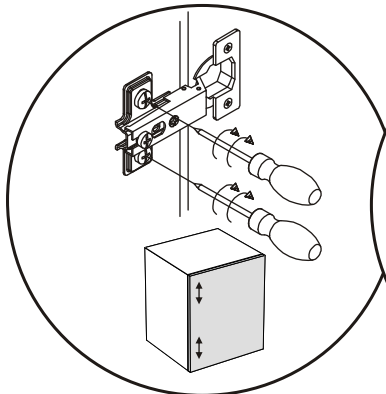
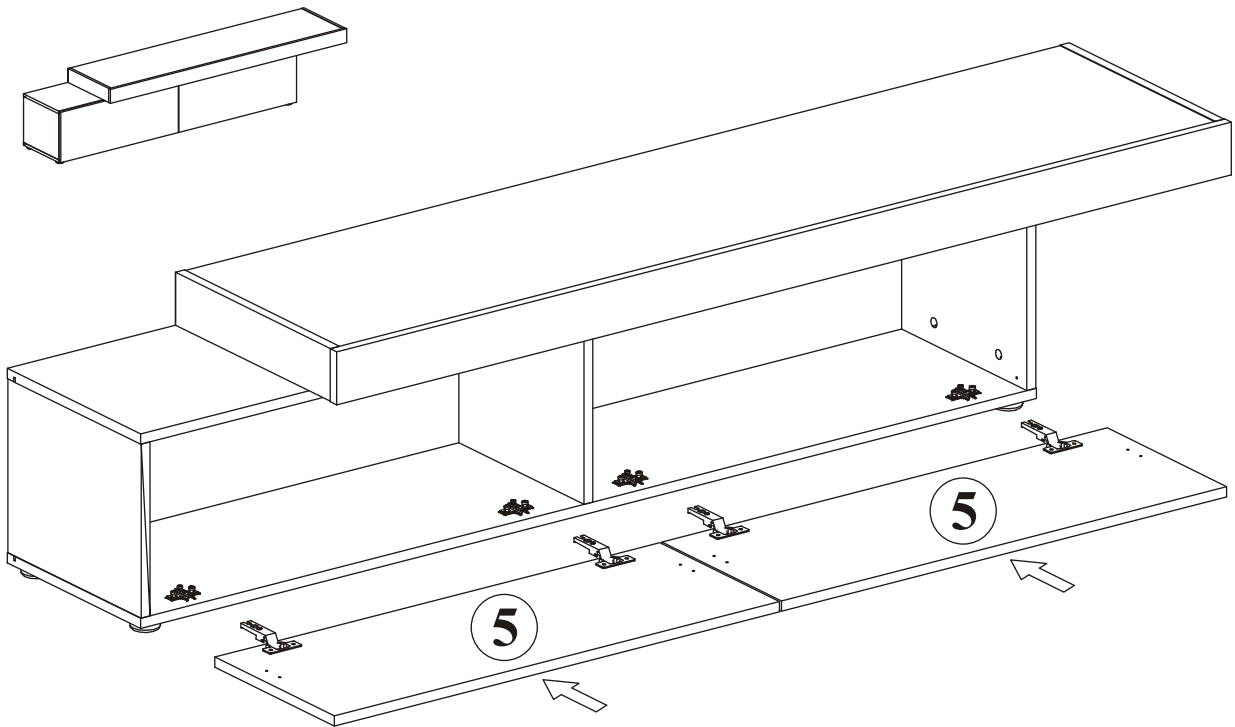
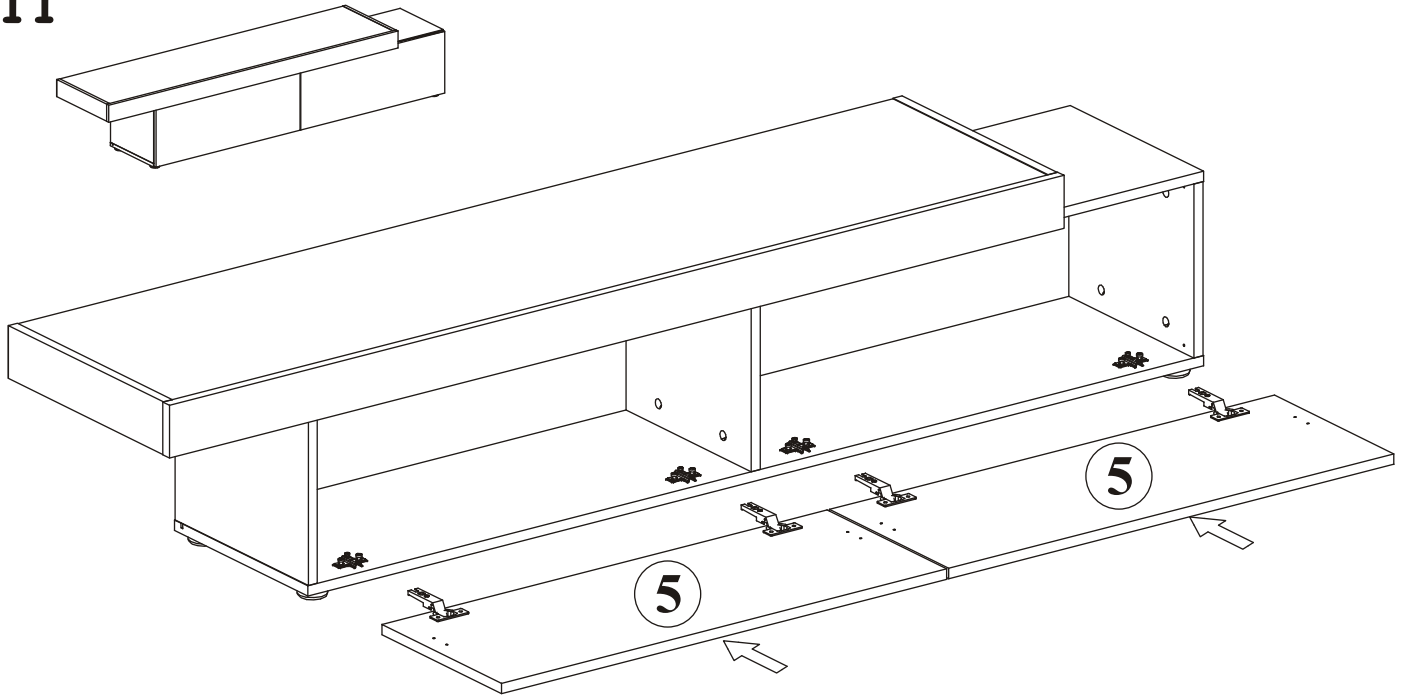


10





11



12

