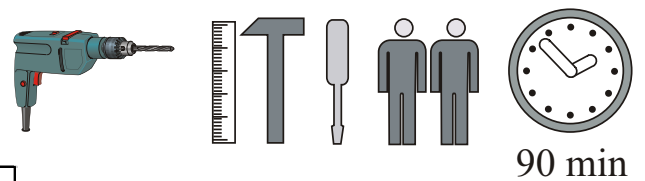
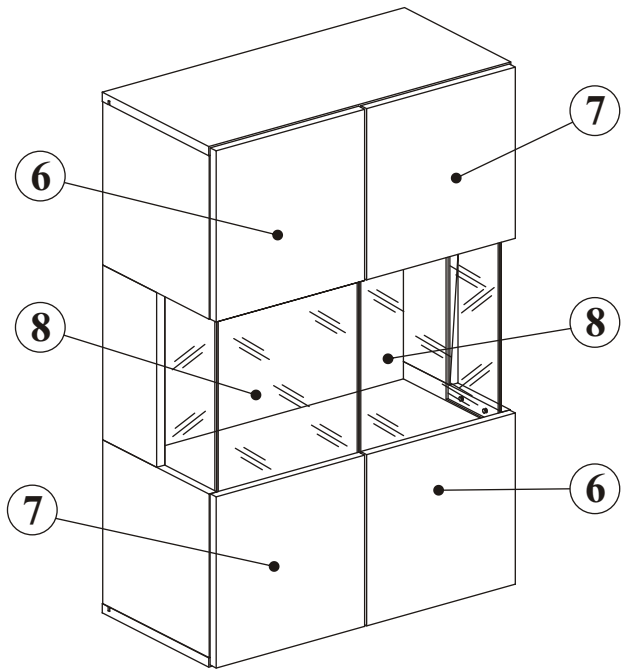
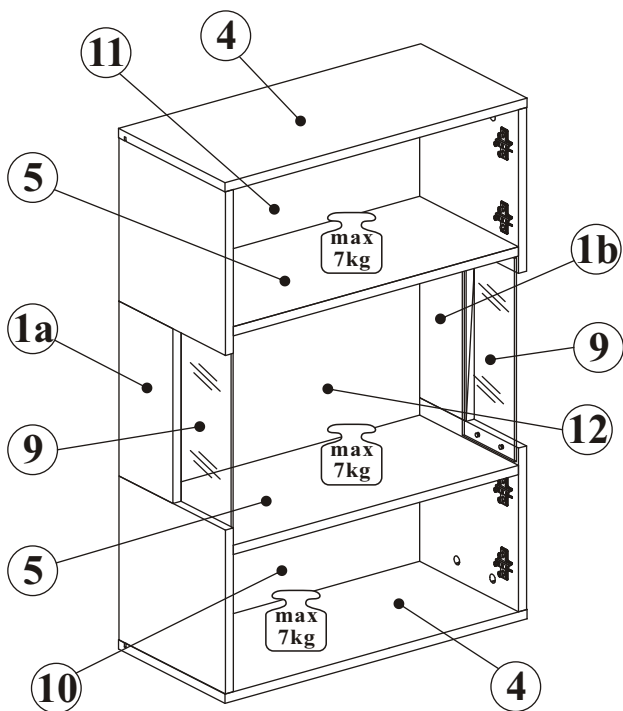
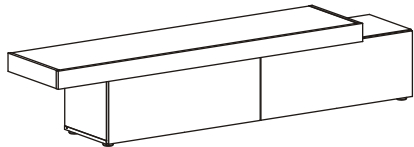
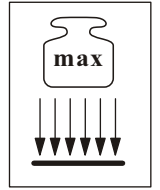
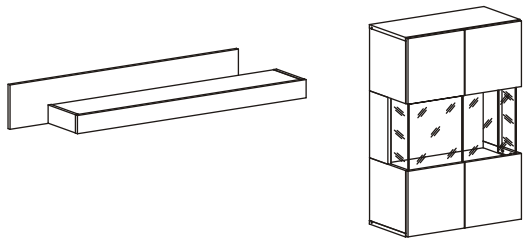


# CONCRET 20\_CR TYP 20

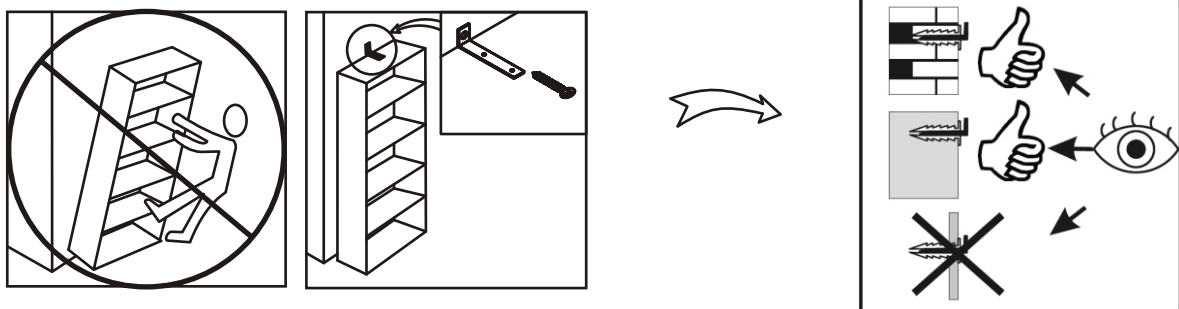
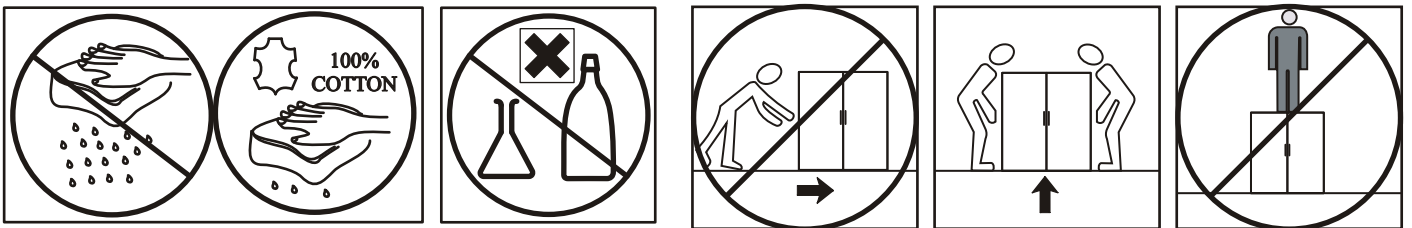
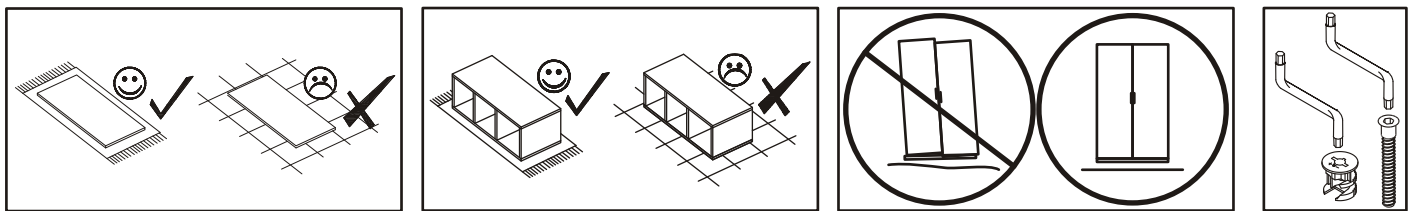
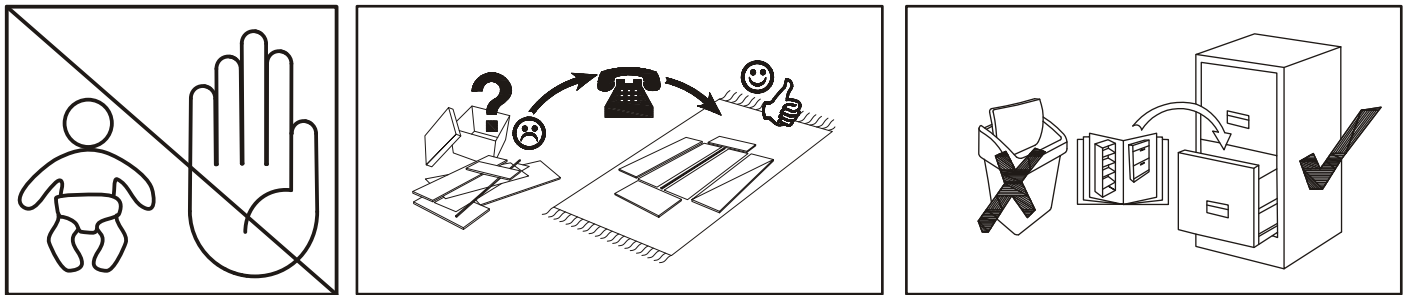
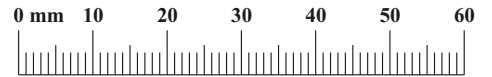


90 min

NO	Dim.			Col.-No	Qty
1a	868	286	16	1	1
1b	868	286	16	1	1
4	602	286	16	1	2
5	568	266	16	1	2
6	296	296	16	1	2
7	296	296	16	1	2
8	352	280	4	1	2
9	352	140	4	1	2
10	251	580	3	1	1
11	251	580	3	1	1
12	377	580	3	1	1

# CONCRET 20\_CR TYP 20

A1 x16 ø8x36	B4 x16	B5 x16 ø15x12	G5 x16	KR3 x2 ø10	D10 x20 USØ3,5x13
E1 x8 Ø26 H=0	E2 x8 H=0	P2 x20	UP13 x30 UPØ3x16	T1 x2	G2 x1
ZXL x1	ZXP x1	S1 x14	G16 x10		



# CONCRET 20\_CR TYP 20

1

B4	
x8	

A1	
x8	ø8x36

B5	
x8	ø15x12

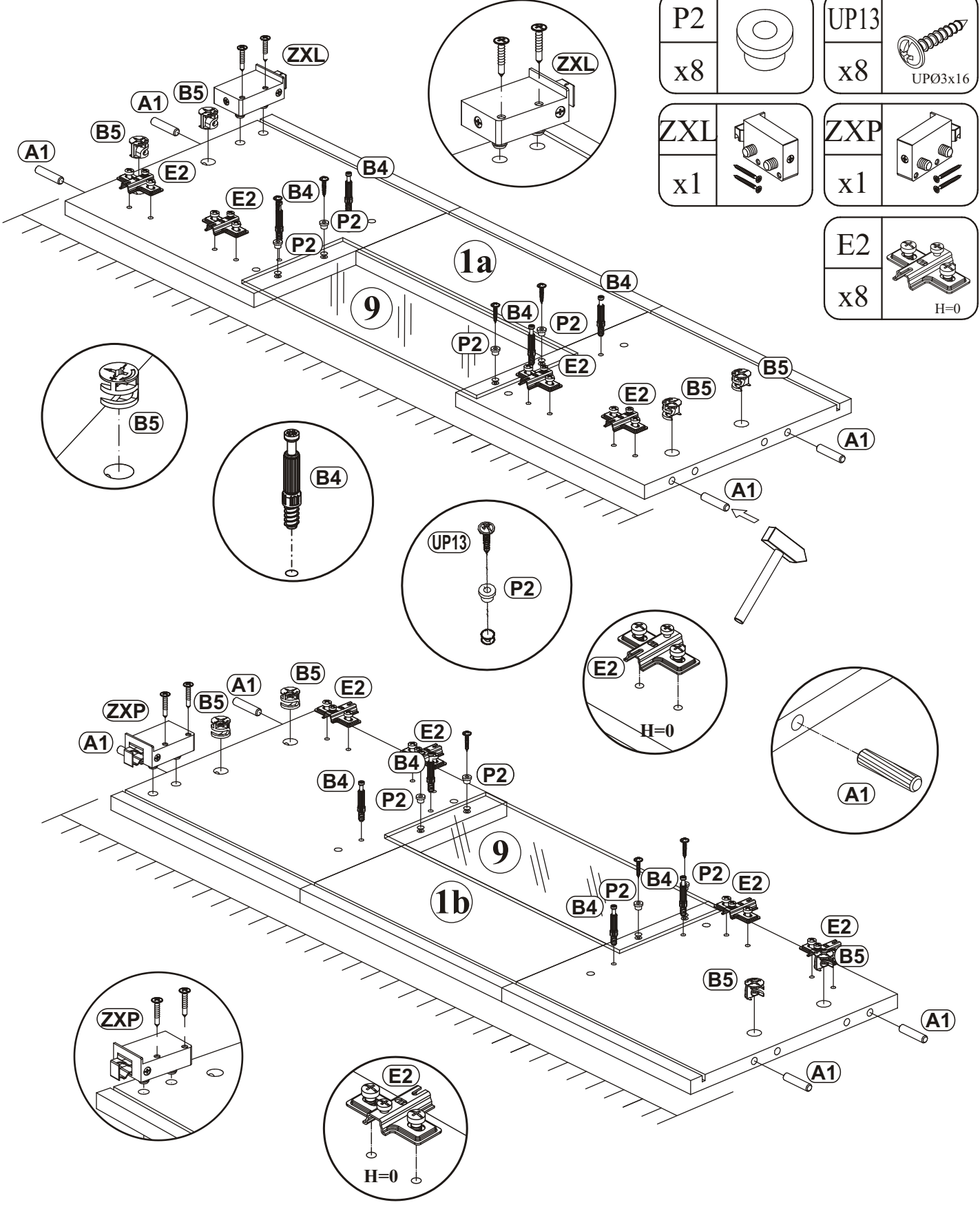
P2	
x8	

UP13	
x8	UPØ3x16

ZXL	
x1	

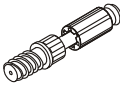
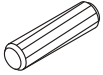

ZXP	
x1	

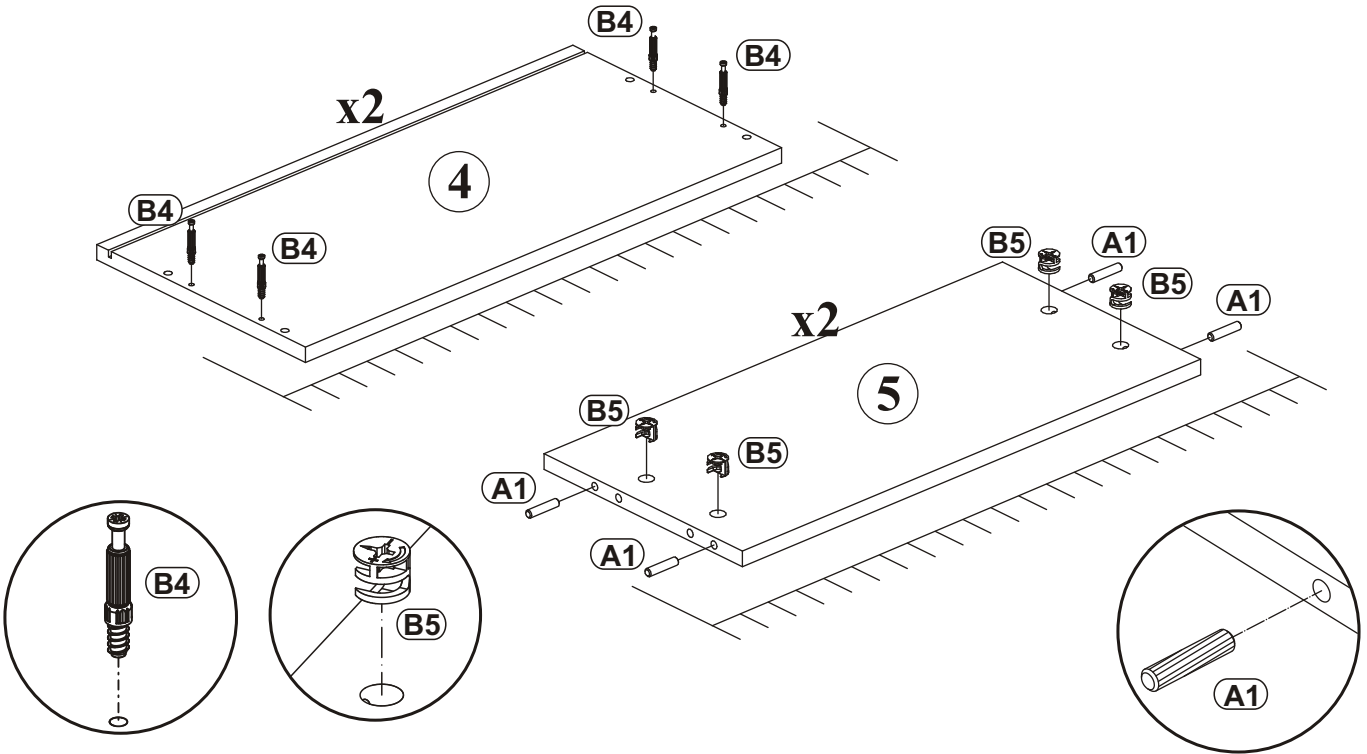
E2	
x8	H=0



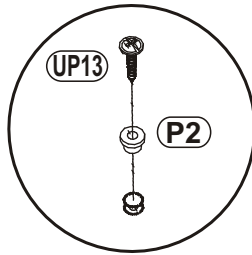
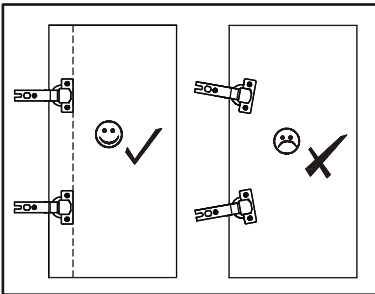
# CONCRET 20\_CR TYP 20



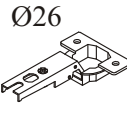

2

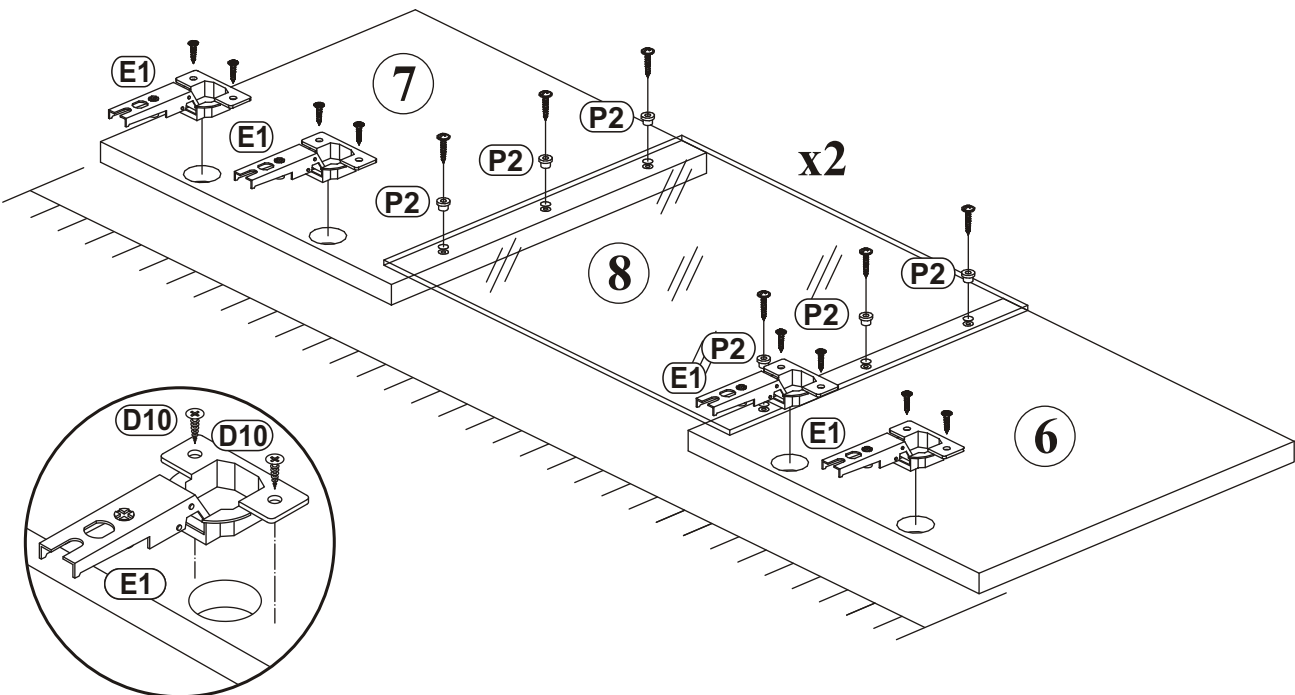
B4		A1		B5	
x8		x8	ø8x36	x8	ø15x12



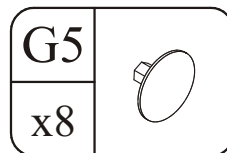
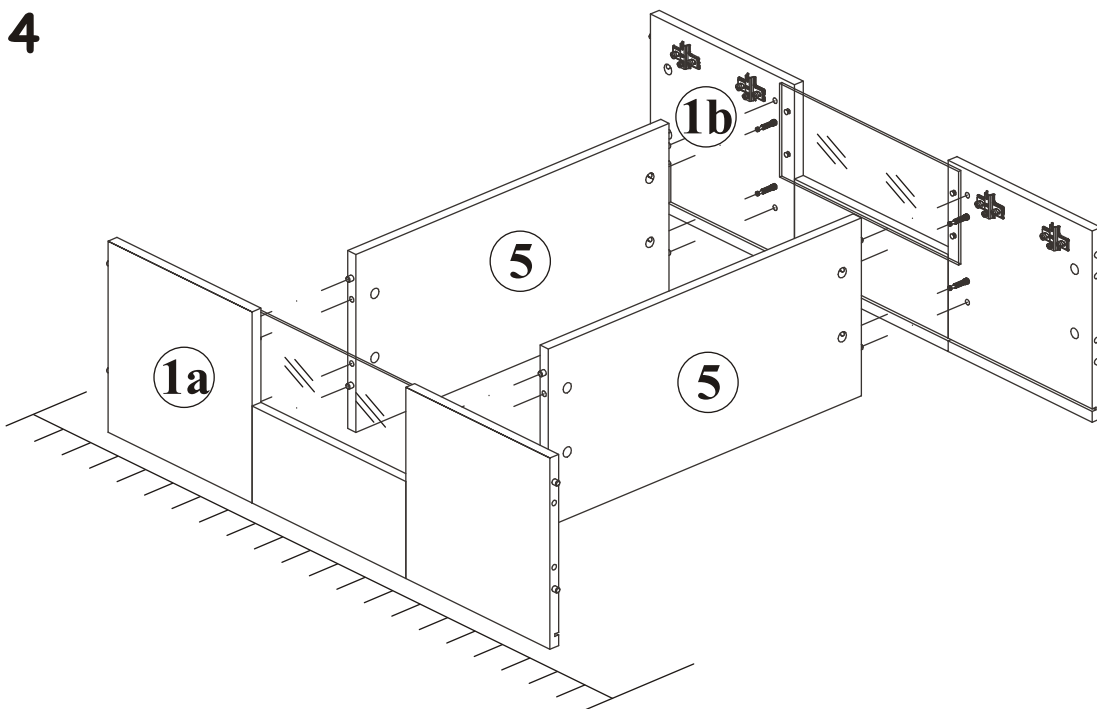
3



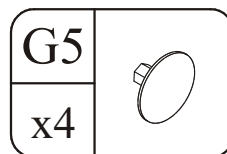
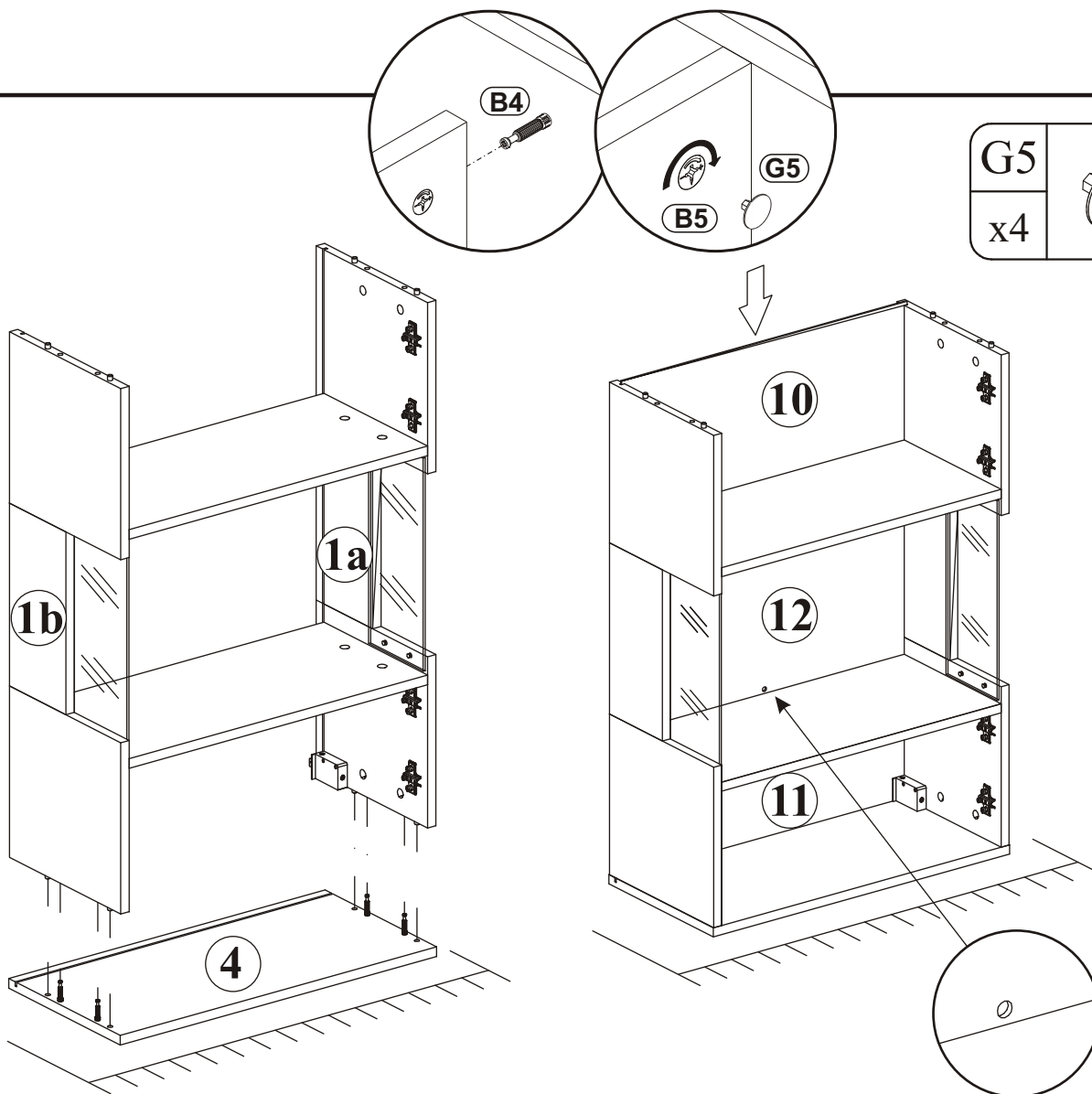
P2		UP13	
x12		x12	UPØ3x16
E1		D10	
x8	Ø26 H=0	x16	USØ3,5x13



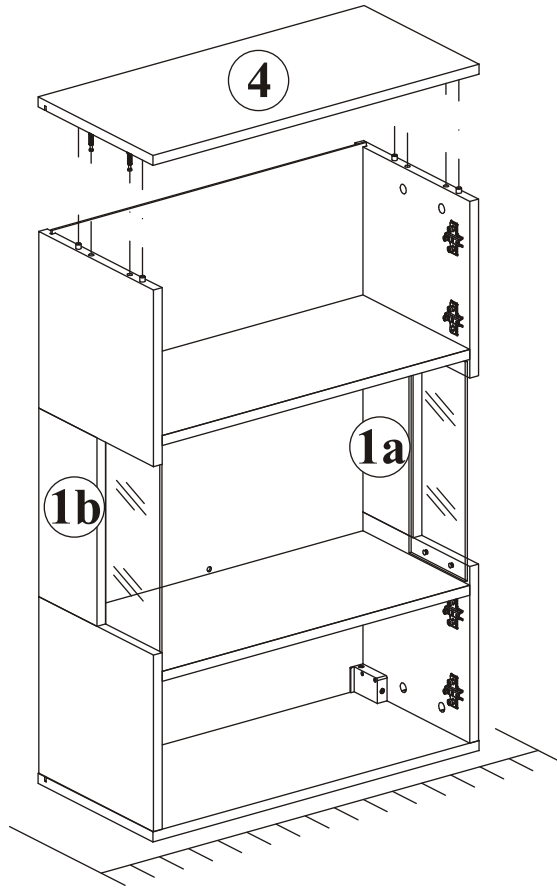
4



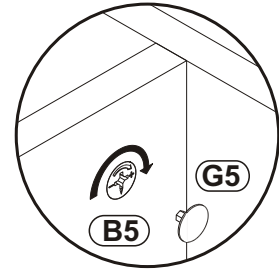
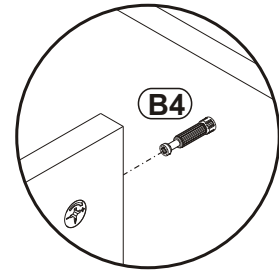
5



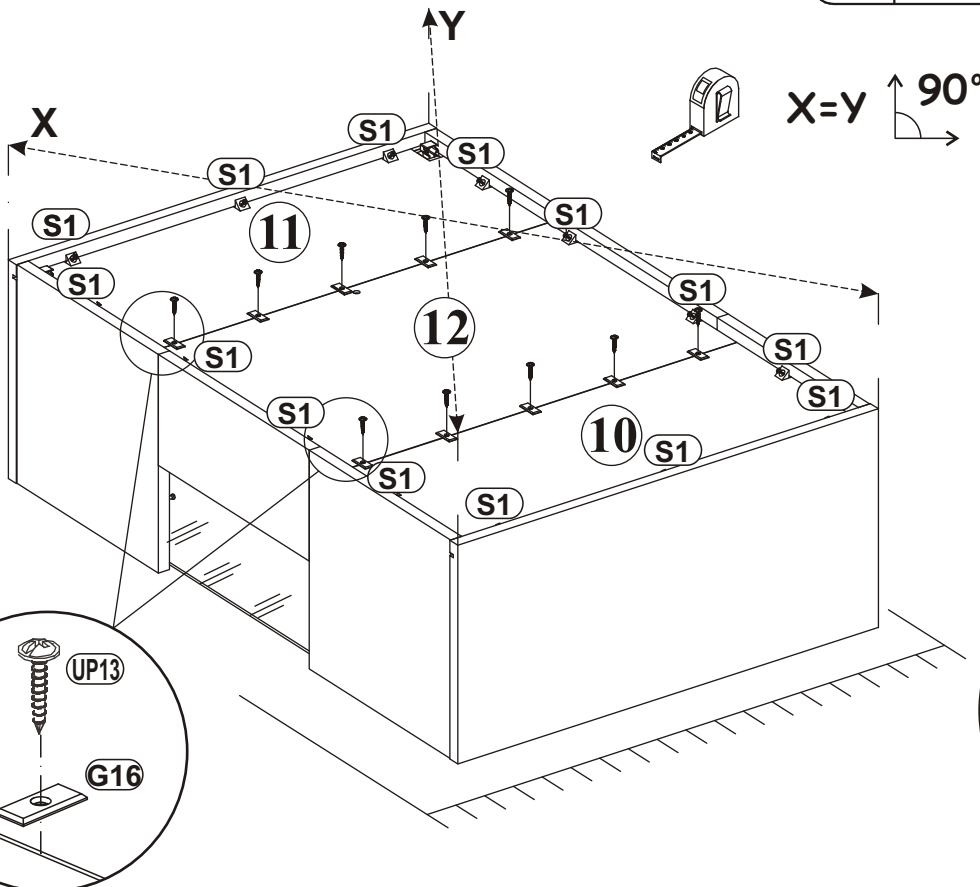
6



G5	
x4	



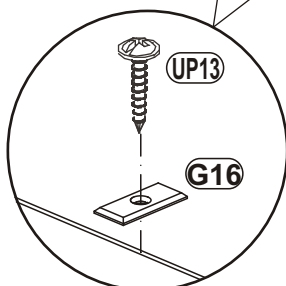
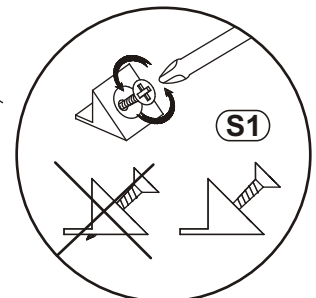
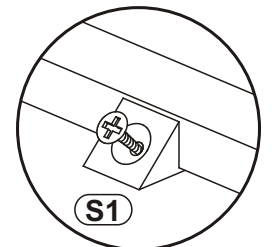
7



S1	
x14	

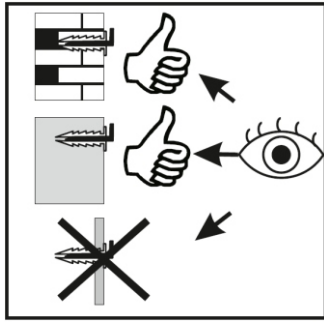
UP13	
x10	UPØ3x16

G16	
x10	

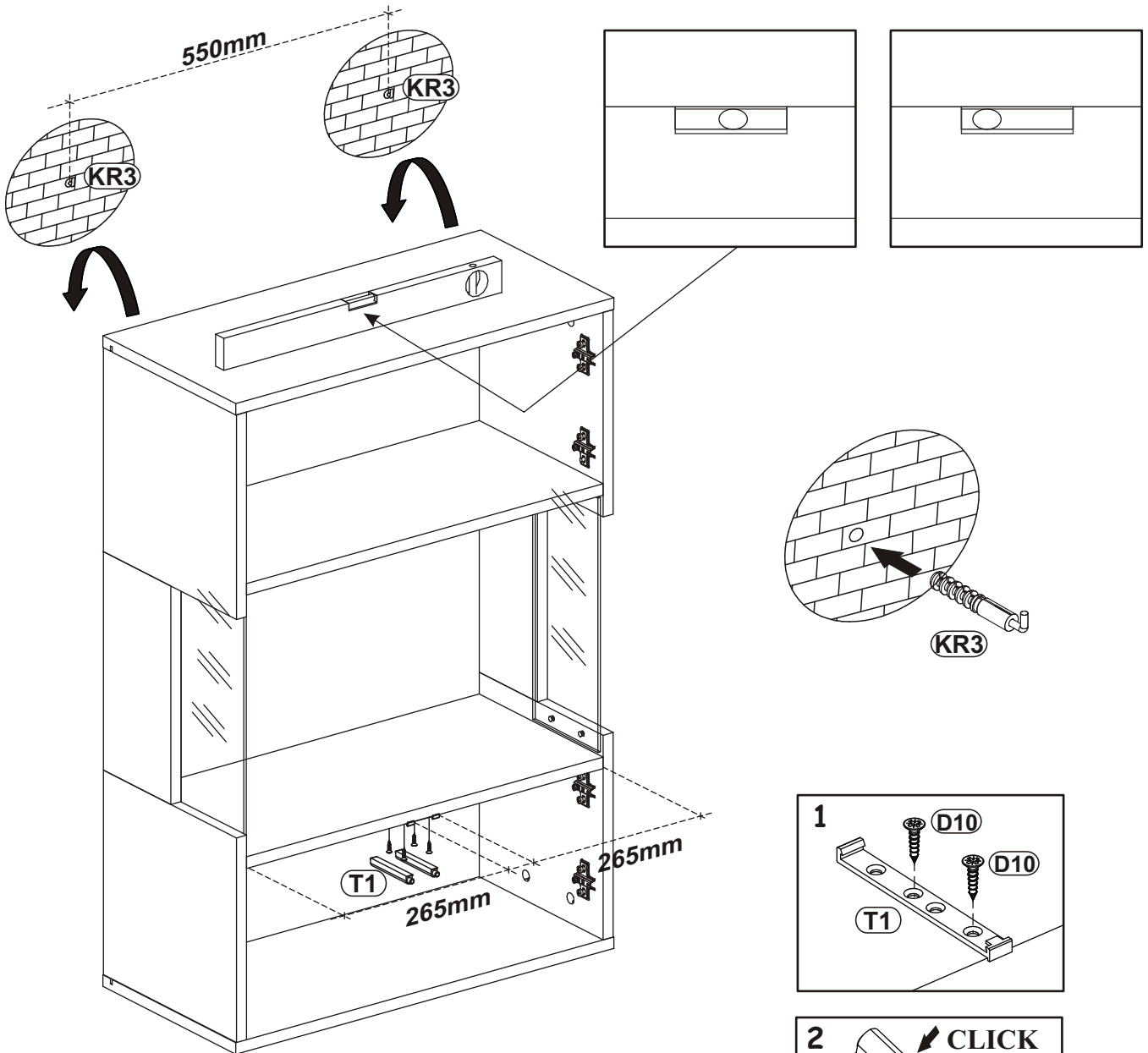
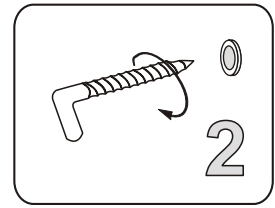
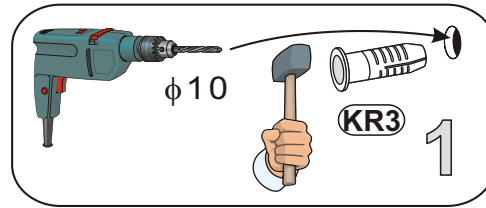


# CONCRET 20\_CR TYP 20

7



T1		D10		KR3	
x2		x4	USØ3,5x13	x2	Ø10



8

