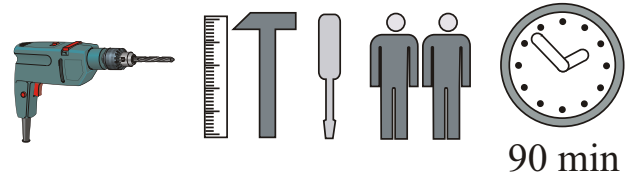
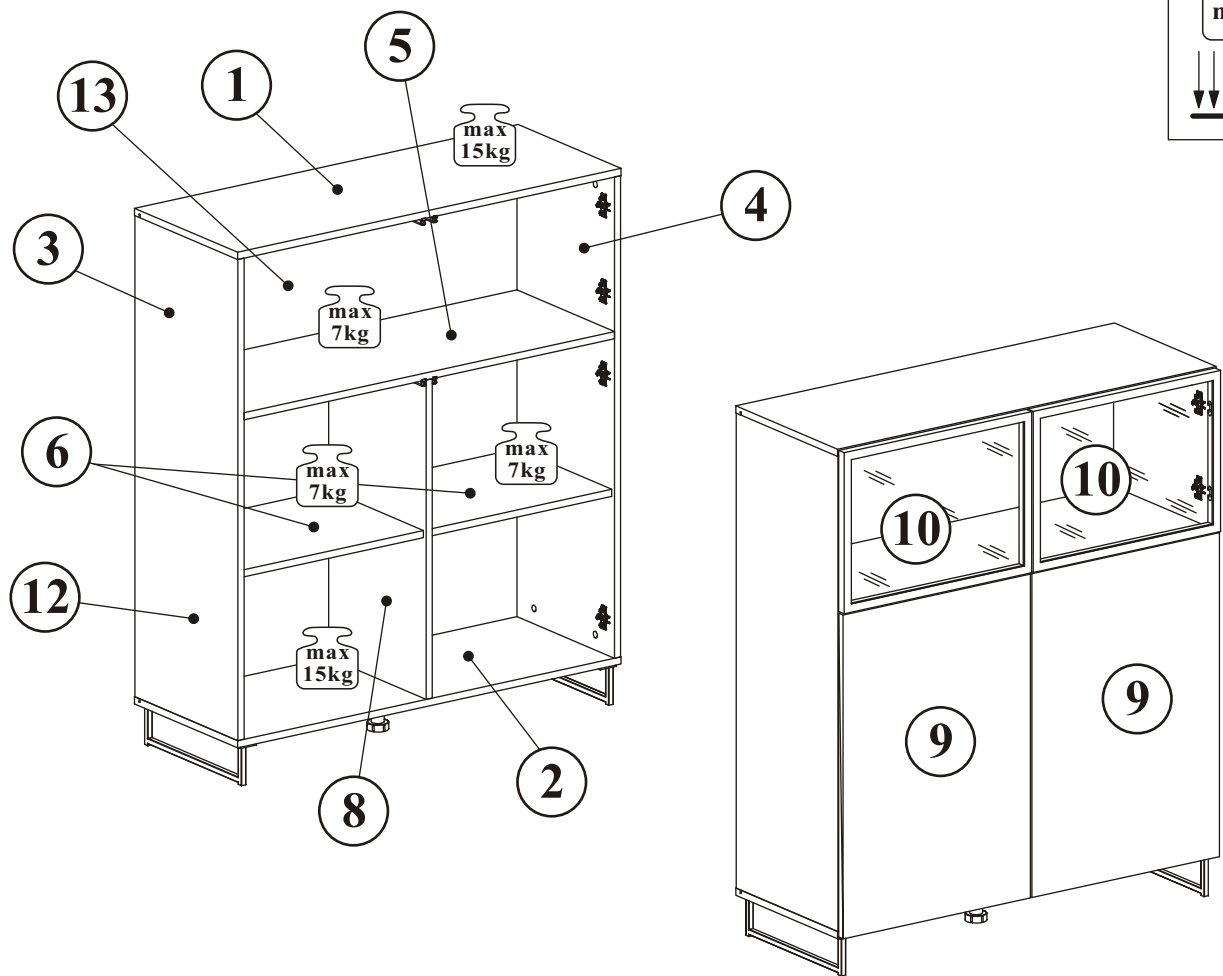


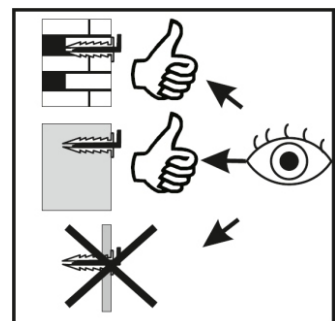
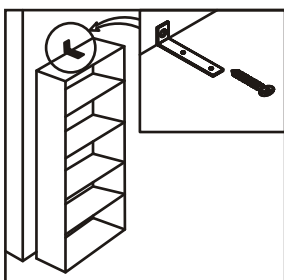
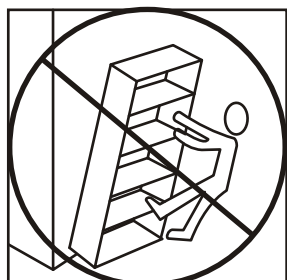
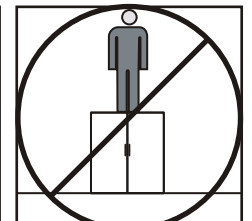
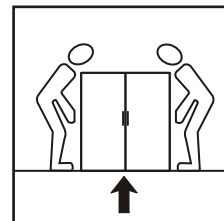
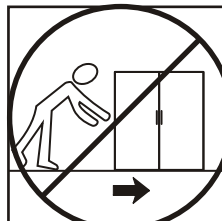
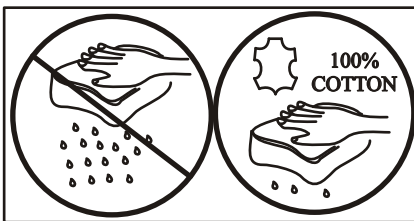
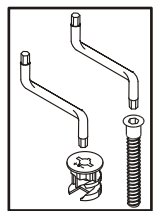
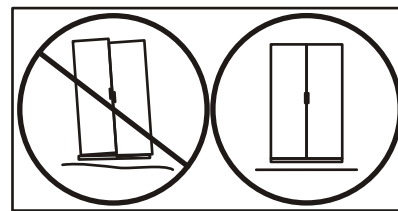
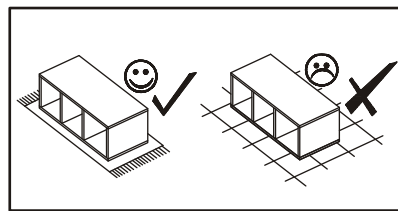
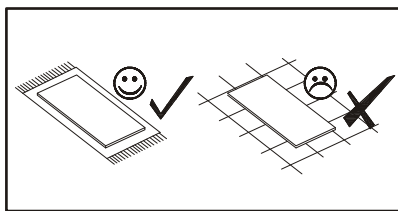
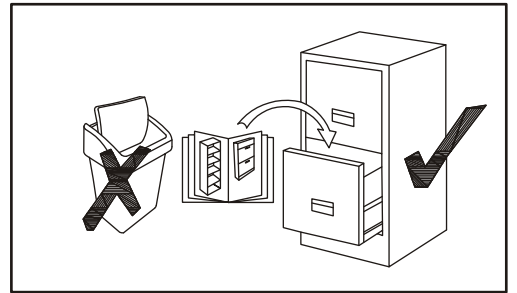
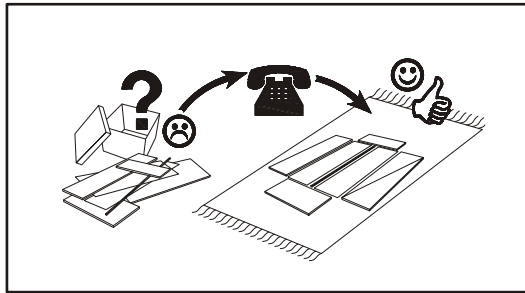
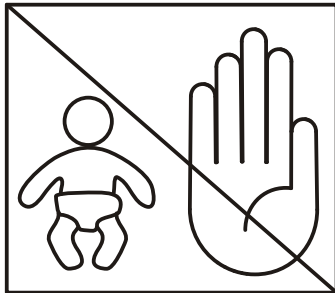
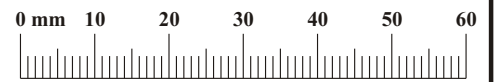
PLANK 29_PNWSN



NO	Dim.			Col-No	Qty
1	1002	376	16	2	1
2	1002	376	16	2	1
3	1074	376	16	2	1
4	1074	376	16	2	1
5	968	356	16	2	1
6	476	346	16	1	2
8	713	356	16	1	1
9	496	732	16	1	2
10	496	364	21	1	2
12	490	727	3	1	2
13	980	359	3	2	1

PLANK 29_PNWSN

A1 x16 ø8x36	B4 x16	B5 x16 ø15x12	G5 x16	D30 x4 USØ3,5x16	I12 x1 L-100 mm.
S1 x16	E30 x4 H=0	E4 x4 H=2	E2 x4 H=0	E21 x4 Ø35 H=0	G7 x8
UP13 x10 UPØ3x16	D10 x18 USØ3,5x13	KR1 x1	L1 x1	LED x2	G2 x1
T1 x4	G16 x10	ST6 x2	UP5 x16 UPØ4x16		



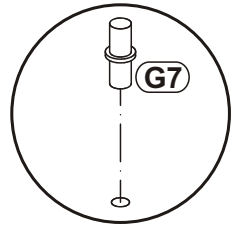
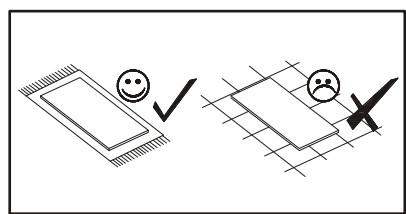
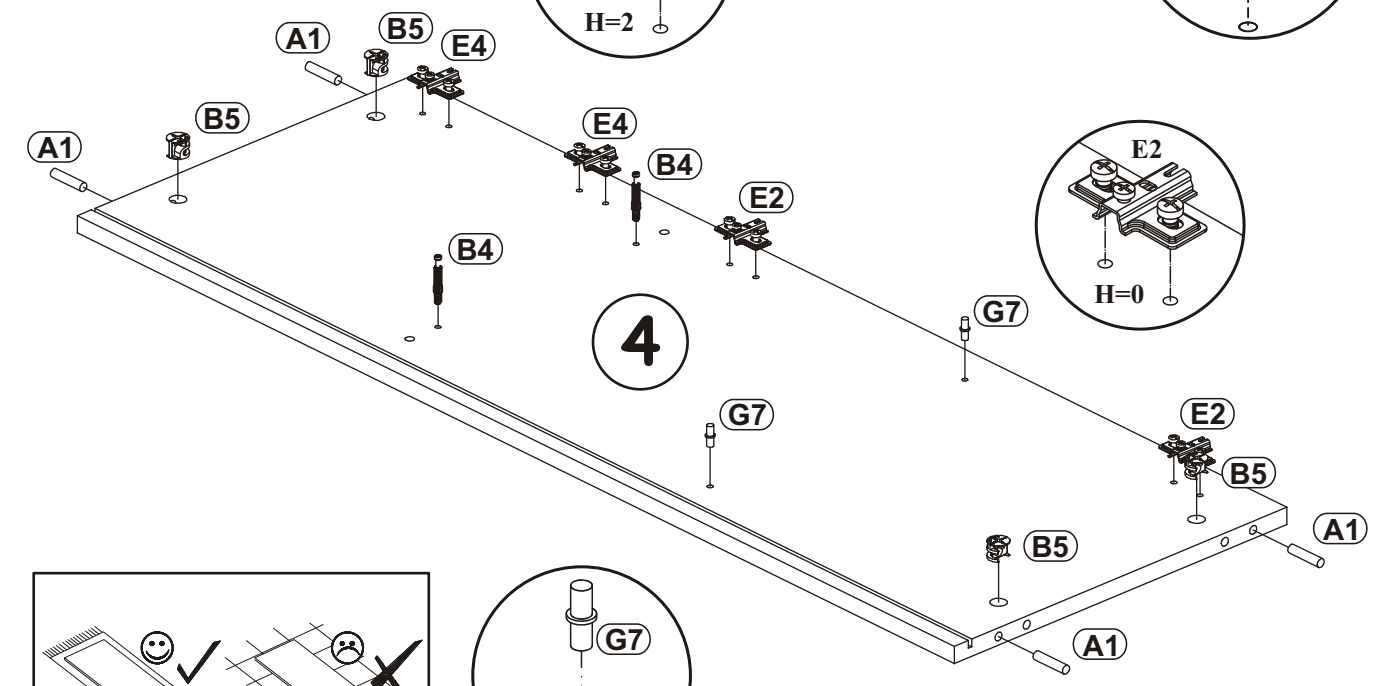
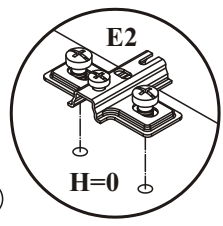
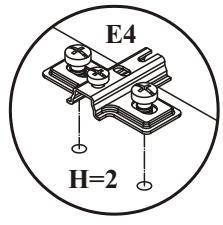
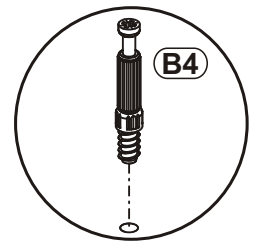
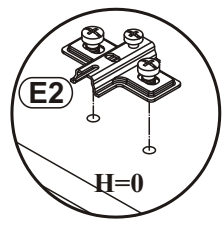
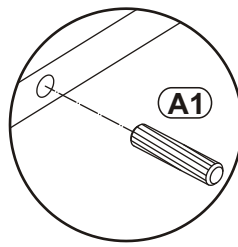
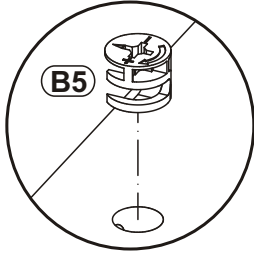
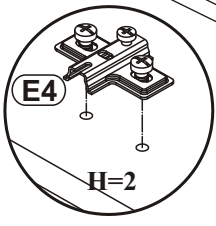
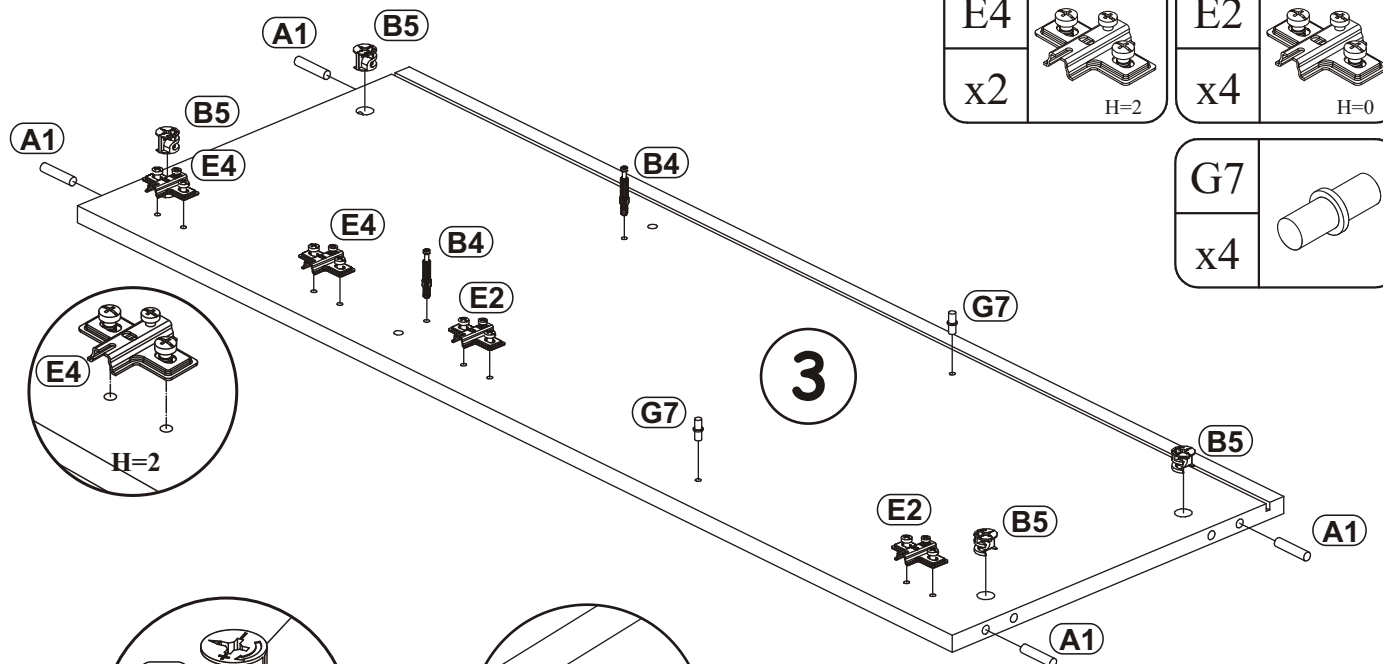
PLANK 29_PNWSN

1

B4		B5		A1	
x4		x8	ø15x12	x8	ø8x36

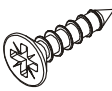
E4		E2	
x2	H=2	x4	H=0


G7	
x4	

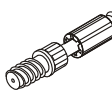


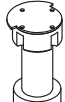
PLANK 29_PNWSN

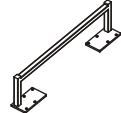
2

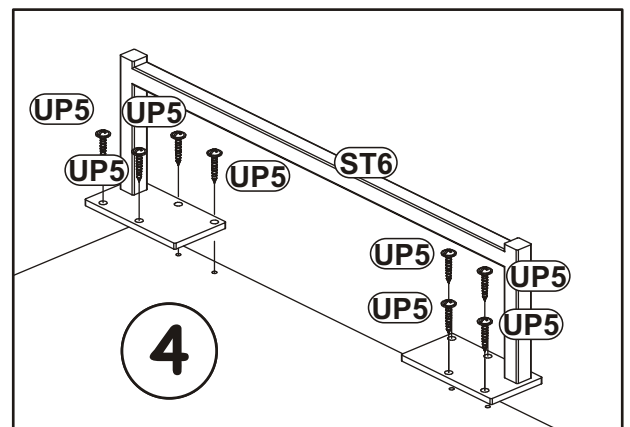
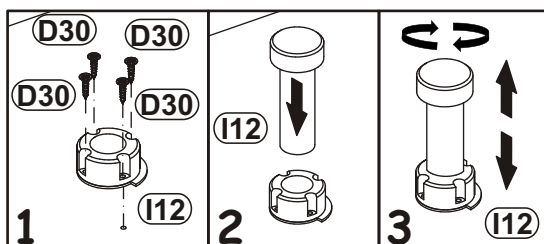
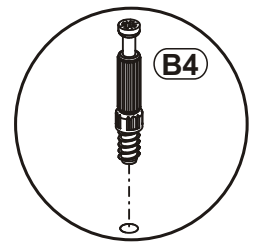
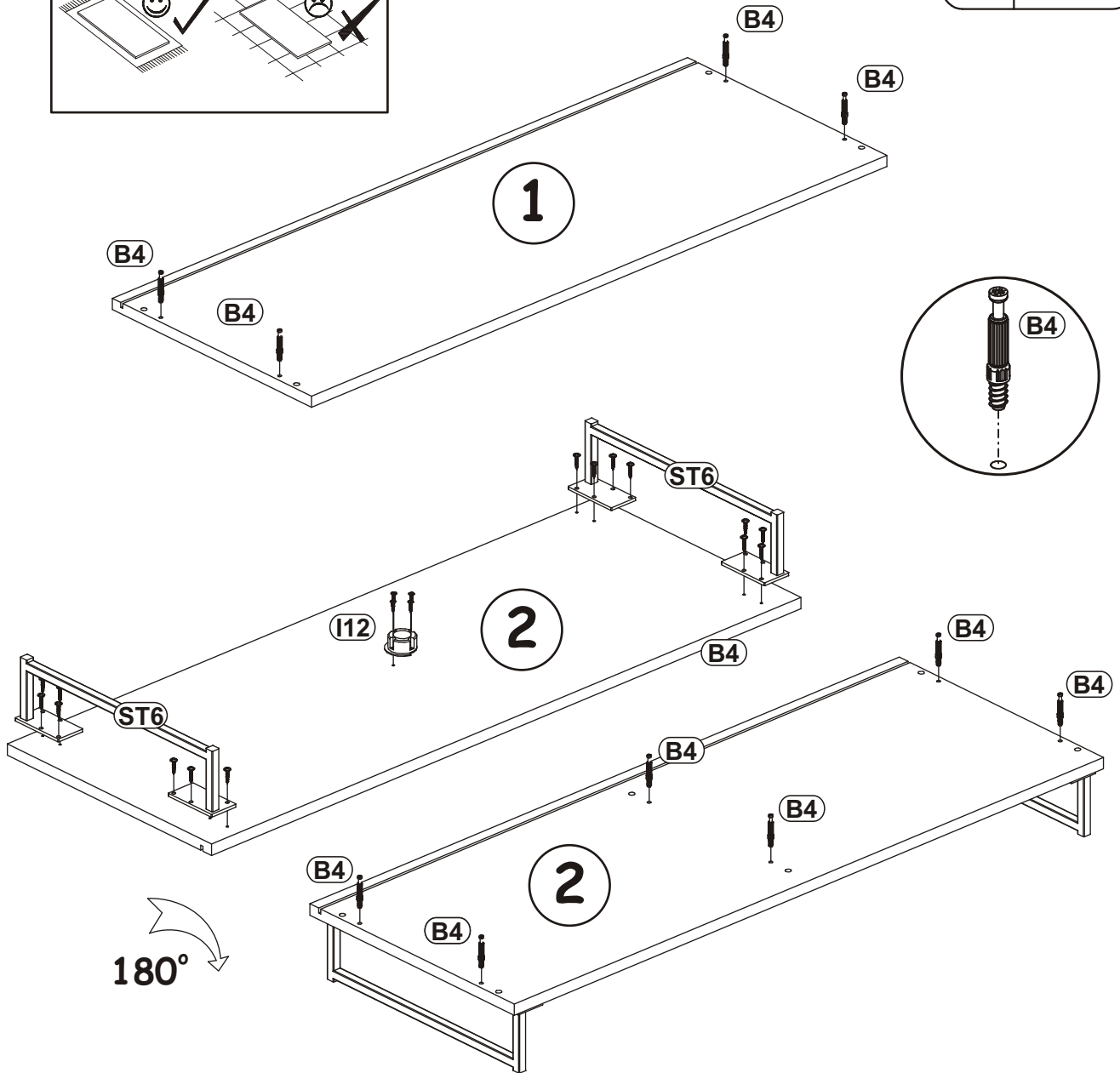
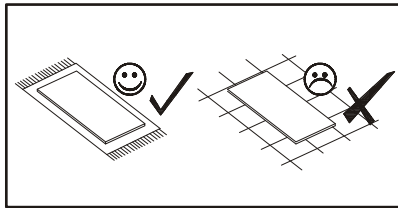
D30	
x4	USØ3,5x16

UP5	
x16	UPØ4x16

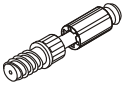

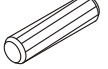
B4	
x10	

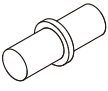
I12	
x1	L-100 mm.

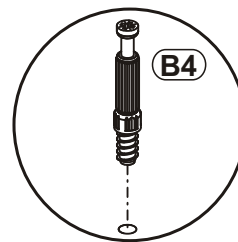
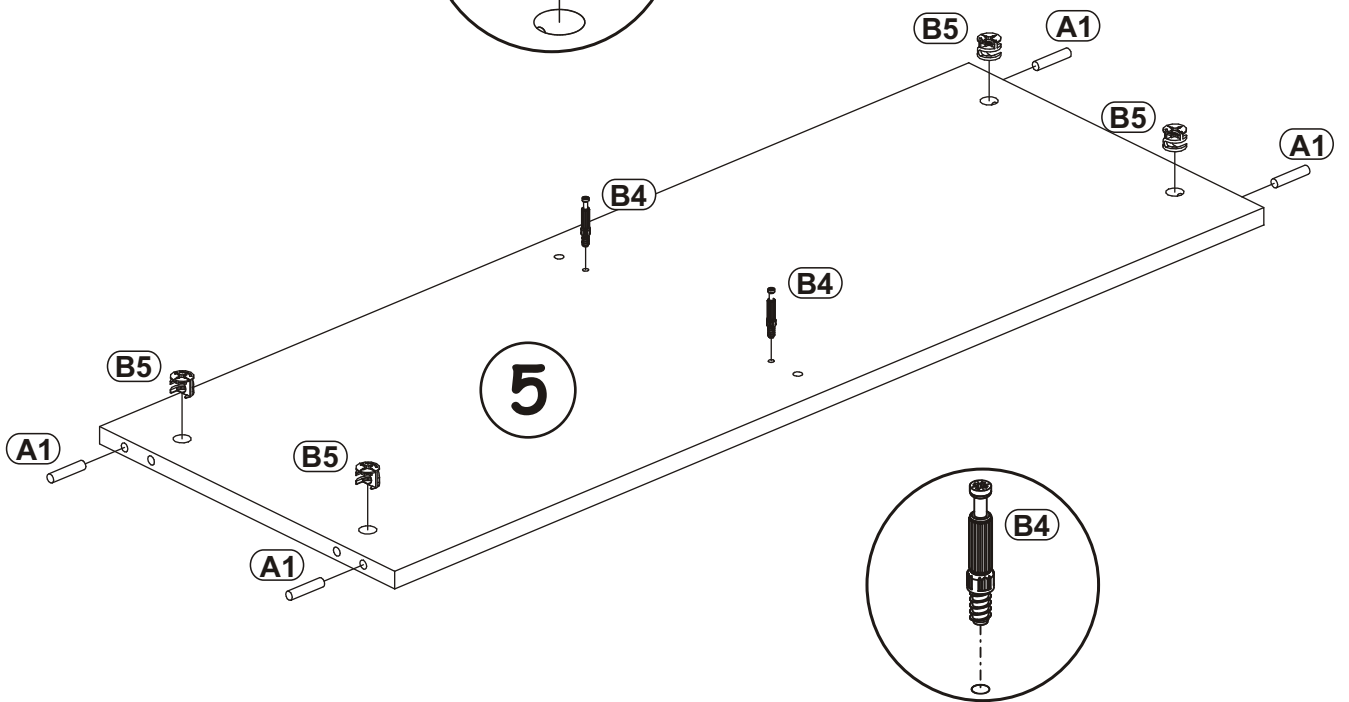
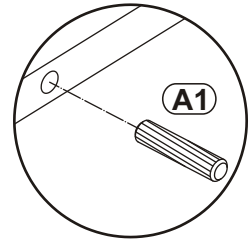
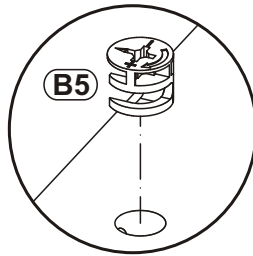
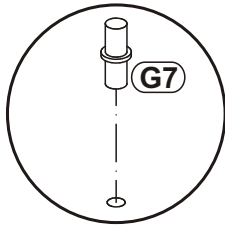
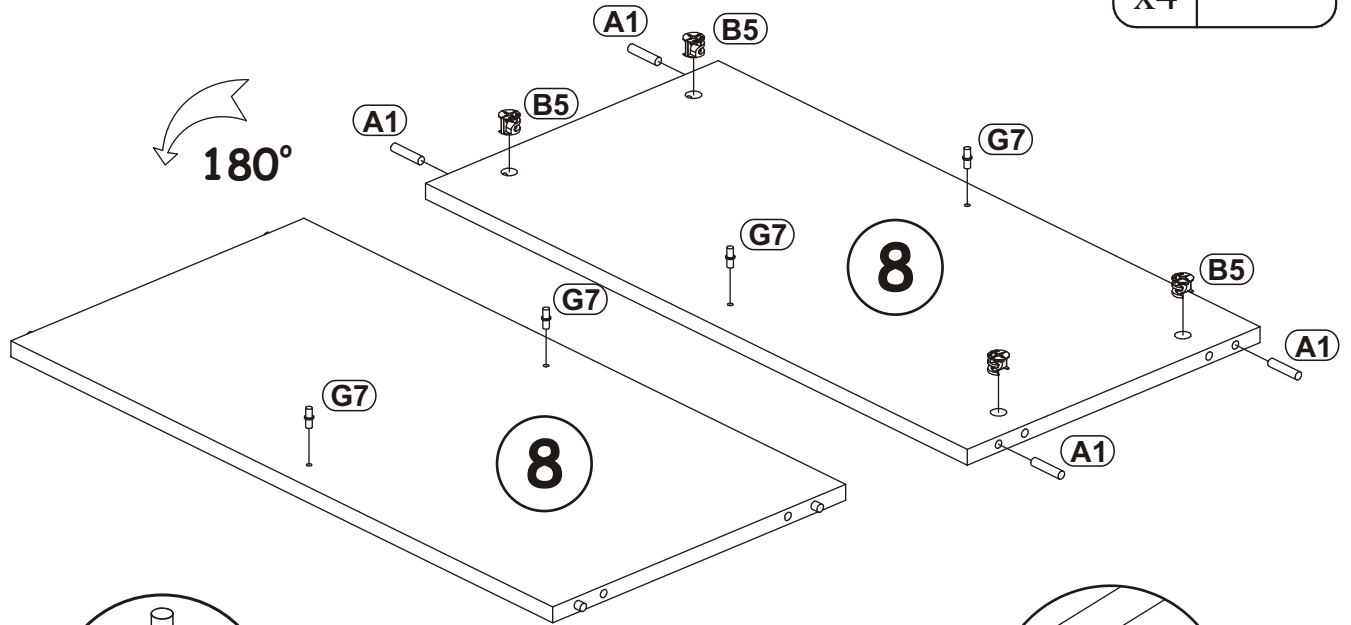
ST6	
x2	




3

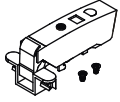
B4		B5		A1	
x2		x8	ø15x12	x8	ø8x36

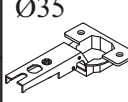
G7	
x4	



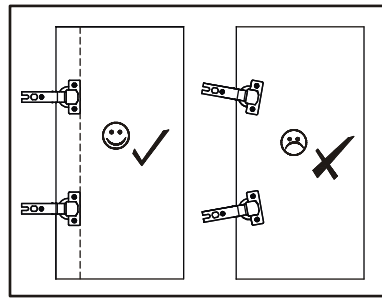
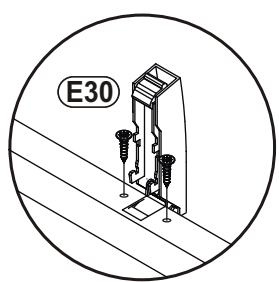
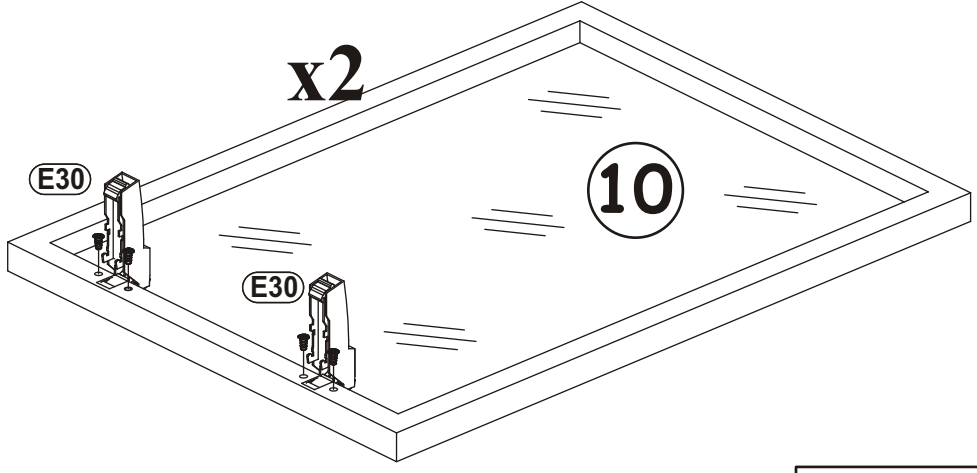
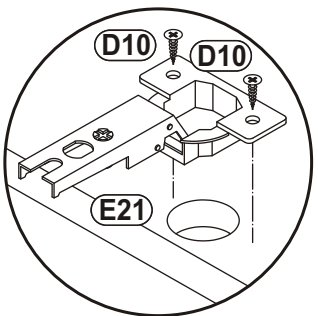
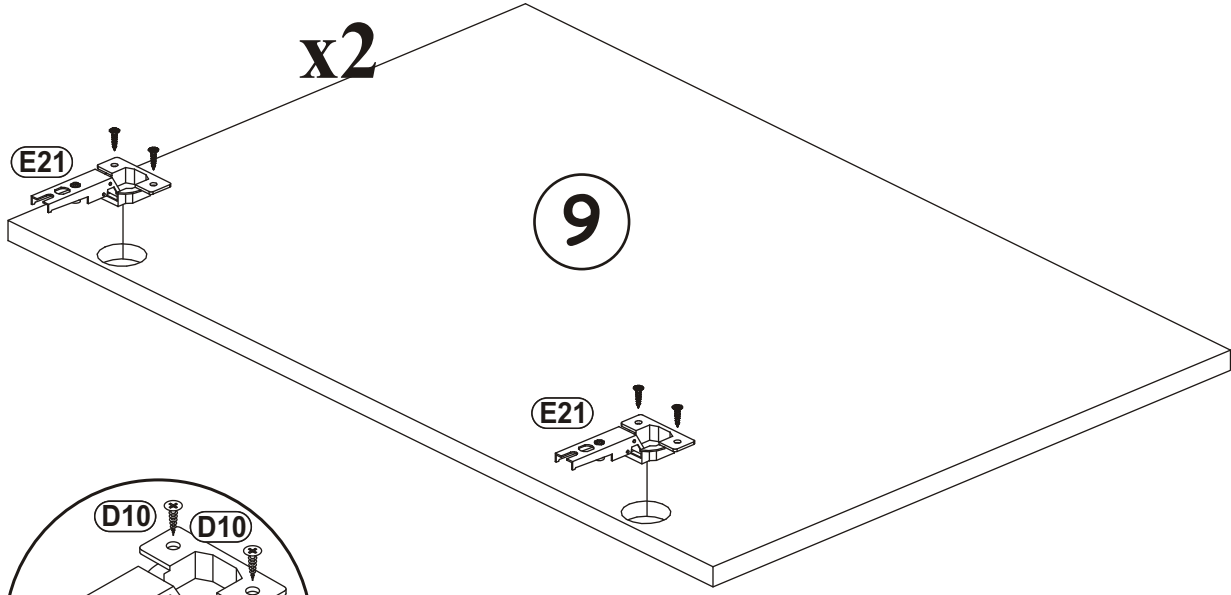
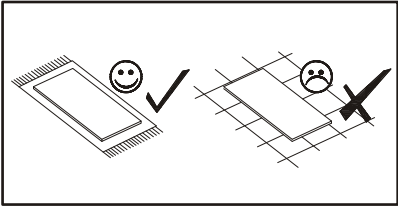
PLANK 29_PNWSN


D10	
x8	USØ3,5x13

E30	
x4	H=0

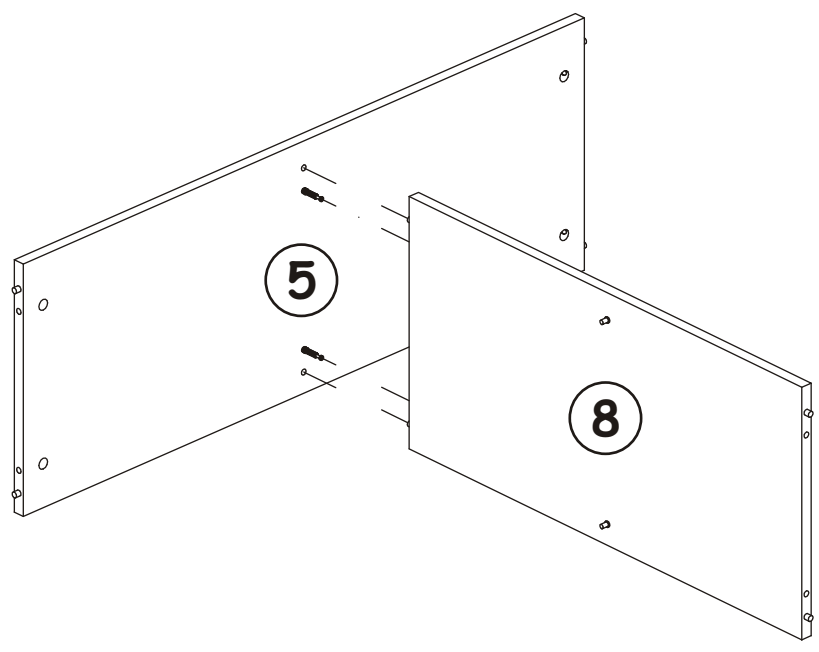
E21	Ø35
x4	
	H=0

4

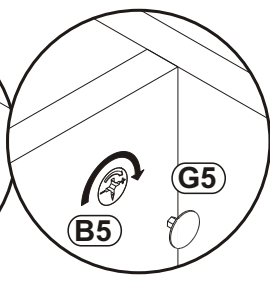
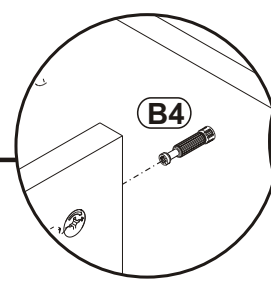
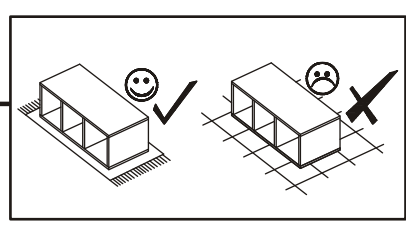



G5	
x2	

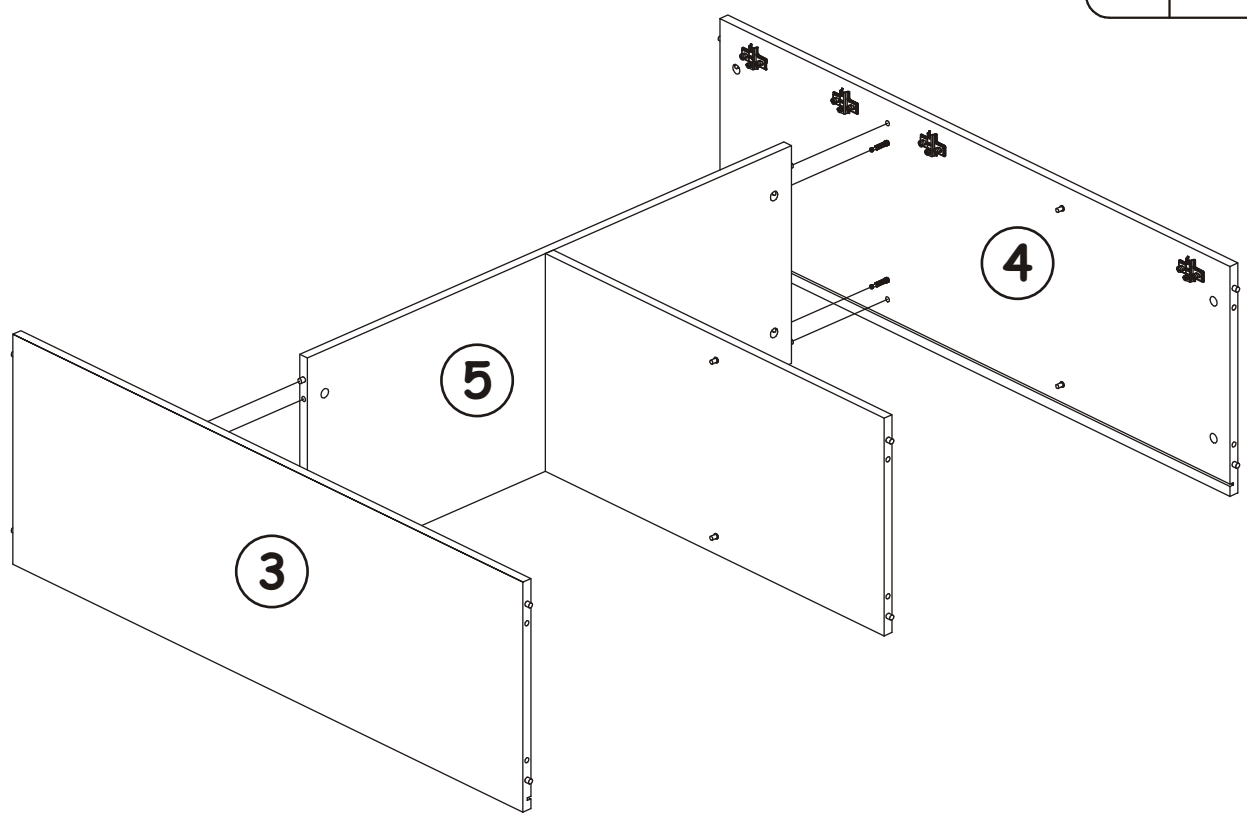
5




6



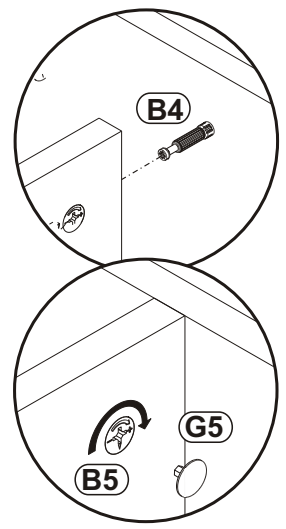
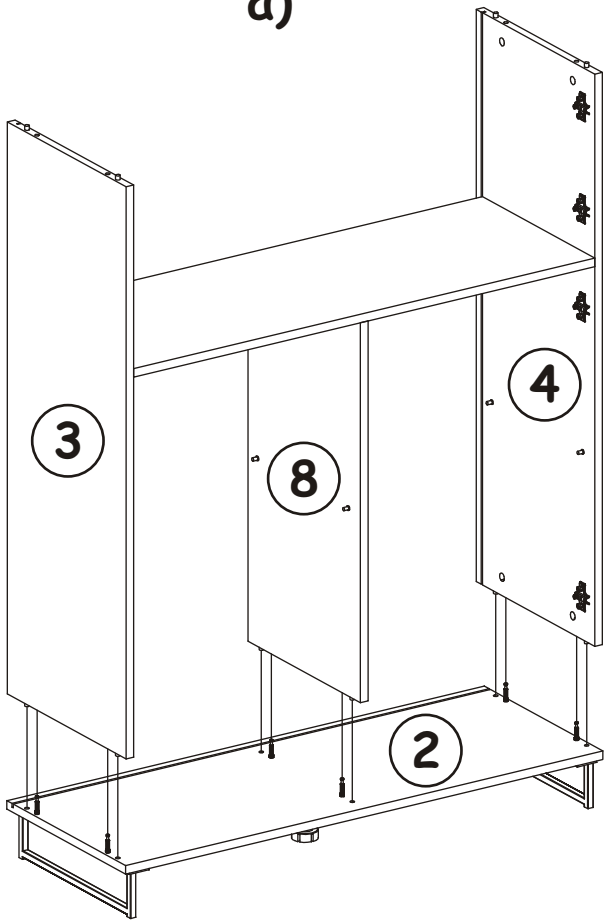
G5	
x4	



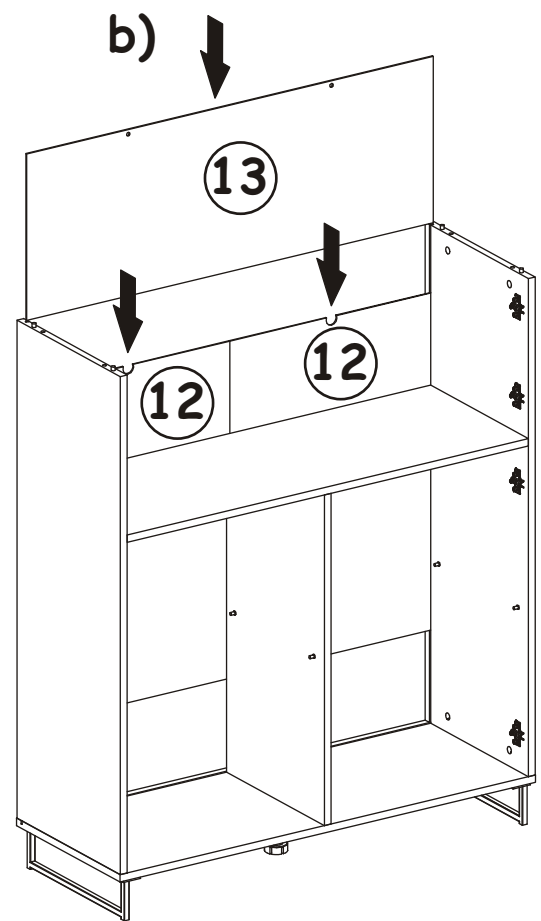
G5	
x10	

7

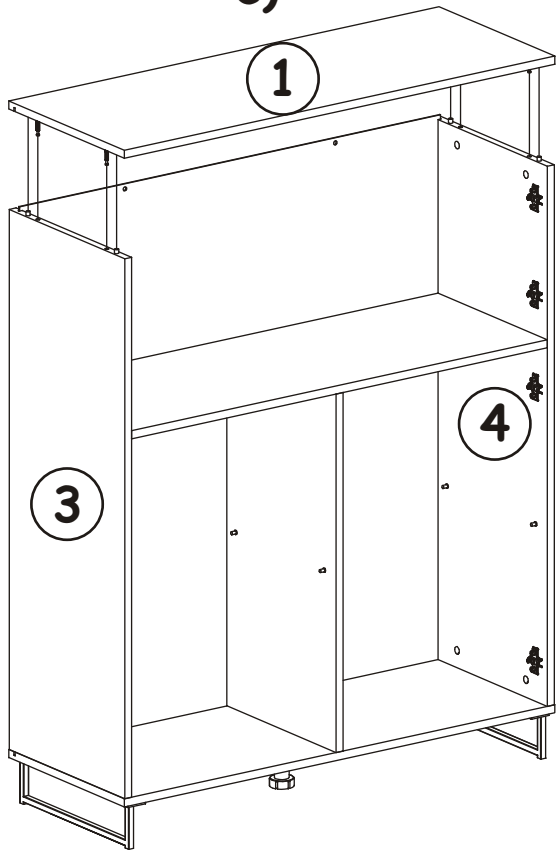
a)



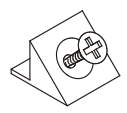
b)




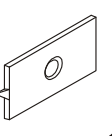
c)

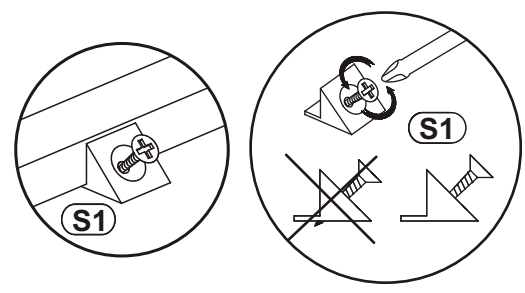
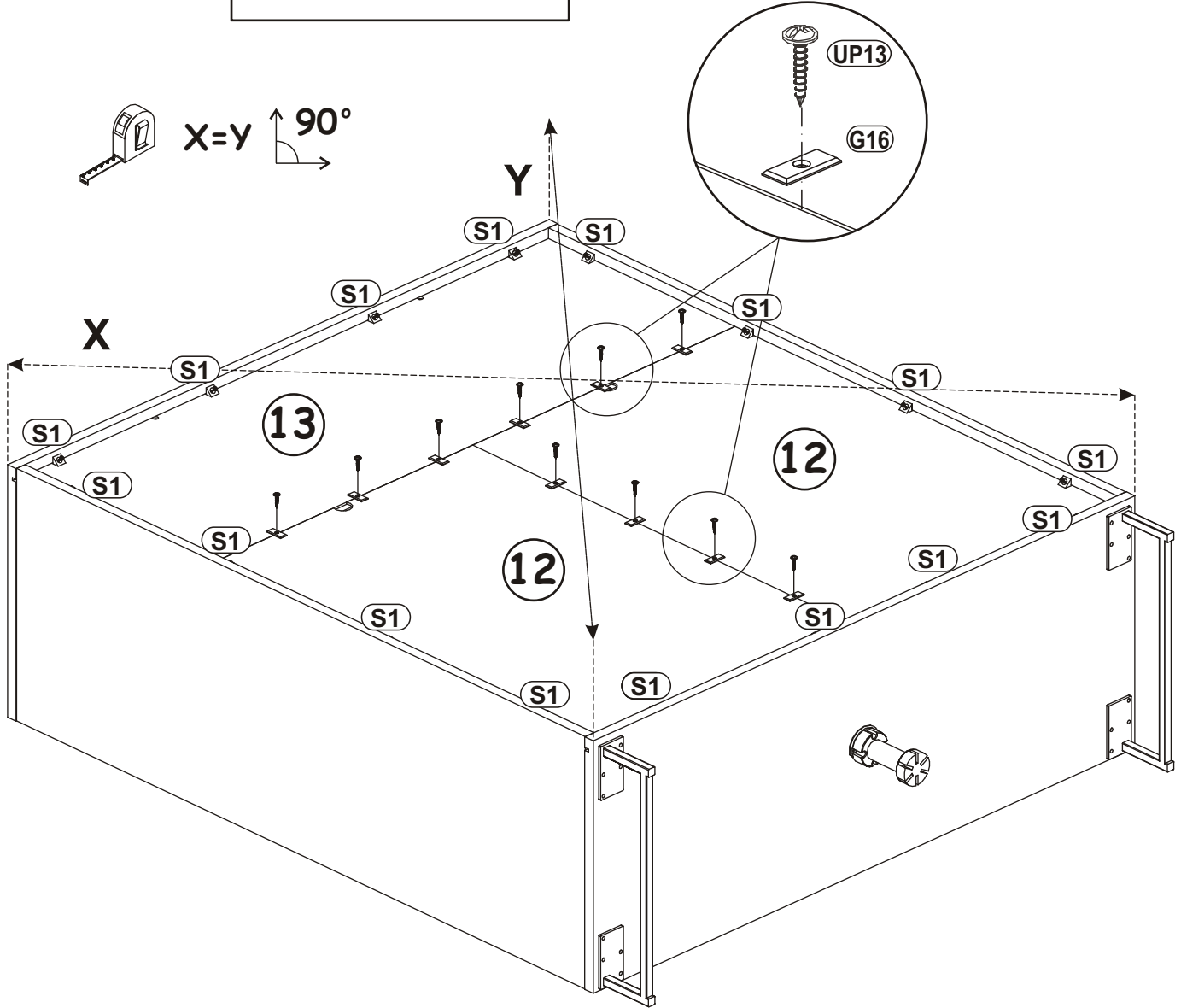
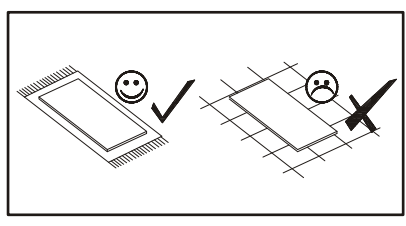


8

S1	
x16	

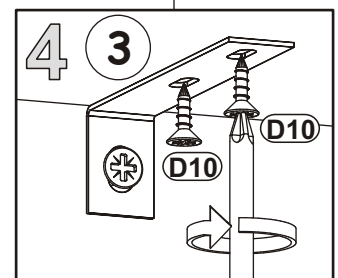
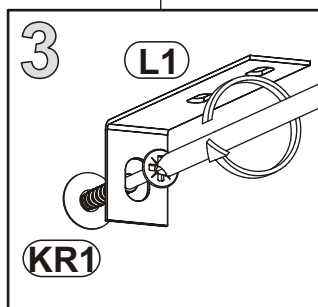
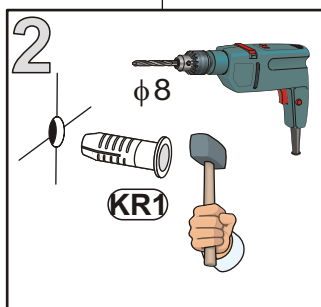
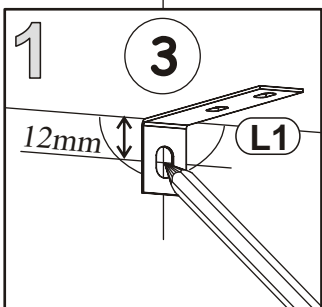
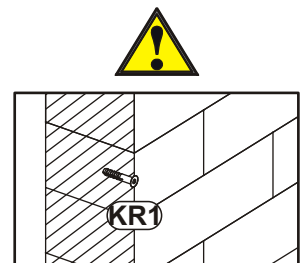
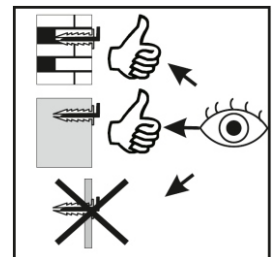
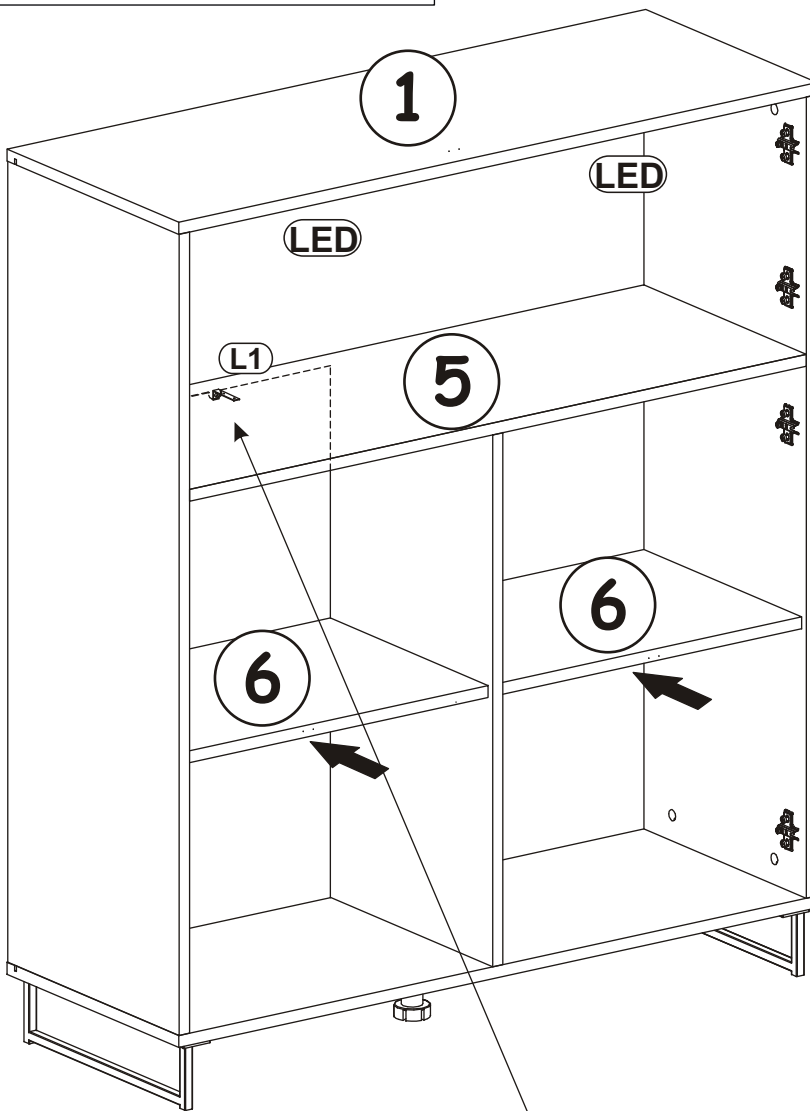
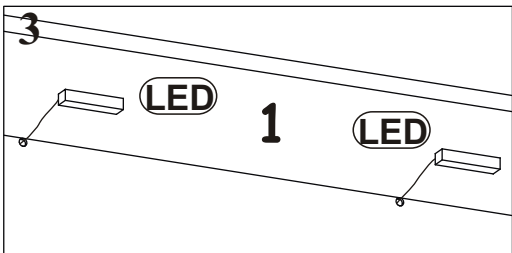
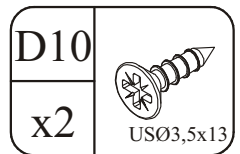
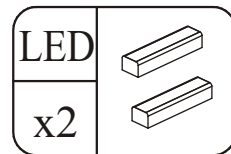
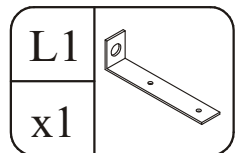
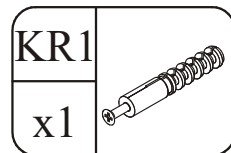
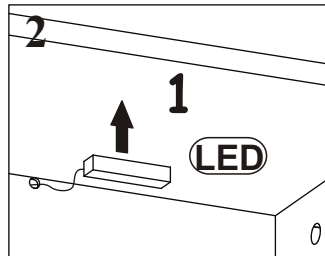
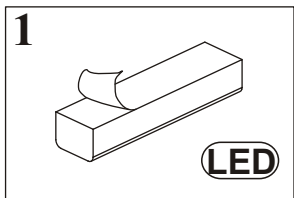
UP13	
x10	

G16	
x10	

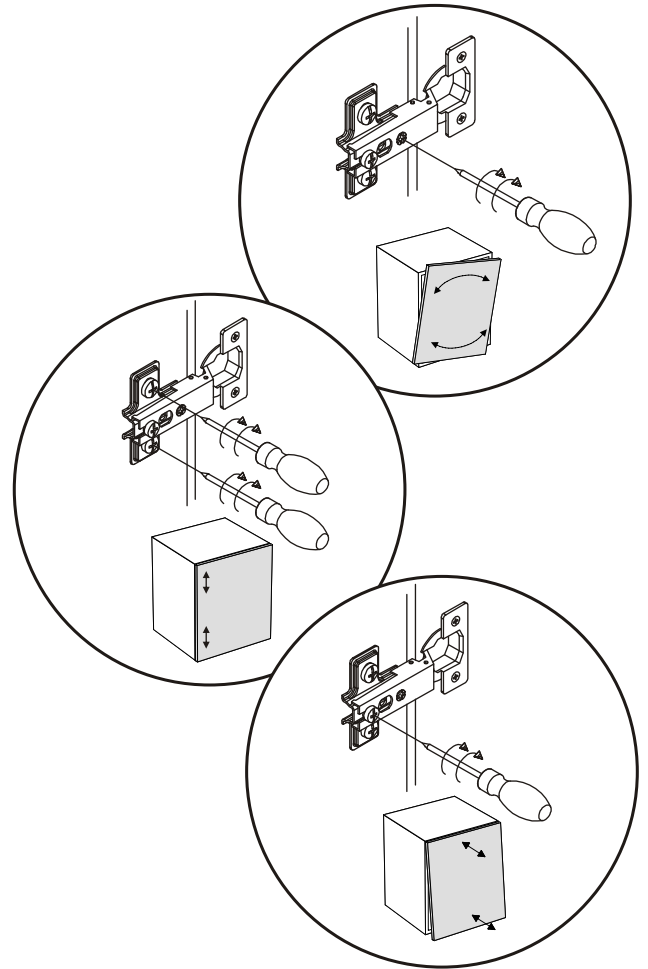
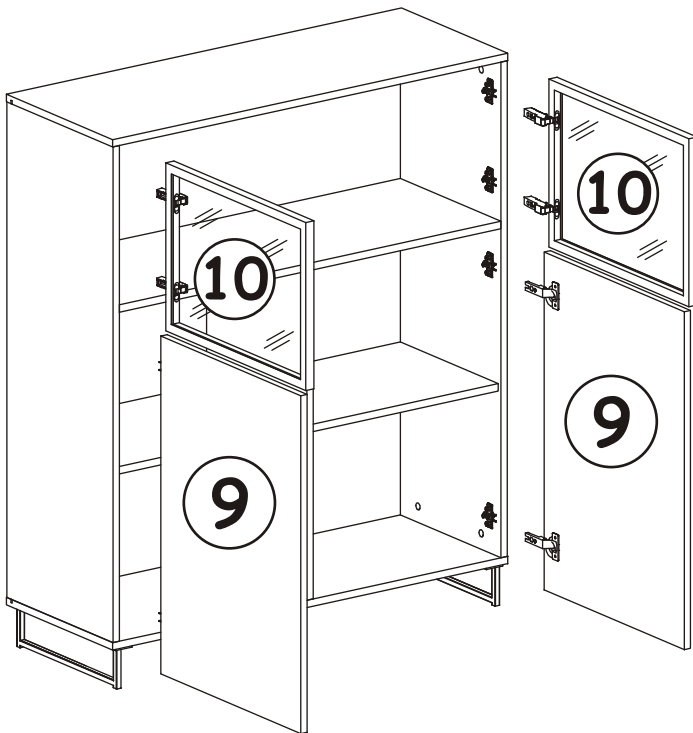


PLANK 29_PNWSN

9



10



11

