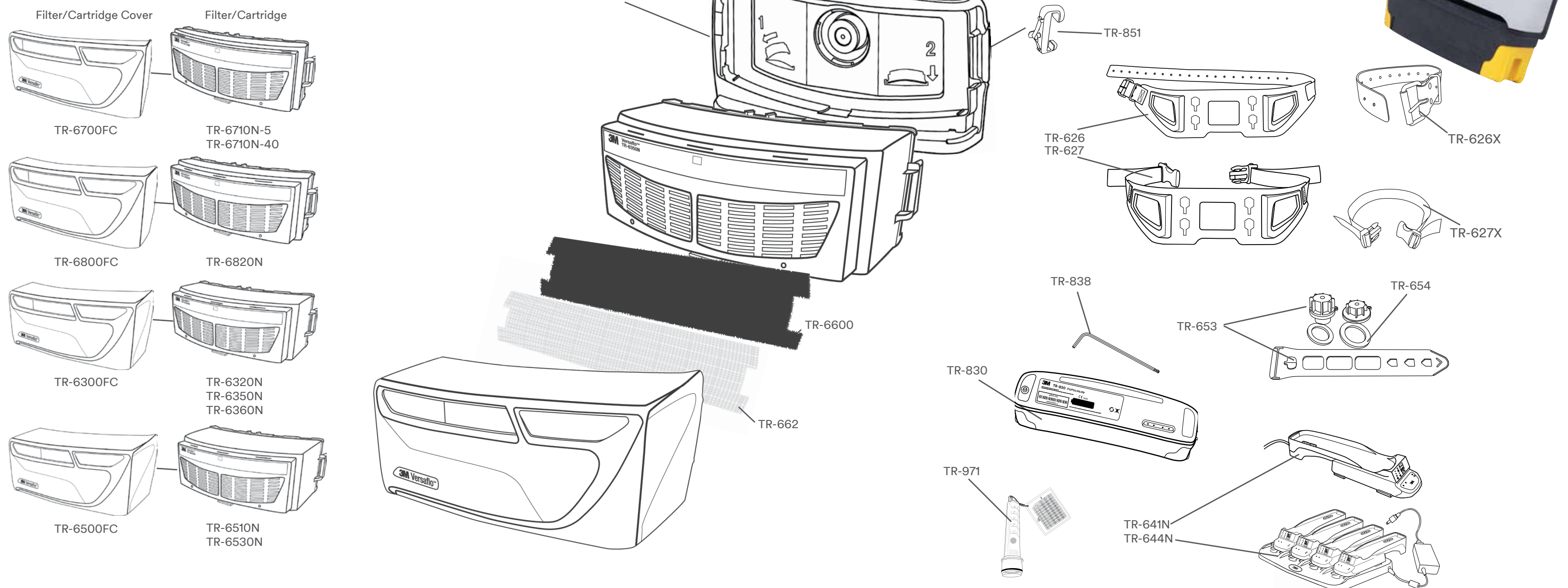


3M™ Versaflor™ TR-800 Series Parts and Accessories

TR-800 Series



Part Number/AAD	General Description	Description	Replace when maximum life is reached or when/if:	UPC Ordering #
System Kits				
TR-800-ECK	Easy Clean Kit	Kit includes: S-433L Hood with Integrated Head Suspension, BT-30 Length Adjusting Breathing Tube, TR-6710N (HE) Filter, TR-641N Single Station Battery Charger, BT-922 Breathing Tube Cover, Intrinsically Safe TR-802N PAPR Unit, TR-830 Intrinsically Safe Battery, TR-838 Battery Attachment Tool, TR-627 Easy Clean Belt, TR-6700 Filter Cover, TR-6600 Prefilter (X2), TR-662 Spark Arrestor (X2), BT-922 Breathing Tube Cover, TR-653 Storage and Cleaning Kit and TR-971 Airflow Indicator.	replace component(s) in kit based on guidance in table below, and/or reference component user instructions	00076308942496
TR-800-HIK	Heavy Industry Kit	Kit includes: M-307 Respiratory Hard Hat Assembly with Premium Visor and Faceseal, Intrinsically Safe TR-802N PAPR Unit, TR-830 Intrinsically Safe Battery, TR-838 Battery Attachment Tool, BT-30 Length Adjusting Breathing Tube, TR-626 High Durability Belt, TR-6530N OV/AG/HE Cartridge, TR-6500 Filter Cover, TR-641N Single Station Battery Charger Kit, TR-971 Airflow Indicator, BT-926 High Temperature Breathing Tube Cover, TR-6600 Prefilter (x2), TR-662 Spark Arrestor (x2) and TR-653 Storage and Cleaning Kit.	replace component(s) in kit based on guidance in table below, and/or reference component user instructions	00076308942502
TR-800-PSK/94248	Paint Spray Kit	Kit includes: M-206 Respiratory Faceshield Assembly, BT-20L Breathing Tube, TR-6510N (OV/HE) Cartridge, TR-641N Single Station Battery Charger, BT-922 Breathing Tube Cover, Intrinsically Safe TR-802N PAPR Unit, TR-830 Intrinsically Safe Battery, TR-838 Battery Attachment Tool, TR-627 Easy Clean Belt, TR-6500 Filter Cover, TR-971 Airflow Indicator, BT-922 Breathing Tube Cover and TR-653 Storage and Cleaning Kit.	replace component(s) in kit based on guidance in table below, and/or reference component user instructions	00076308942489
Series Assemblies				
TR-813N/94246	PAPR Assembly	PAPR Assembly: includes blower unit (TR-802N), flow indicator (TR-971), high durability belt (TR-626), standard battery (TR-830), battery attachment tool (TR-838), and length adjusting breathing tube (BT-30).	replace component(s) in assembly based on guidance in table below, and/or reference component user instructions	00076308942465
TR-814N/94247	PAPR Assembly	PAPR Assembly: includes blower unit (TR-802N), flow indicator (TR-971), Easy clean belt (TR-627), standard battery (TR-830), battery attachment tool (TR-838), and length adjusting breathing tube (BT-30).	replace component(s) in assembly based on guidance in table below, and/or reference component user instructions	00076308942472
Component Parts (* denotes alternatives(s) available)				
TR-802N/94242	Blower	Replacement Blower for Versaflor™ TR-800	damaged or unable to resolve alarms	00076308942427
TR-626/37343	Belt*	High Durability belt for Versaflor™ TR-600/TR-800 PAPR	damaged	00051131373433
TR-626X/37344	Belt Extender	Belt extender for TR-626 High Durability Belt	damaged	00051131373440
TR-627/37345	Belt*	Easy Clean belt for Versaflor™ TR-600/TR-800 PAPR	damaged	00051131373457
TR-627X/37346	Belt Extender	Belt extender for TR-627 Easy Clean Belt	damaged	00051131373464
TR-830/94243	Battery	Standard battery for Versaflor™ TR-800 PAPR	damaged or no longer achieving desired run-time	00076308942434
TR-838/94244	Battery Attachment Tool	Battery attachment tool for Versaflor™ TR-800 PAPR and TR-800 battery	damaged	00076308942427
TR-640/37349	Charger*	Replacement charger cradle for TR-641/TR-644 kits (not shown)	damaged, broken, or unable to charge battery	00051131373495
TR-641N/37350	Charger*	Single-bay charger kit for Versaflor™ TR-600/TR-800 PAPR batteries	damaged, broken, or unable to charge battery	00051131373501
TR-644N/37351	Charger*	4-bay charger kit for Versaflor™ TR-600/TR-800 PAPR batteries	damaged, broken, or unable to charge battery	00051131373518
TR-6600/37354	Prefilter	Prefilter for Versaflor™ TR-600/TR-800 PAPR	damaged or clogged	00051131373549
TR-662/37355	Spark Arrestor/Prefilter	Spark arrester/Prefilter for Versaflor™ TR-600/TR-800 PAPR	damaged or unable to clean	00051131373556
TR-6710N-5/37357 TR-6710N-40/37358	Filter*	HE Filter for Versaflor™ TR-600/TR-800 PAPR	damaged or when change is indicated by the PAPR low flow alarm	00051131373575 00051131373582
TR-6820N/37360	Filter*	HE and Nuisance OV/AG filter for Versaflor™ TR-600/TR-800 PAPR	damaged, when change is indicated by the PAPR low flow alarm or when nuisance odor relief is no longer provided	00051131373605
TR-6320N/37363	Filter/Cartridge*	Acid Gas/HEPA Cartridge for Versaflor™ TR-600/TR-800 PAPR	damaged, when change is indicated by the PAPR low flow alarm, when indicated by service life software, or if breakthrough is detected	00051131373636
TR-6350N/37365	Filter/Cartridge*	Formaldehyde/HEPA Cartridge for Versaflor™ TR-600/TR-800 PAPR	damaged, when change is indicated by the PAPR low flow alarm, when indicated by service life software, or if breakthrough is detected	00051131373650
TR-6360N/37364	Filter/Cartridge*	Ammonia/Methylamine/HEPA Cartridge for Versaflor™ TR-600/TR-800 PAPR	damaged, when change is indicated by the PAPR low flow alarm, when indicated by service life software, or if breakthrough is detected	00051131373643
TR-6510N/37361	Filter/Cartridge*	Organic Vapor/HEPA Cartridge for Versaflor™ TR-600/TR-800 PAPR	damaged, when change is indicated by the PAPR low flow alarm, when indicated by service life software, or if breakthrough is detected	50051131373612
TR-6530N/37362	Filter/Cartridge*	Organic Vapor/Acid Gas/HEPA Cartridge for Versaflor™ TR-600/TR-800 PAPR	damaged, when change is indicated by the PAPR low flow alarm, when indicated by service life software, or if breakthrough is detected	00051131373629
TR-6700FC/37356	Filter Cover	Filter cover for 6700 series filters for Versaflor™ TR-600/TR-800 PAPR	damaged or broken. No longer securely attaches to filter/cartridge	00051131373563
TR-6800FC/37378	Filter Cover	Filter cover for 6800 series filters for Versaflor™ TR-600/TR-800 PAPR	damaged or broken. No longer securely attaches to filter/cartridge	00051131373785
TR-6300FC/37380	Filter Cover	Filter cover for 6300 series filter/cartridge for Versaflor™ TR-600/TR-800 PAPR	damaged or broken. No longer securely attaches to filter/cartridge	00051131373808
TR-6500FC/37381	Filter Cover	Filter cover for 6500 series filter/cartridge for Versaflor™ TR-600/TR-800 PAPR	damaged or broken. No longer securely attaches to filter/cartridge	00051131373815
TR-971/56707	Flow Indicator	Flow indicator for Versaflor™ TR-600/TR-800 PAPR	damaged	00051141567075
TR-851/94245	Filter Latch	Replacement filter latch assembly for TR-802N blower	damaged	00076308942458
TR-653/37373	Cleaning/Storage Kit	Cleaning and Storage Kit for TR-602N/TR-802N PAPR, and TR-630/TR-632/TR-830 batteries	damaged, broken, gaskets changed after 30 washings	00051131373730
TR-654/37384	Cleaning/Storage Kit	Replacement gaskets for TR-653 cleaning and storage kit	damaged, broken, gaskets changed after 30 washings	00051131373846
BPK-01/17358	Backpack*	Backpack for Versaflor™ TR-600/TR-800 PAPR (not shown)	damaged	00051131373583
TR-655/37385	Backpack Adapter	Backpack Adaptor to connect TR-802N to BPK-01 (not shown)	damaged	00051131373853
TR-329/17362	Suspenders*	Suspenders for use with any Versaflor belt (not shown)	damaged	00051131373620
BT-30/17379	Breathing Tube	Length adjusting breathing tube to connect Versaflor™ TR-600/TR-800 PAPR to Versaflor™ family of headgear (not shown)	damaged, broken, holes, cuts or tears	00051131373798



3M General Offices
3M Center, Building 235-2W-70
St. Paul, MN 55144-1000
3M.com

3M PSD products are occupational use only.
3M and Versaflor are trademarks of 3M Company.
Please recycle. Printed in USA © 2018 3M.
All rights reserved. 70-0716-7275-5

For More Information

In U.S.

Technical Assistance 1-800-243-4630
Hours of Operation: 8:00 a.m. – 4:30 p.m. CST

Customer Care Center 1-800-328-1667
Hours of Operation: 7:00 a.m. – 5:00 p.m. CST

Internet 3M.com/PPESafety
3M.com/Versaflor



⚠WARNING

These respirators help protect against certain airborne contaminants. Before use, the wearer must read and understand the User Instructions provided as a part of the product packaging. A written respiratory protection program must be implemented meeting all the requirements of OSHA 1910.134 including training, fit testing and medical evaluation. In Canada, CSA standards Z94.4 requirements must be met and/or requirements of the applicable jurisdiction, as appropriate. Improper use may result in injury, sickness or death. For correct use, see supervisor and User Instructions, or call 3M PSD Technical Service in USA at 1-800-243-4630 and in Canada at 1-800-267-4414.