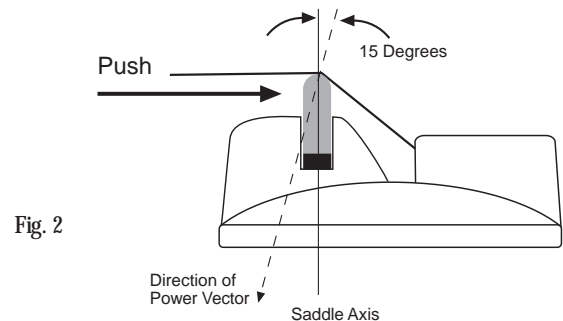
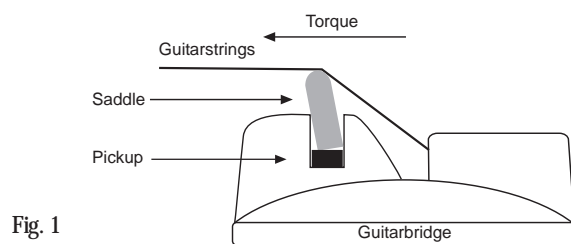


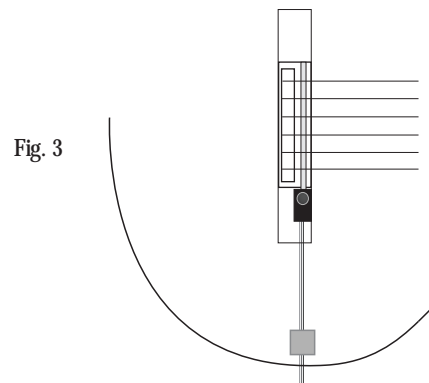
Content:

Piezo-pickup with incorporated saddle (standard bridge slot width of 2.3 mm (3/32)) and volume control,
Instrument cable (12 feet),
Cable holder

1. Loosen strings and remove original bridge saddle.
2. Compare pickup height to original saddle height and shim if need.
3. Slide the pickup into the bridge slot from the treble and centered it under the strings.
4. Retune the guitar. Make sure the strings do not pull the pickup forward in the slot (see fig. 1)!
In this case push the saddle in a versical position again (see fig. 2).



5. Position the cable holder upright under the pickup on the guitar (see fig. 3).



6. Connect the pickup to an appropriate amplifier with the included instrument cable.