



ALL METAL SHOWER HEAD FILTER

AMERICAN DESIGN SOLID METAL BUILT TO LAST

WHY DO WE NEED FILTERED SHOWER WATER?

REMOVES CONTAMINANTS LIKE...
CHLORINE & HEAVY METALS
IMPROVE HEALTH OF...
SKIN, HAIR & NAILS

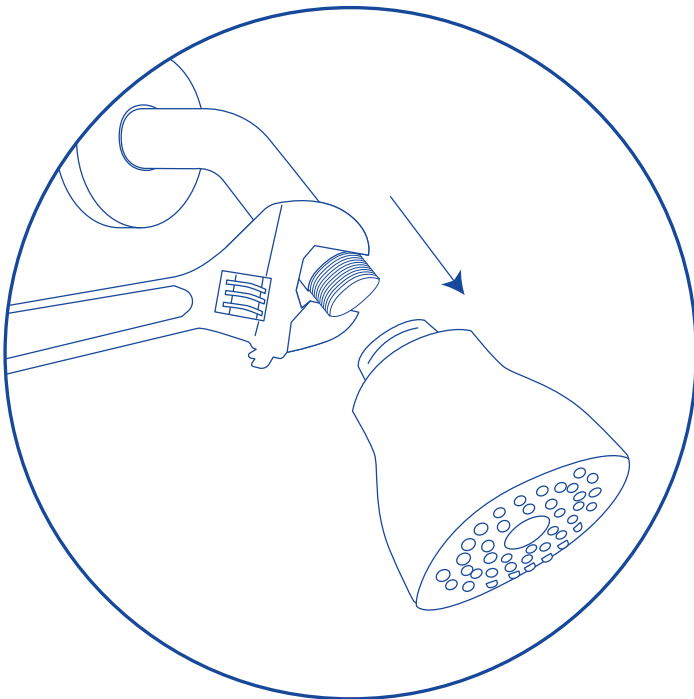
PROPRIETARY FILTRATION FORMULA

KDF 55 - Copper-zinc alloy, excels at removing chlorine and heavy metals through redox reactions, ensuring your water is free from harmful substances.

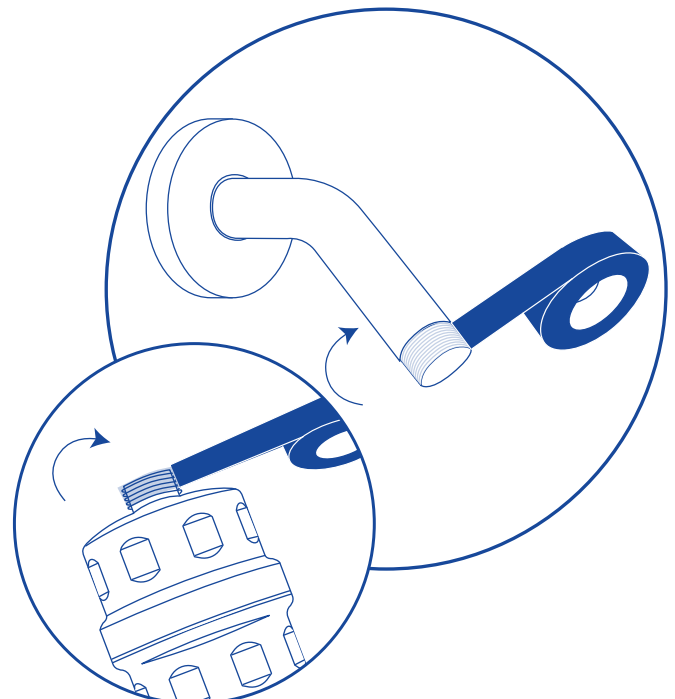
CALCIUM SULFITE - Actively captures and neutralizes impurities, particularly chlorine.



INSTALLATION INSTRUCTIONS

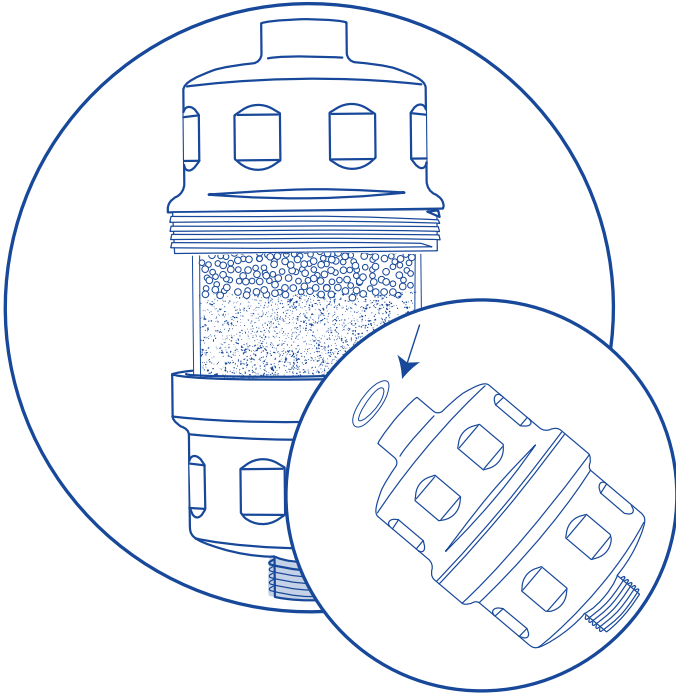


1. Remove Existing Shower Head: Unscrew the existing shower head from the shower arm by turning it counterclockwise using a wrench or pliers.



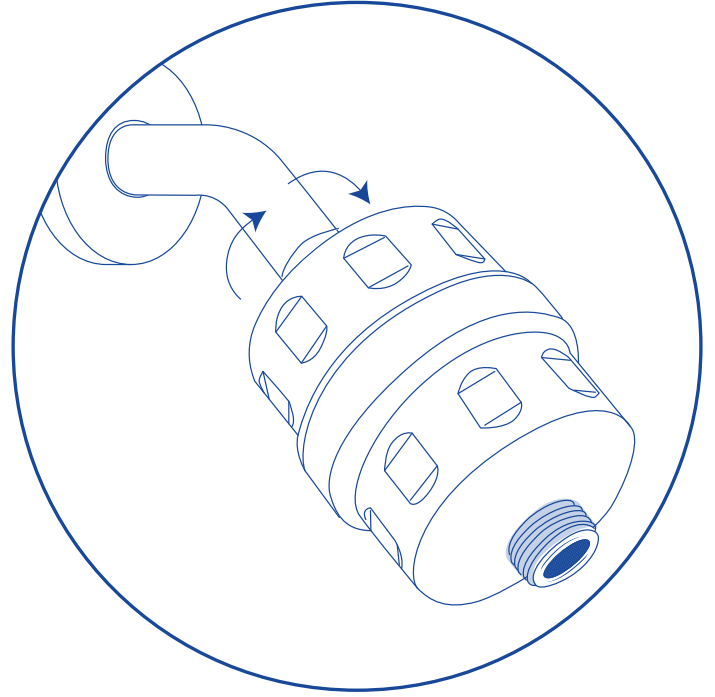
2. Apply Thread Seal Tape: Clean the shower arm threads. Wrap thread seal tape around shower arm and male filter threads — 3-5 times clockwise.

INSTALLATION INSTRUCTIONS



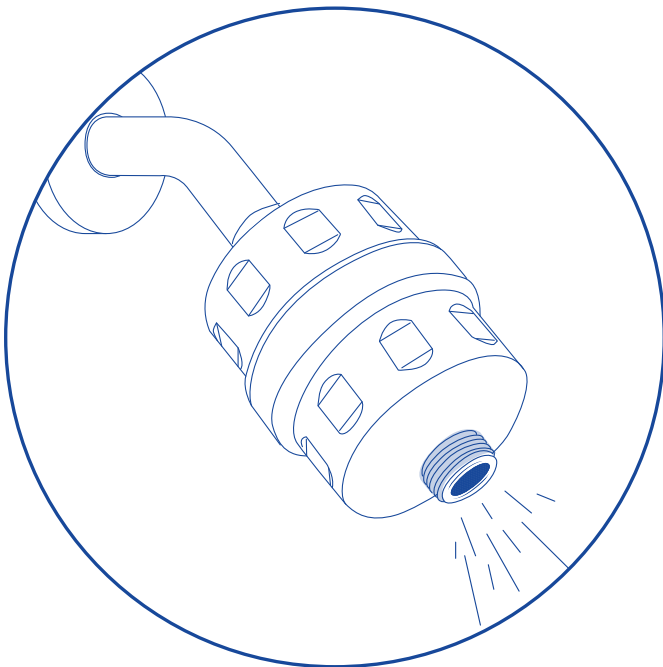
3. Prepare Filter Housing:

Filter Cartridge is already pre-installed and ready for use. Remove plastic from housing and ensure that the rubber washer is seated inside the female threads.



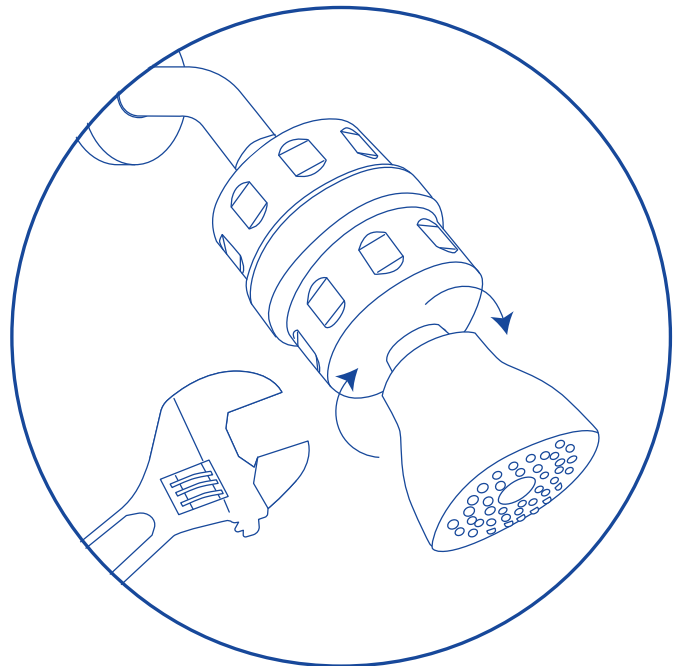
4. Attach Filter to Shower Arm:

Screw onto the shower arm in a clockwise motion, by hand. Do not over-tighten.



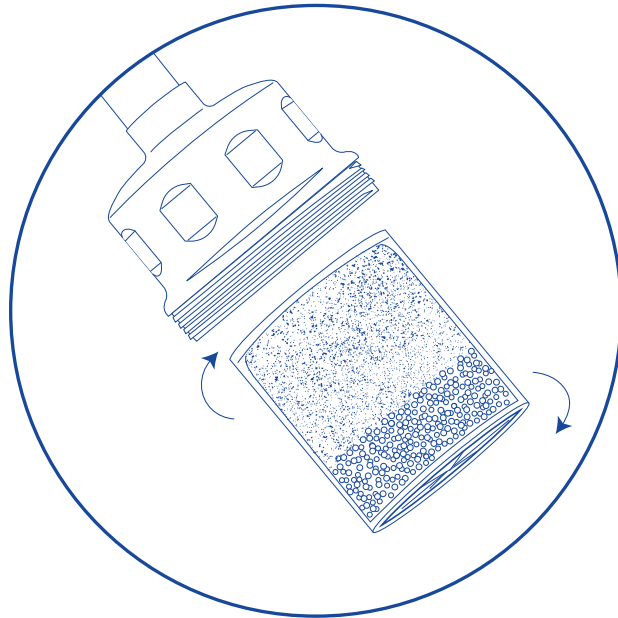
5. Flush Filter:

Before installing your shower head, turn on warm water for at least one minute or until the water runs clear.



6. Attach Shower Head:

Holding the body of the shower filter so it doesn't rotate, screw your shower head onto the inline filter by hand in a clockwise motion. Gently finish tightening with an adjustable wrench.



PRO TIP?

Rotate the cartridge at 3 months to extend the life of the cartridge, also known as "back-flushing."

Recommended to replace filter cartridge every 6 months.

SIGN UP FOR REMINDERS AT:

WWW.THESHOWERHEADSTORE.COM/PAGES/FILTER-REMINDER

