



WEBLEY & SCOTT

GUNMAKERS 1790

USER'S MANUAL
MODEL: OVER / UNDER
928 & 941



READ THE INSTRUCTIONS AND WARNINGS
IN THIS MANUAL CAREFULLY BEFORE USING
THIS SHOTGUN!

INDEX

1. SAFETY RULES	3
2. NOMENCLATURE	4
3. INITIAL ASSEMBLY AND INSPECTING	5
4. LOADING AND USAGE	7
5. UNLOADING AND CHOKES	8
6. DISASSEMBLY AND RE-ASSEMBLY	10
7. CLEANING AND MAINTENANCE	11

3 YEAR WARRANTY

Webley and Scott shotguns are manufactured to the highest possible standards, using the finest materials, to give a lifetime of service. In the unlikely event of there being a defect in material or workmanship, at anytime, within three years of purchase, Webley and Scott undertake to repair or replace the shotgun (at Webley and Scott's discretion). Warranty is only valid for the original purchaser of the shotgun and cannot be transferred to subsequent owners. Warranty must be registered to be valid.

Register your warranty , view all conditions and see all Webley and Webley & Scott's products at:

www.webley.co.uk

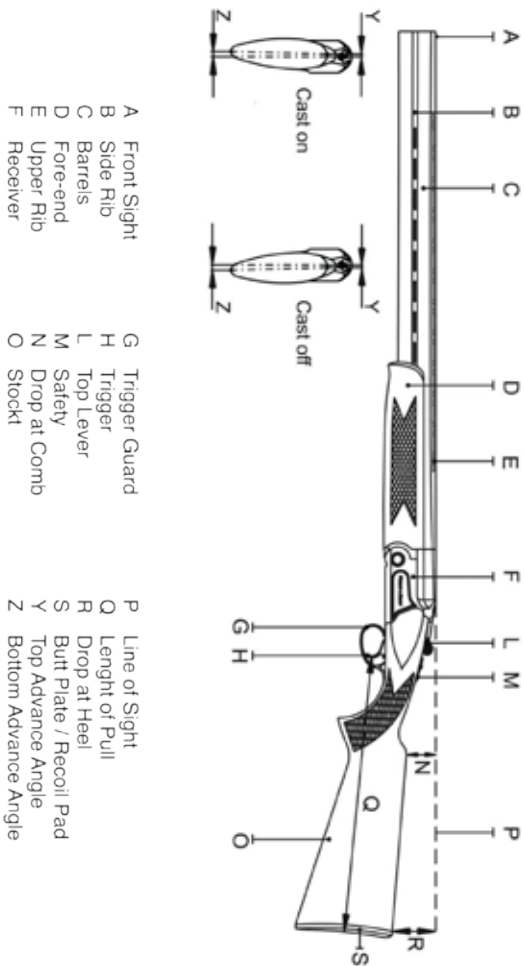
BECAUSE OF THE TRAPPED MOISTURE THAT MAY CAUSE RUSTING IT IS NOT ADVISABLE TO STORE YOUR SHOTGUN IN A CARRY CASE.

1. SAFETY RULES

WARNING: THE FAILURE TO FOLLOW THESE SHOTGUN SAFETY REQUIREMENTS WILL CAUSE SERIOUS PERSONAL INJURY OR DEATH TO YOU OR OTHERS.

- ALWAYS TREAT AS IF THEY WERE LOADED. NEVER ASSUME THAT A FIREARM IS UNLOADED.
- NEVER POINT THE FIREARMS AT SOMETHING THAT IS NOT SAFE TO SHOOT.
- STORE ALL THE FIREARMS SO THAT CHILDREN CANNOT GAIN ACCESS TO THEM. IT IS YOUR RESPONSIBILITY TO INSURE THAT UNAUTHORIZED PERSONS DO NOT GAIN ACCESS TO YOUR FIREARM. TO REDUCE THE RISK OF ACCIDENTS INVOLVING CHILDREN, UNLOAD YOUR FIREARM, LOCK IT AND STORE THE AMMUNITION IN A SEPARATE LOCKED LOCATION.
- ALWAYS WEAR ADEQUATE AND PROPER EAR PROTECTORS.
- ALWAYS WEAR SAFETY PROTECTIVE GLASSES SPECIFIED FOR FIREARM USE.
- ALWAYS BE ALERT AND ALWAYS FOLLOW THE SAFETY INSTRUCTIONS OF THE RANGE OFFICER. NEVER SHOOT IF YOU ARE TIRED, COLD OR IMPAIRED IN ANY WAY.
- ALWAYS BE AWARE OF OTHER PEOPLE SO THAT PERSONS CANNOT ACCIDENTALLY WALK INTO THE LINE OF FIRE.
- THE SHOOTER (AND ALL OTHERS IN THE SHOOTING AREA) MUST ALWAYS BE IN A POSITION THAT IS OUT OF THE LINE OF FIRE.
- NEVER SHOOT AT HARD SURFACES, WATER OR RANDOMLY INTO THE SKY. ALWAYS SELECT A PLACE TO SHOOT THAT HAS A SAFE BACKSTOP AND IS FREE FROM OBSTRUCTIONS AND WATER SURFACES WHICH CAUSE RICOCHETS.
- NEVER CLIMB A TREE, FENCE OR OBSTRUCTION WITH A LOADED FIREARM. OPEN AND EMPTY THE CHAMBER OF YOUR FIREARM AND ENGAGE THE MANUAL SAFETY BEFORE CLIMBING OR DESCENDING A TREE OR BEFORE CLIMBING A FENCE OR JUMPING OVER A DITCH OR OBSTRUCTION.
- NEVER TRANSPORT A LOADED FIREARM.
- NEVER USE ALCOHOL OR DRUGS BEFORE OR WHILE SHOOTING OR HANDLING ANY FIREARM.

2. NOMENCLATURE



3. INITIAL ASSEMBLY AND INSPECTING

Initial Assembly

Your shotgun is shipped from the factory with the barrel and the fore-end not assembled to the receiver (Figure 1).



- Remove the fore-end from the barrel (figure 2&3).

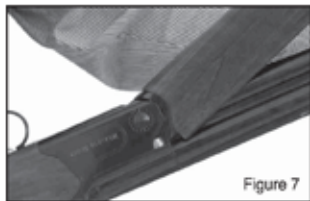


- Move and keep the release lever to the right.
- Holding the barrel assembly in one hand and the frame assembly in the other hand, engage the recess in the barrel lug onto the hinge pin in the frame (Figure 4&5).



- Rotate the barrel upwards at the muzzles to close the action (Figure 6).
- Place the rear of the fore-end iron against the receiver and carefully rotate the fore-end into place (Figure 7).

3. INITIAL ASSEMBLY AND INSPECTING

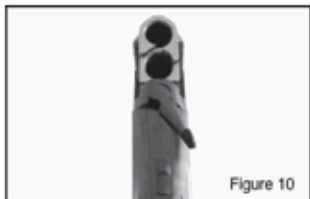


- Push the fore-end lever closed – flush with the fore-end surface to lock it into place (Figure 8).
- Make sure the safety is in the "SAFE" position (Figure 14&15).
- Move the release lever to the right and open the action (Figure 9).
- Always keep your fingers away from the trigger when closing the action (Figure 6).



Inspect

- When you inspect your shotgun you should first check for yourself to ensure that it is unloaded. To do this, open the action and look into the barrel from the breech end and make sure there are no shells in the chamber (figure 10).
- Verify that the barrel is clear and free of obstructions.
Always keep your fingers away from the trigger when closing the action (Figure 11).

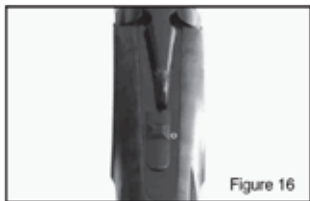
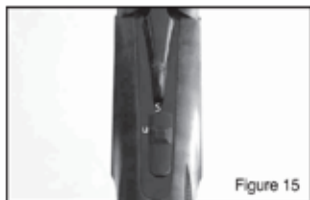


4. LOADING AND USAGE

- Do not load the shotgun until you have read and fully understand this manual, and you are ready to use it.
- Point the muzzle downward and in a safe position.
- Move the release lever to the right open the action (Figure 12)
- Look into the barrel from the breech end and make sure there are no barrel obstructions.
- Engage the safety if it is not already engaged.
- Place a shell which is only factory-loaded, new ammunition into each chamber (Figure 13). Be certain that each round you use is in the proper gauge. The gauge the firearm is clearly marked on the barrel of shotguns.



- Close the action (Figure 11).
- Always keep your finger away from the trigger whenever you do not intend to fire.
- Move safety fully forward to the "FIRE" position. Your shotgun has a selector safety system. The top barrel fires first when you move the safety left forward (Figure 16); and when you slide it right forward, the bottom barrel fires first (Figure 17). Your gun is on the safe mode when you pull the safety backwards on either side (Figure 14&15).
- The shotgun is now ready to fire.
- Always keep your fingers away from the trigger when closing the action (Figure 11).



5. UNLOADING & CHOKES

Ejector

Your shotgun has the ejector system. Set the safety to the "SAFE" position. Move the release lever to the right and open the action.

SHELLS WILL EJECT FROM THE SHOTGUN WITH A FORCE. BE AWARE OF WHAT IS BEHIND AND BY THE SIDE OF THE SHOTGUN BEFORE OPENING THE ACTION.

If you have pulled the trigger once, the first shell will eject when you open the shotgun and you will have to remove the second shell manually. If you have pulled the trigger twice, both shells will eject with a force when the barrels are opened.

However, if you have not pulled the trigger at all and want to unload the shotgun, you will have to remove the shells manually from the chambers after opening the mechanism.

Decocking Hammers/Un-Cock the Trigger Mechanism

To decock the hammers without possible firing pin damage, place a snapcap in each barrel before pulling the triggers (Figure 18).



Interchangeable Choke Tubes

STEEL SHOT WARNING!

Steel shot (up to and including size 2 shot) should not be fired through your shotgun with chokes tighter than modified. If larger than size 2 shot is used, the tightest choke used should be an improved cylinder.

INTERCHANGEABLE CHOKE MARKINGS				
No of Notches	No of Stars	Markings	Description	English
1	*	F	Full	FULL
2	**	IM	Improved Modified	$\frac{3}{4}$
3	***	M	Modified	$\frac{1}{2}$
4	****	IC	Improved Cylinder	$\frac{1}{4}$
5	*****	CYL	Cylinder	CYLINDER

6. DISASSEMBLY / RE-ASSEMBLY

- Verify that the chambers are empty and close the action.
- Pull down on the fore-end lever and remove the fore-end (Figure 19).
- Move the release lever to the right and open the action (Figure 20).
- Pivot the barrel downward at the muzzles and remove the barrel assembly from the receiver (Figure 21&22).



- Before re-assembly, verify that the barrel is free of bore obstructions.
- Holding the barrel assembly in one hand and the frame assembly in the other hand, engage the barrel pivot onto the hinge pin within the frame (Figure 23).
- Rotate the barrel upwards at the muzzles to close the action (Figure 24).
- Place the rear of fore-end iron against the receiver (Figure 25). Align the fore-end latch hook into the receiver (Figure 26) and carefully snap the fore-end into place.
- Push the fore-end lever closed – until it is flush with the fore-end surface (Figure 27).

6. DISASSEMBLY / RE-ASSEMBLY



7. CLEANING AND MAINTENANCE

ENSURE THAT YOUR FIREARM IS UNLOADED BEFORE BEGINNING TO CLEAN IT.

At the end of a day of shooting/hunting, clean and lubricate the shotgun.

Cleaning procedure:

- Disassemble the shotgun (See paragraph "Disassembly").
- Clean the bores with care by passing a cleaning rod with a cotton patch coated with a high-quality gun oil to remove combustion residues. Also include the chambers in your cleaning operation.
- Run a clean dry patch through the bores to remove oil residues.
- Lightly oil the inside of the barrels with a clean cotton patch coated in a high-quality gun oil.
- Clean with care the external surfaces of the shotgun to remove any trace of dirt, sweat and fingerprints.

Always follow the instructions provided with your gun cleaner and gun lubricant.

Whenever your firearm has been exposed to sand, dust, extreme humidity, water or other adverse conditions, it must be cleaned and lubricated.

If your firearm will be used in a cold climate, be sure to use an oil of an appropriate weight so that it will not congeal in cold temperatures.

NEVER MANIPULATE, ADJUST OR CHANGE ANY OF THE INTERNAL COMPONENTS, OF YOUR FIREARM.

ANY MAINTENANCE, ADJUSTMENT OR SERVICE NOT SPECIFIED IN THIS MANUAL MAY AFFECT THE SAFETY AND RELIABILITY OF YOUR FIREARM AND MUST BE PERFORMED BY A QUALIFIED GUN-SMITH USING GENUINE WEBLEY & SCOTT. IF YOU DO OTHERWISE, IMPROPER FUNCTIONING OF YOUR FIREARM MAY OCCUR AND SERIOUS INJURY OR DEATH MAY RESULT.

When storing, do not encase the shotgun in anything that will attract or hold moisture, for example, leather or heavy cloth. Also, do not store shotguns with a plug inserted in the barrel for this can be a contributing factor to moisture accumulation. If the shotgun is to be stored for an extended period, the bore, chamber and internal surfaces should be oiled with a high-quality lubricating oil or preservative intended for firearms.

The external parts; receiver, bolt and barrel should be coated with an anti-rust oil.

WS

WEBLEY & SCOTT

GUNMAKERS 1790



www.webley.co.uk