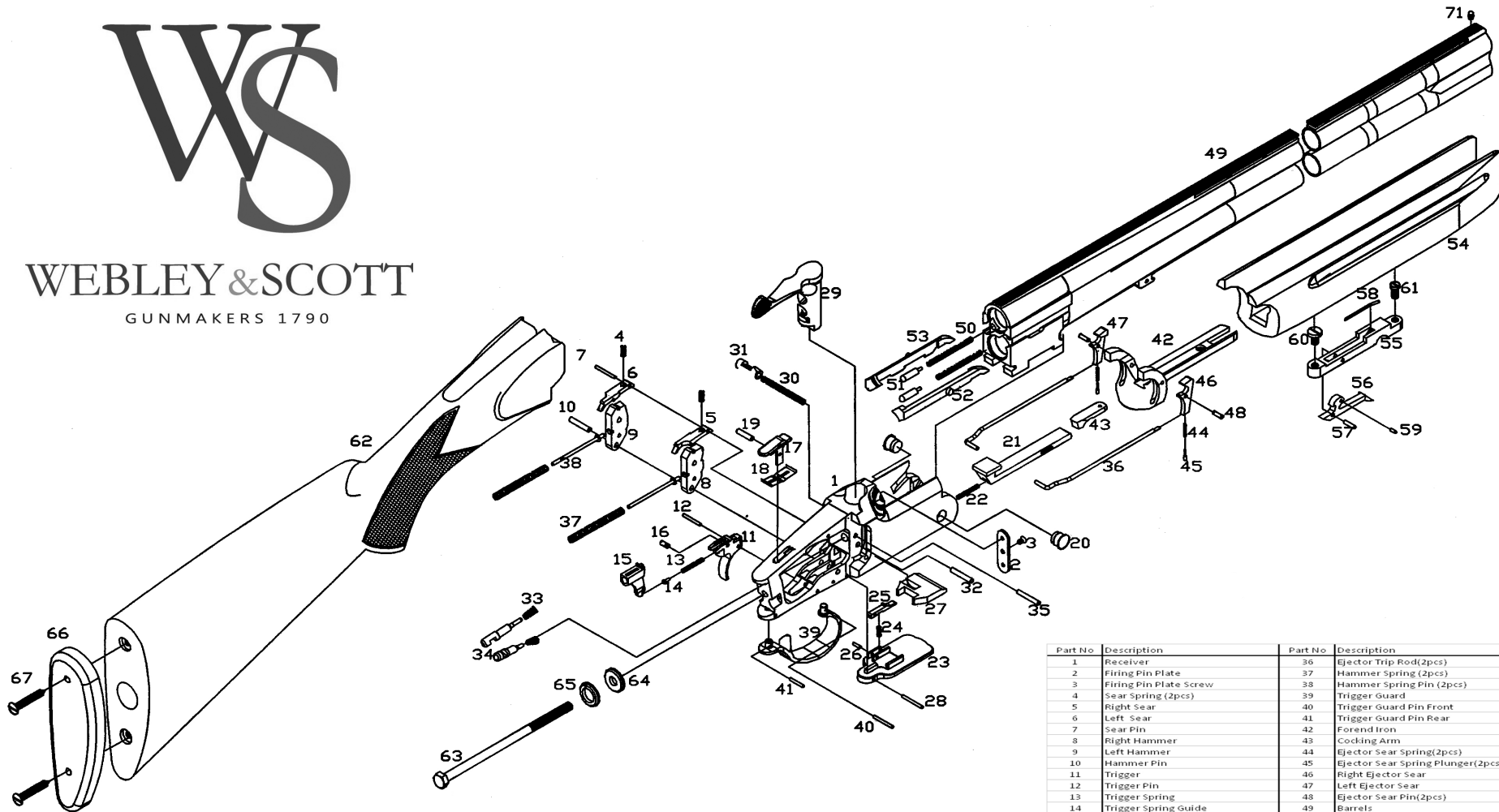


WS

WEBLEY & SCOTT

GUNMAKERS 1790



Webley & Scott Model 928 List of Parts

Part No	Description	Part No	Description
1	Receiver	36	Ejector Trip Rod(2pcs)
2	Firing Pin Plate	37	Hammer Spring (2pcs)
3	Firing Pin Plate Screw	38	Hammer Spring Pin (2pcs)
4	Sear Spring (2pcs)	39	Trigger Guard
5	Right Sear	40	Trigger Guard Pin Front
6	Left Sear	41	Trigger Guard Pin Rear
7	Sear Pin	42	Forend Iron
8	Right Hammer	43	Cocking Arm
9	Left Hammer	44	Ejector Sear Spring(2pcs)
10	Hammer Pin	45	Ejector Sear Spring Plunger(2pcs)
11	Trigger	46	Right Ejector Sear
12	Trigger Pin	47	Left Ejector Sear
13	Trigger Spring	48	Ejector Sear Pin(2pcs)
14	Trigger Spring Guide	49	Barrels
15	Selector Block	50	Ejector Spring (2pcs)
16	Selector Block Screw	51	Ejector Spring Plungers (2pcs)
17	Safety Catch	52	Ejector Bottom Barrel
18	Safety Catch Spring	53	Ejector Top Barrel
19	Safety Catch Pin	54	Forend Wood
20	Receiver Main Screw (2pcs)	55	Forend Latch Body
21	Cocking Rod	56	Forend Latch
22	Cocking Rod Spring	57	Forend Latch Pin
23	Floor Plate	58	Forend Latch Spring
24	Top Lever Retainer Spring	59	Forend Latch Stop Pin
25	Top Lever Retainer	60	Forend Latch Fixing Screw Rear
26	Top Lever Retainer Pin	61	Forend Latch Fixing Screw Front
27	Locking Bolt	62	Stock
28	Floor Plate Pin	63	Stock Bolt
29	Top Lever	64	Stock Bolt Washer
30	Top Lever Spring	65	Stock Bolt Spreader Washer
31	Top Lever Cap	66	Heel Pad
32	Top Lever Retaining Pin	67	Heel Pad Screw (2pcs)
33	Firing Pin Spring (2pcs)	71	Foresight Bead
34	Firing Pin (2pcs)		
35	Firing Pin Retaining Pin		