



RAIDER 12

USER MANUAL

RAIDER 12 .22 &.177 calibre
PRE-CHARGED AIR RIFLE

READ CAREFULLY BEFORE USING THIS FIREARM

IMPORTANT! Do not discard! Keep this manual with your rifle. It should accompany the rifle to any new owner.

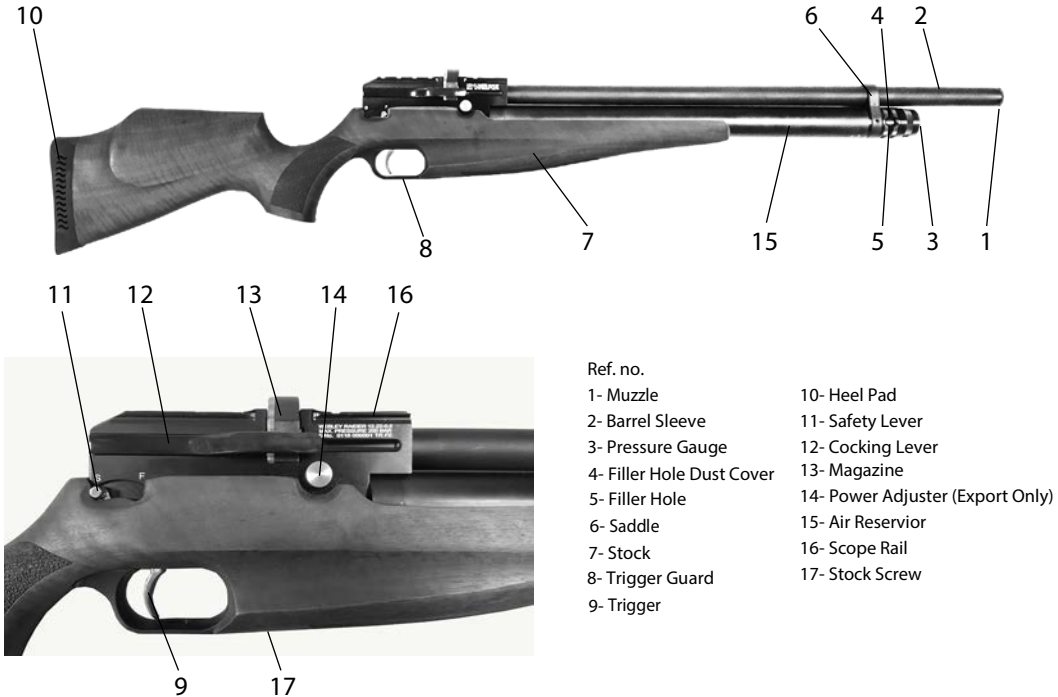
www.webley.co.uk |



YouTube



NOMENCLATURE



Webley Raider 12 Pre-Charged Pneumatic Air Rifle

The rifle incorporates many special design features which includes:

1. A lever action cocking and loading system.
2. A 12 shot .22 (5.5mm) or 14 shot .177 (4.5mm) automatic indexing rotary magazine both with a single shot option (using the single shot adaptor).
3. An adjustable 2 stage trigger mechanism.
4. A built-in gauge to monitor the cylinder pressure.
5. A precision steel rifled barrel to ensure pinpoint accuracy.
6. A barrel shroud incorporating the Quantum silencer system option.
7. An ambidextrous, custom style walnut stock with stippled pistol grip and forend.
8. A quick-fill system with integral dust cover.

RULES OF SAFE SHOOTING

- Never point a gun at anyone or anything, even if you think it's unloaded.
 - Wear shooting /safety glasses where appropriate and ensure those around you do also.
 - Always keep your gun on 'SAFE' until you are ready to shoot safely.
 - Always use a safe backstop, in a safe location in case the backstop should fail or any pellets pass through it.
 - Never load your gun until you are ready to shoot and it is safe to do so.
 - Never shoot at hard surfaces, water, or anything else that may cause a dangerous ricochet.
 - Always ensure a gun is on 'safe' and unloaded when receiving a gun or giving a gun to someone else. Many accidents are caused by people handling guns that they 'thought' were 'unloaded and safe'!
 - Never put a gun away loaded or cocked.
 - Always be sure of your target and what lies beyond should you miss.
 - Never attempt to re-use ammunition.
 - Ensure you always use the correct calibre ammunition that is suitable for your gun.
 - Never rely solely on the safety catch; the most important safety feature is you!
 - Always treat a gun as if it is loaded and with the respect any loaded firearm commands.
 - Always read and follow the manufacturer's manual and instructions.
 - Always make sure you understand how to use any gun before using it.
 - Always keep your finger off the trigger and clear of the trigger guard until you are ready to shoot and it is safe to do so.
 - Always store the gun in a safe place, unloaded and uncocked, and out of reach of children and other unauthorized users.
 - Always store ammunition separately from the gun.
 - Always abide by local and national firearm laws and regulations.
 - Always use the correct and recommended oils and greases, failure to do so may cause injury or damage.
 - Never use silicone oils or greases.
 - Other persons may not share your interest in shooting so act responsibly and as an ambassador for the sport.
- Shooting is one of the safest sports in the world, but remember that misuse and careless use of guns can cause serious injury or death.
ASK, LISTEN, THINK - IF IN DOUBT - DON'T!!!

USE OF TWO POSITION SAFETY:

SAFETY OPERATION.

The Webley Raider 12 is fitted with a two position safety situated on the right hand side of the receiver.

Position 1."OFF"

The safety lever (11) is pushed fully forward with the safety lever level with the "F" on the receiver. see Fig.3.

IN THIS POSITION THE GUN WILL FIRE WHEN THE TRIGGER IS PULLED.



Fig.3.

Position 2."ON"

The safety lever is pushed fully rearward adjacent to the "S" on the receiver. see Fig.4.

THE SAFETY IS TO PREVENT FIRING IF THE TRIGGER IS PULLED INADVERTENTLY. IT SHOULD NOT BE RELIED UPON TO PREVENT ADDITIONAL DISCHARGE FROM OTHER CAUSES.



Fig.4

RULES TO REMEMBER ABOUT A SAFETY

Never depend on a mechanical safety.

It is not a substitute for proper gun handling. Like all mechanical devices the safety is subject to breakage or malfunction and can be defeated by wear, abuse, dirt, corrosion, incorrect assembly of the arm, improper adjustment or repair, or lack of maintenance.

No mechanical safety is 'Childproof' or 'fool proof'.

No safety ever invented can be relied upon to prevent an accidental shooting by a determined child or foolhardy adult 'playing' with a gun. However, you can take and should take precautions to secure your airgun from unauthorised handling.

Never totally rely on a mechanical safety. It is no substitute for correct and safe gun handling practice. Like all mechanical devices the safety can be subject to breakage or malfunction and can be affected by wear, abuse, dirt, corrosion, incorrect assembly, improper adjustment or lack of maintenance.

Treat every air rifle as if you expect its mechanical safety to fail.

You will be astounded at how cautious you become and how little tolerance you will have for the complacency of others.

Be muzzle-aware.

Always be aware of where you point your air rifle making sure to point the muzzle away from anyone and if your intention is not to aim the air rifle at a target, chose to point it in the safest direction where if it was accidentally discharged it would do the least damage and could not ricochet. Do this regardless of whether the safety is on or whether the rifle is loaded.



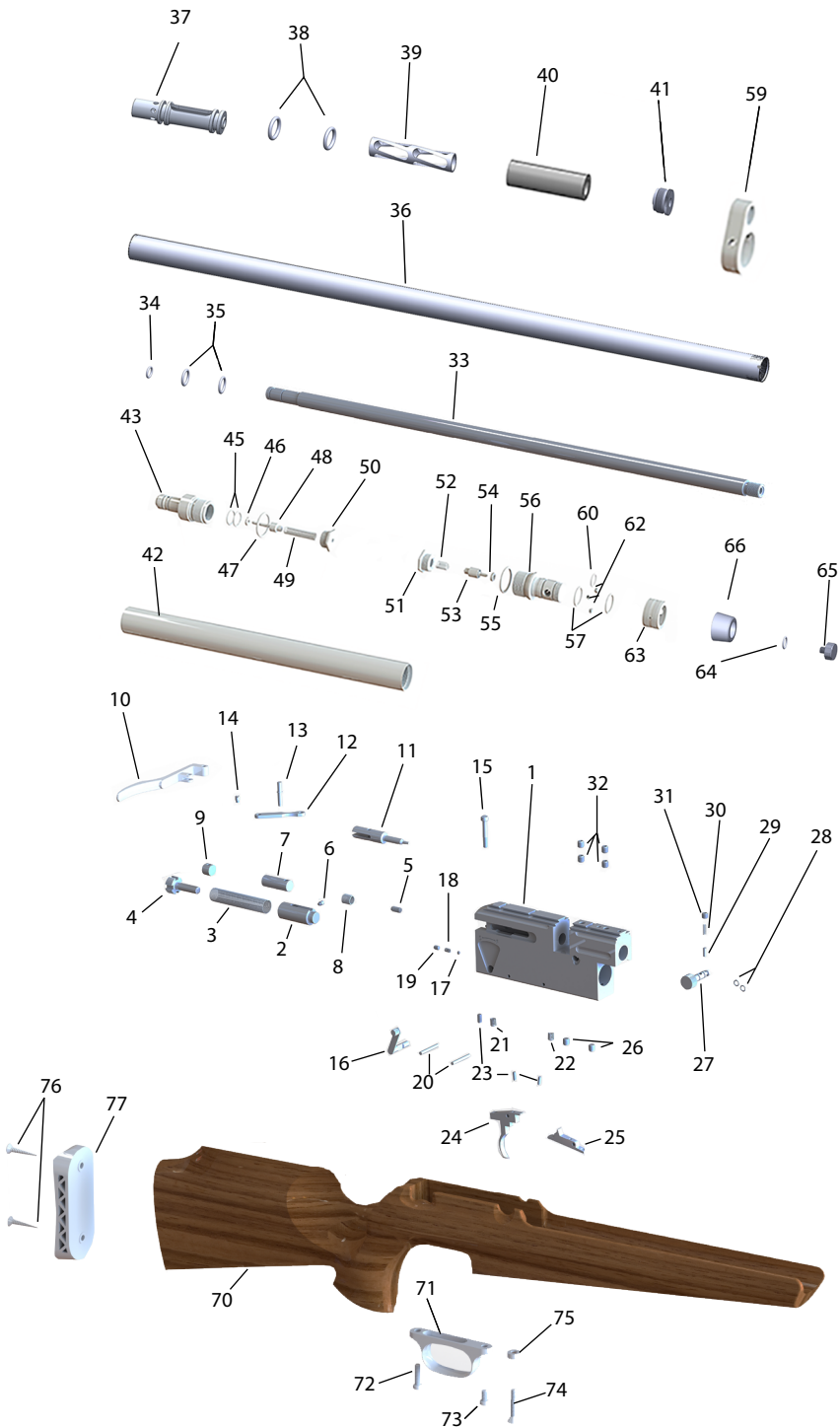
WEBLEY RAIDER 12
PCP AIR RIFLE
.22 & 177 calibre

READ CAREFULLY BEFORE USING THIS AIR RIFLE

IMPORTANT! Do not discard! Keep this manual with your rifle
It should accompany the rifle to any new owner

PLEASE QUOTE THESE NUMBERS WHEN ORDERING SPARE PARTS

Part No.	Description	Part No.	Description
1	RECEIVER	39	ACOUSTIC CAGE
2	HAMMER	40	ACOUSTIC FELT
3	HAMMER SPRING	41	MUZZLE CAP
4	POWER ADJUSTING SCREW	42	CYLINDER TUBE
5	FIXING SET SCREW	43	EXHAUST VALVE HOUSING
6	HAMMER AXIS SCREW	44	EXHAUST VALVE FRONT O RING
7	LOADING LEVER CONECTING BAR	45	EXHAUST VALVE HOUSING O RING
8	LOADING LEVER CONECTING BAR SPRING	46	EXHAUST VALVE FIBRE WASHER
9	LOADING LEVER PIVOT NUT	47	EXHAUST VALVE REAR O RING
10	LOADING LEVER	48	EXHAUST VALVE
11(.177)	PELLET PROBE .177	49	EXHAUST VALVE SPRING
11(.22)	PELLET PROBE .22	50	EXHAUST VALVE RETAINING NUT
12	LOADING LEVER INTERMEDIATE LINK	51	INLET VALVE RETAINING NUT
13	LOADING LEVER CONECTING PIN	52	INLET VALVE SPRING
14	LOADING LEVER CONECTING PIVOT	53	INLET VALVE
15	LOADING LEVER FULCRUM PIN	54	INLET VALVE FIBRE WASHER
16	SAFETY LEVER	55	INLET VALVE HOUSING REAR O RING
17	SAFETY LEVER DETENT BALL	56	INLET VALVE HOUSING
18	SAFETY LEVER DETENT SPRING	57	FILLER HOLE DUST COVER O RING
19	SAFETY LEVER FIXING SCREW	58	SADDLE STD BARREL
20	TRIGGER & SEAR AXIS PIN	59	SADDLE SHROUDED BARREL
21	TRIGGER SPRING	60	STD BARREL/SADDLE O RING
22	SEAR SPRING	61	SHROUDED BARREL/SADDLE O RING
23	TRIGGER & SEAR ADJUSTING SCREW	62	SADDLE FIXING SCREW
24	TRIGGER	63	FILLER HOLE DUST COVER
25	SEAR	64	PRESSURE GAUGE O RING
26	VALVE HOUSING SECURING SCREW	65	PRESSURE GAUGE
27	POWER ADJUSTER (EXPORT ONLY)	66	PRESSURE GAUGE SHROUD
28	POWER ADJUSTER O RING (EXPORT ONLY)	67	SINGLE SHOT ADAPTOR
29	POWER ADJUSTER DETENT	68	MAGAZINE .177
30	POWER ADJUSTER DETENT SPRING	69	MAGAZINE .22
31	POWER ADJUSTER DETENT SCREW	70	STOCK WALNUT
32	BARREL FIXING SCREWS	71	TRIGGER GUARD METAL
33(.177)	BARREL .177	72	TRIGGER GUARD REAR SCREW
33(.22)	BARREL .22	73	TRIGGER GUARD FRONT SCREW
34(.177)	BARREL INTERNAL O RING .177	74	STOCK FIXING SCREW
34(.22)	BARREL INTERNAL O RING .22	75	STOCK FIXING SCREW WASHER
35	BARREL EXTERNAL O RING	76	HEEL PAD SCREWS
36	BARREL SHROUD	77	HEEL PAD
37	MUZZLE DEFLECTOR	78(.177)	MAGAZINE .177
38	MUZZLE DEFLECTOR O RING	78(.22)	MAGAZINE .22





FILLING THE AIR RIFLE WITH AIR:

Attach the filling adapter to suitable charging / filling equipment, Webley Accupump or Webley Tri- Pump, Fig.5.

Rotate the filling port dust cover to allow access and then insert the filling adapter fully into the filling port. Do not use any other type of adapter other than that supplied with the rifle. Fig.6. **Slowly** fill the rifle to 200 bar pressure MAXIMUM. Filling the rifle quickly is unsafe and will create excess heat that may result in low or inaccurate fill pressure. Do not overfill as this will damage the gun and result in low power, such damage is not covered under warranty. **NOTE: only use dry and filtered breathing grade air, do not use any other gas as this will cause malfunction, injury or even death!**

When charging is complete, 'bleed' the excess air using the filling apparatus bleed screw, when all the air has been exhausted remove the filling adapter from the rifle. Rotate the dust cover to prevent contamination of the filling port when finished. If there is a problem filling the airgun to 200 bar, check that all connections are air tight, then check the condition of the "O" rings on the filling adaptor, any damage will cause leaks and prevent the airgun from being filled to full pressure.

Do not expose the air rifle to extreme high temperature for extended periods of time.

Do not transport by air when pressured above 80 bar.



Fig.5.



Fig.6.

LUBRICATION

The Webley Raider 12 has been designed to run virtually maintenance free between services, at which time all necessary lubrication will be carried out.

In the unlikely event that the rifle requires extra lubrication between services.

It is recommended that you do not apply any form of lubrication to the trigger mechanism of the rifle and remains as set by the factory or a qualified technician.

Over lubrication or over oiling of the rifle will result in the attraction and accumulation of dust, dirt and grit, which will affect the rifle's performance.

Do not spray any oils directly on to the rifle, as this may enter the gun and disperse factory applied greases and may cause the gun to jam.

LOADING THE MULTI-SHOT MAGAZINE

1. Rotate the clear front cover in the direction of the arrow (clockwise) until the stop position is reached, the hole to place the first pellet will be clearly visible through the cut out in the clear front cover. Fig.7.
2. Once the first pellet is in position the spring pressure on the clear front cover is released and the clear front cover is now free to rotate. Fig.8.
3. Rotate the clear front cover anti clockwise and as each pellet hole is revealed, insert a pellet. Fig.9.
4. When all pellet holes are full, rotate the clear front cover back to its original position. Fig.10.

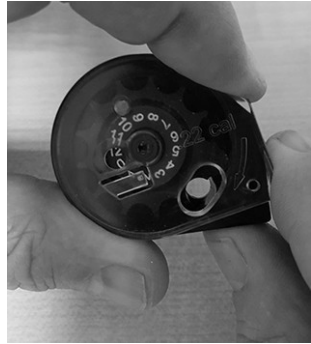


Fig.7.

RECOMMENDED PELLETS

WEBLEY MOSQUITO

High End Accuracy designed for Target & Long Range Hunting

WEBLEY ACCUPELL FT

Lubricated to give Extreme Performance.

WEBLEY ACCUPELL

Proven to give Accuracy and Penetration.

WEBLEY VMX

Ideal for General Plinking, Vermin Control & Target use

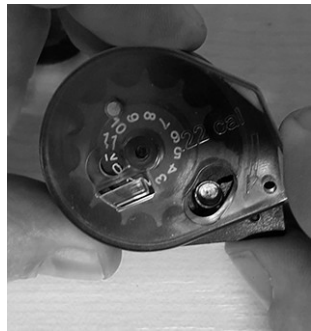


Fig.8.

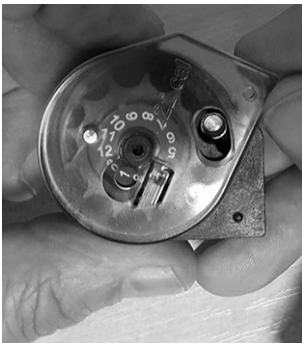


Fig.9.



Fig.10.

ADJUSTING THE TRIGGER

Make sure the rifle is unloaded by removing the magazine and ensure there are no pellets in the breech.

First stage adjustment.

The first stage adjustment can be carried out with the stock fitted. The adjustment screw can be accessed through a hole in the trigger guard.

Fig.11. Using a 2mm Allen key, turn the screw clockwise to decrease the amount of first stage travel and counter clockwise to increase the amount of first stage travel.

Second stage and sear adjustment.

This adjustment of the second stage requires the stock to be removed. The stock screw is situated forward of the trigger guard. Fig.12. Using a 2mm Allen key, turn the screw clockwise to decrease the amount of second stage travel and sear engagement and counter clockwise to increase the amount of second stage travel and sear engagement.

Note: this adjustment affects sear engagement, it may be necessary to alter both adjustments to achieve the desired setting; adjustment of one screw may affect the other settings. Do not over-adjust as this may cause the gun to fire prematurely or not operate correctly making the rifle unsafe, always check your settings to ensure correct and safe operation of the rifle. Always ensure that operation of the safety is unaffected by any alterations you make.



Fig.11.

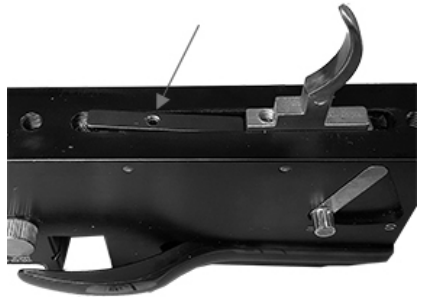


Fig.12.

3 YEAR WARRANTY

Webley air guns are manufactured to the highest possible standards, using the finest materials, to give a lifetime of service. In the unlikely event of there being a defect in material or workmanship, at any time within three years of date of purchase Webley undertake to repair or replace the airgun (at Webley's discretion). Warranty is only valid for the original purchaser and cannot be transferred to subsequent owners. Warranty must be registered to be valid. Register your warranty, and to view all conditions and see all Webley products at: www.webley.co.uk

**See Webley's and Webley & Scott's full range
of sporting products at:**

www.webley.co.uk

