



Webley 12 Series

PRE - CHARGED AIR RIFLE



USER MANUAL

Models included :

RAIDER 12

MASTIFF 12

ENFORCER 12

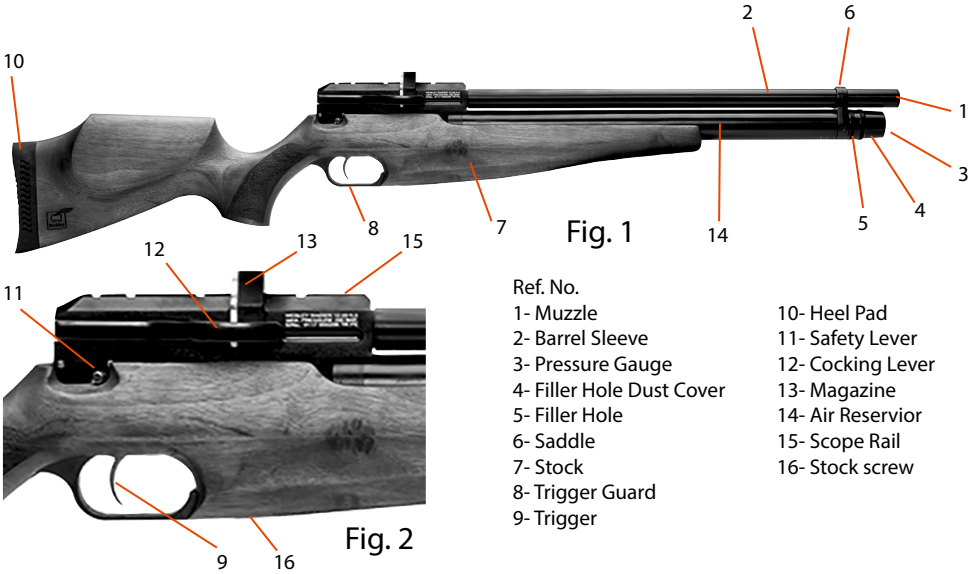
ECLIPSE 12

READ CAREFULLY BEFORE USING THIS FIREARM

IMPORTANT! Do not discard! Keep this manual with your rifle. It should accompany the rifle to any new owner.

NOMENCLATURE

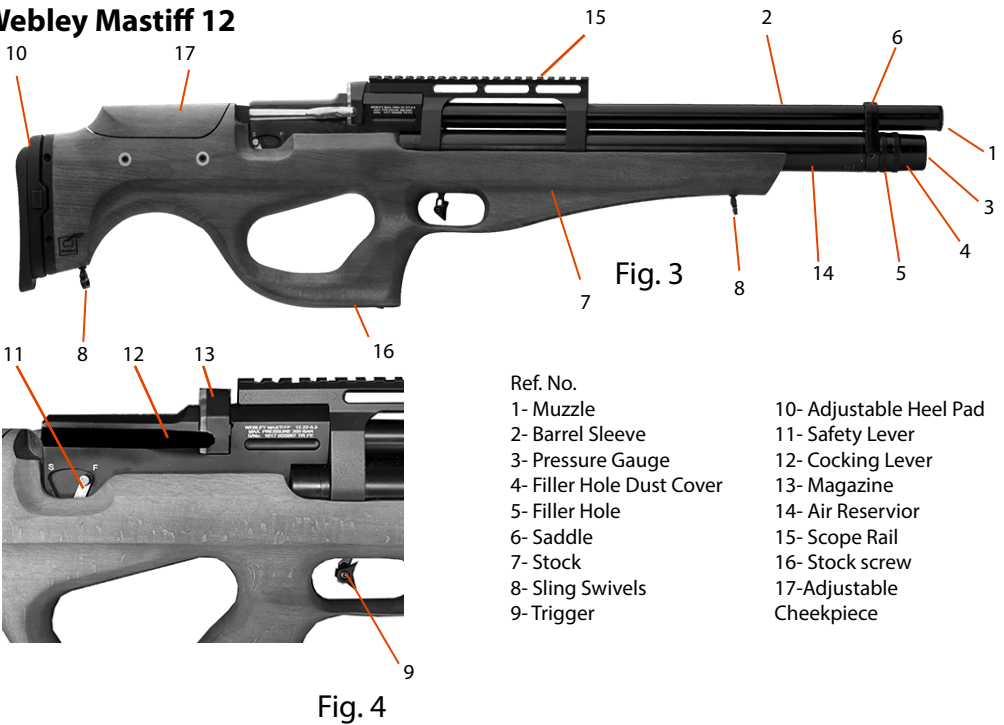
Webley Raider 12



Ref. No.

- 1- Muzzle
- 2- Barrel Sleeve
- 3- Pressure Gauge
- 4- Filler Hole Dust Cover
- 5- Filler Hole
- 6- Saddle
- 7- Stock
- 8- Trigger Guard
- 9- Trigger
- 10- Heel Pad
- 11- Safety Lever
- 12- Cocking Lever
- 13- Magazine
- 14- Air Reservoir
- 15- Scope Rail
- 16- Stock screw

Webley Mastiff 12



Ref. No.

- 1- Muzzle
- 2- Barrel Sleeve
- 3- Pressure Gauge
- 4- Filler Hole Dust Cover
- 5- Filler Hole
- 6- Saddle
- 7- Stock
- 8- Sling Swivels
- 9- Trigger
- 10- Adjustable Heel Pad
- 11- Safety Lever
- 12- Cocking Lever
- 13- Magazine
- 14- Air Reservoir
- 15- Scope Rail
- 16- Stock screw
- 17-Adjustable Cheekpiece

NOMENCLATURE

Webley En4cer 12

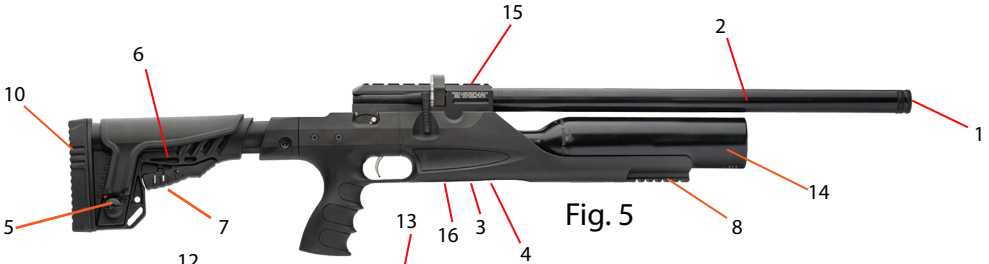


Fig. 5

Ref. No.

- | | |
|--------------------------|-------------------|
| 1- Muzzle | 10- Heel Pad |
| 2- Barrel Sleeve | 11- Safety Lever |
| 3- Pressure Gauge | 12- Cocking Lever |
| 4- Filler Connector | 13- Magazine |
| 5- Cheekpiece Adjuster | 14- Air Reservoir |
| 6- Butt Stock | 15- Scope Rail |
| 7- Stock Length Adjuster | 16- Stock screw |
| 8- Accessory Rail | |
| 9- Trigger | |

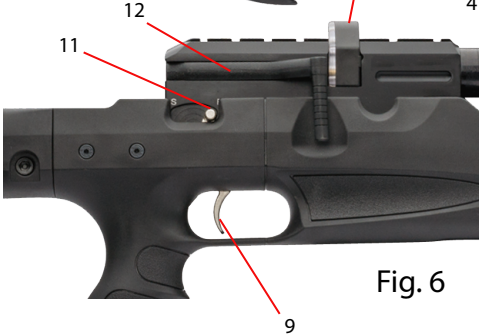


Fig. 6

Webley Eclipse 12



Fig. 7

Ref. No.

- | | |
|---------------------------|-------------------|
| 1- Muzzle | 10- Heel Pad |
| 2- Barrel | 11- Safety Lever |
| 3- Pressure Gauge | 12- Cocking Lever |
| 4- Filler Hole Dust Cover | 13- Magazine |
| 5- Filler Hole | 14- Air Reservoir |
| 6- Butt Stock | 15- Scope Rail |
| 7- Stock Length Adjuster | 16- Stock screw |
| 8- Accessory Rail | |
| 9- Trigger | |

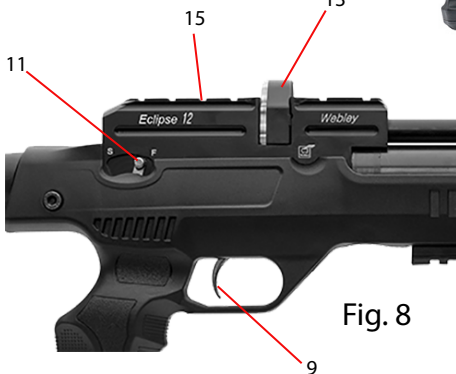


Fig. 8

Webley Raider 12 PCP Air Rifle

The rifle incorporates many special design features which includes :

1. A lever action cocking and loading system.
2. A 12 shot .22 (5.5mm) or 14 shot .177 (4.5mm) automatic indexing rotary magazine both with a single shot option (using the single shot adaptor).
3. An adjustable 2 stage trigger mechanism.
4. A built-in gauge to monitor the cylinder pressure.
5. A precision steel rifled barrel to ensure pinpoint accuracy.
6. A barrel shroud incorporating the Quantum silencer system option.
7. An ambidextrous, custom style walnut stock with stippled pistol grip and forend.
8. A quick-fill system with integral dust cover.

Webley Mastiff 12 PCP Semi- Bullpup Air Rifle

This rifle shares all the design features of the Raider 12 all housed in Webley Semi- Bullpup Walnut stock which includes :

1. Height adjustable cheekpiece.
2. Adjustable heel pad for both position and length of pull.
3. Sling swivel studs.
4. Integral picatinny scope rail.

Webley En4cer 12 PCP Tactical Bottle Air Rifle

This rifle shares all the design features of the Raider 12 with the addition of :

1. Tactical synthetic black polymer full pistol grip and fully adjustable AR style stock.
2. 0.42 litre bottle reservoir to give greater shots per fill.
3. Integral picatinny scope rails including under forend rail.

Webley Eclipse 12 PCP Air Pistol

This pistol incredibly shares many of the Raider 12 features packaged in a pistol and also comes with :

1. Ambidexious synthetic frame.
2. Detachable AR style butt.

RULES OF SAFE SHOOTING

- Never point a gun at anyone or anything, even if you think it's unloaded.
 - Wear shooting /safety glasses where appropriate and ensure those around you do also.
 - Always keep your gun on 'SAFE' until you are ready to shoot safely.
 - Always use a safe backstop, in a safe location in case the backstop should fail or any pellets pass through it.
 - Never load your gun until you are ready to shoot and it is safe to do so.
 - Never shoot at hard surfaces, water, or anything else that may cause a dangerous ricochet.
 - Always ensure a gun is on 'safe' and unloaded when receiving a gun or giving a gun to someone else. Many accidents are caused by people handling guns that they 'thought' were 'unloaded and safe'!
 - Never put a gun away loaded or cocked.
 - Always be sure of your target and what lies beyond should you miss.
 - Never attempt to re-use ammunition.
 - Ensure you always use the correct calibre ammunition that is suitable for your gun.
 - Never rely solely on the safety catch; the most important safety feature is you!
 - Always treat a gun as if it is loaded and with the respect any loaded firearm commands.
 - Always read and follow the manufacturer's manual and instructions.
 - Always make sure you understand how to use any gun before using it.
 - Always keep your finger off the trigger and clear of the trigger guard until you are ready to shoot and it is safe to do so.
 - Always store the gun in a safe place, unloaded and uncocked, and out of reach of children and other unauthorized users.
 - Always store ammunition separately from the gun.
 - Always abide by local and national firearm laws and regulations.
 - Always use the correct and recommended oils and greases, failure to do so may cause injury or damage.
 - Never use silicone oils or greases.
 - Other persons may not share your interest in shooting so act responsibly and as an ambassador for the sport.
- Shooting is one of the safest sports in the world, but remember that misuse and careless use of guns can cause serious injury or death.
ASK, LISTEN, THINK - IF IN DOUBT - DON'T!!!

USE OF TWO POSITION SAFETY:

SAFETY OPERATION.

The Webley 12 PCPs are fitted with a two position safety situated on the right hand side of the receiver.

Position 1."OFF"

The safety lever (11) is pushed fully forward with the safety lever level with the "F" on the receiver. see Fig. 9.

IN THIS POSITION THE GUN WILL FIRE WHEN THE TRIGGER IS PULLED.



Fig. 9

Position 2."ON"

The safety lever is pushed fully rearward adjacent to the "S" on the receiver. see Fig.10.

THE SAFETY IS TO PREVENT FIRING IF THE TRIGGER IS PULLED INADVERTENTLY. IT SHOULD NOT BE RELIED UPON TO PREVENT ADDITIONAL DISCHARGE FROM OTHER CAUSES.



Fig. 10

RULES TO REMEMBER ABOUT A SAFETY

Never depend on a mechanical safety.

It is not a substitute for proper gun handling. Like all mechanical devices the safety is subject to breakage or malfunction and can be defeated by wear, abuse, dirt, corrosion, incorrect assembly of the arm, improper adjustment or repair, or lack of maintenance.

No mechanical safety is 'Childproof' or 'fool proof'.

No safety ever invented can be relied upon to prevent an accidental shooting by a determined child or foolhardy adult 'playing' with a gun. However, you can take and should take precautions to secure your airgun from unauthorised handling.

Never totally rely on a mechanical safety. It is no substitute for correct and safe gun handling practice. Like all mechanical devices the safety can be subject to breakage or malfunction and can be affected by wear, abuse, dirt, corrosion, incorrect assembly, improper adjustment or lack of maintenance.

Treat every air rifle as if you expect its mechanical safety to fail.

You will be astounded at how cautious you become and how little tolerance you will have for the complacency of others.

Be muzzle-aware.

Always be aware of where you point your air rifle making sure to point the muzzle away from anyone and if your intention is not to aim the air rifle at a target, chose to point it in the safest direction where if it was accidentally discharged it would do the least damage and could not ricochet. Do this regardless of whether the safety is on or whether the rifle is loaded.

FILLING THE AIR RIFLE WITH AIR

Raider 12, Mastiff 12 & Eclipse 12

Attach the filling adaptor to suitable charging / filling equipment, Webley Accupump or Webley Tri- Pump. Fig.11.

Rotate the filling port dust cover to allow access and then insert the filling adapter fully into the filling port. Do not use any other type of adapter other than that supplied with the rifle. Fig 12. **Slowly** fill the rifle to 200 bar pressure **MAXIMUM**. Filling the rifle quickly is unsafe and will create excess heat that may result in low or inaccurate fill pressure. Do not overfill as this will damage the gun and result in low power, such damage is not covered under warranty. **NOTE: only use dry and filtered breathing grade air, do not use any other gas as this will cause malfunction, injury or even death!**

When charging is complete, 'bleed' the excess air using the filling apparatus bleed screw, when all the air has been exhausted remove the filling adapter from the rifle. Rotate the dust cover to prevent contamination of the filling port when finished. If there is a problem filling the airgun to 200 bar, check that all connections are air tight, then check the condition of the "O" rings on the filling adaptor, any damage will cause leaks and prevent the airgun from being filled to full pressure.

Do not expose the air rifle to extreme high temperature for extended periods of time.

Do not transport by air when pressured above 2 bar.



Fig. 11

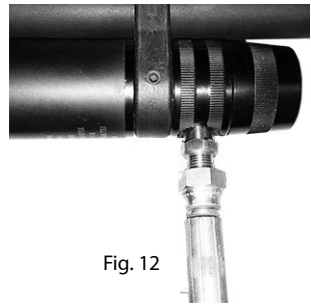


Fig. 12

En4cer 12

Attach the filling adaptor to suitable charging / filling equipment, Webley Accupump or Webley Tri-Pump. Fig 13.

The Webley En4cer is fitted a snap-on charging connector located on the underside of the gun just in front of the pressure gauge. Attach the supplied connector on to the mating connector on the gun. Ensure the outer sleeve is fully forward and that the connectors are secure. Check that the bleed screw on your charging equipment is fully closed. Slowly fill the gun to 200 bar pressure **MAXIMUM**. Filling the gun quickly is unsafe and will create excess heat that may result in low or inaccurate fill pressure. Do not overfill as this will damage the gun and result in low power, such damage is not covered under warranty.

NOTE: only use dry and filtered breathing grade air, do not use any other gas as this will cause malfunction, injury or even death! When charging is complete, 'bleed' the excess air using the filling apparatus bleed screw, when all the air has been exhausted remove the filling adapter from the rifle.

Do not expose the air rifle to extreme high temperature for extended periods of time.

Do not transport by air when pressured above 2 bar.



Fig. 13



Fig. 14

LOADING THE MULTI-SHOT MAGAZINE

1. Rotate the clear front cover in the direction of the arrow (clockwise) until the stop position is reached, the hole to place the first pellet will be clearly visible through the cut out in the clear front cover. Fig. 15.
2. Once the first pellet is in position the spring pressure on the clear front cover is released and the clear front cover is now free to rotate. Fig. 16.
3. Rotate the clear front cover anti clockwise and as each pellet hole is revealed, insert a pellet. Fig. 17.
4. When all pellet holes are full, rotate the clear front cover back to its original position. Fig. 18.

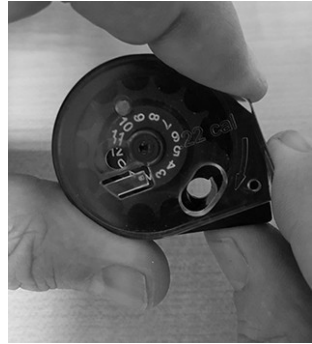


Fig. 15

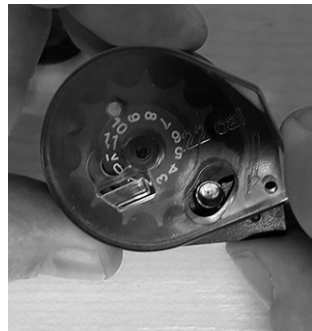


Fig. 16

RECOMMENDED PELLETS

WEBLEY MOSQUITO

High End Accuracy designed for Target & Long Range Hunting

WEBLEY ACCUPELL FT

Lubricated to give Extreme Performance.

WEBLEY ACCUPELL

Proven to give Accuracy and Penetration.

WEBLEY VMX

Ideal for General Plinking, Vermin Control & Target use

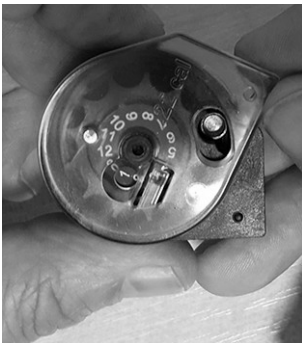


Fig. 17



Fig. 18

TRIGGER ADJUSTMENT

Raider 12 & En4cer 12

Make sure the rifle is unloaded by removing the magazine and ensuring there are no pellets in the chamber. Turn the screw clockwise to decrease the amount of first stage travel and counter clockwise to increase the amount of first stage travel.

First stage adjustment.

The first stage adjustment can be carried out with the stock fitted. The adjustment can be accessed through a hole in the trigger guard. Fig.19 Using a 2mm Allen key, turn the screw clockwise to decrease the amount of first stage travel and counter clockwise to increase the amount of 1st stage travel.

Second stage and sear adjustment.

The adjustment of the second stage requires the stock to be removed. The stock screw is situated forward of the trigger guard. Fig20. Using a 2mm Allen key, turn the screw clockwise to decrease the amount of second stage travel and sear engagement. Turn counter clockwise to increase the amount of second stage travel and sear engagement.

Mastiff 12 & Eclipse 12.

Make sure the rifle is unloaded by removing the magazine and ensuring there are no pellets in the chamber.

The stock needs to be removed for all trigger adjustments.

First stage adjustment.

The first stage adjustment is achieved by rotating the M3 nut. Fig. 21. Turn the nut clockwise to decrease the amount of first stage travel and counter clockwise to increase the amount of 1st stage travel.

Second stage and sear adjustment.

The adjustment of the second stage requires the stock to be removed. The stock screw is situated forward of the trigger guard. Fig. 22. Using a 2mm Allen key, turn the screw clockwise to decrease the amount of second stage travel and sear engagement. Turn counter clockwise to increase the amount of second stage travel and sear engagement.

Note: this adjustment affects sear engagement, it may be necessary to alter both adjustments to achieve the desired setting; adjustment of one screw may affect the other settings. Do not over-adjust as this may cause the gun to fire prematurely or not operate correctly making the rifle unsafe, always check your settings to ensure correct and safe operation of the rifle. Always ensure that operation of the safety is unaffected by any alterations you make.



Fig. 19

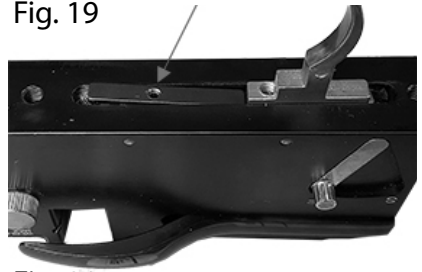


Fig. 20

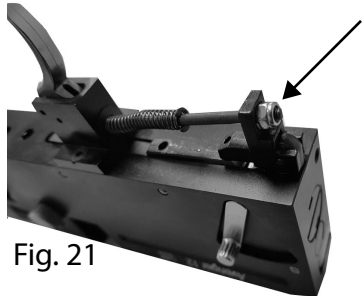


Fig. 21

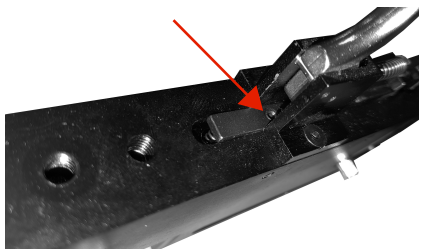


Fig. 22

LUBRICATION

The Webley Raider 12 has been designed to run virtually maintenance free between services, at which time all necessary lubrication will be carried out.

In the unlikely event that the rifle requires extra lubrication between services.

It is recommended that you do not apply any form of lubrication to the trigger mechanism of the rifle and remains as set by the factory or a qualified technician.

Over lubrication or over oiling of the rifle will result in the attraction and accumulation of dust, dirt and grit, which will affect the rifle's performance.

Do not spray any oils directly on to the rifle, as this may enter the gun and disperse factory applied greases and may cause the gun to jam.

3 YEAR WARRANTY

Webley air guns are manufactured to the highest possible standards, using the finest materials, to give a lifetime of service. In the unlikely event of there being a defect in material or workmanship, at any time within three years of date of purchase Webley undertake to repair or replace the airgun (at Webley's discretion). Warranty is only valid for the original purchaser and cannot be transferred to subsequent owners. Warranty must be registered to be valid. Register your warranty, and to view all conditions and see all Webley products at: www.webley.co.uk

Notes.

Model:

Serial No.:

Date Purchased:

Purchased From:

Service History:

Webley Airgun Pellets



Accupell
Probably the worlds most accurate airgun ammo.
Domed .177 : 7.9gr .22 : 14.3gr.



Accupell FT
Developed for where consistency is critical.
Domed .177 : 8.18gr .22 : 14.66gr.



Matchpell
Target pellet equally at home controlling vermin.
Flat Head. .177 : 7.9gr.



Verminpell
Designed as the ultimate close range pest control pellet. Flat Head. .22 : 14.3gr.



Mosquito Express
Back by popular request the ultimate all multi purpose pellet. Domed. .177 : 7.9gr .22 : 14.35gr.



VMX pell
Performance pellet for general plinking, hunting & target use. Aero-Domed. .177 : 8.18gr .22 : 14.66gr.



Powapell
When greater penetration is required.
Pointed. .177 : 7.9gr .22 : 14.3gr.



Velocipell
Light weight pellet to give higher velocity
Flat Head. .177 : 7.26gr.

**See Webley's and Webley & Scott's full range
of sporting products at:**

www.webley.co.uk

