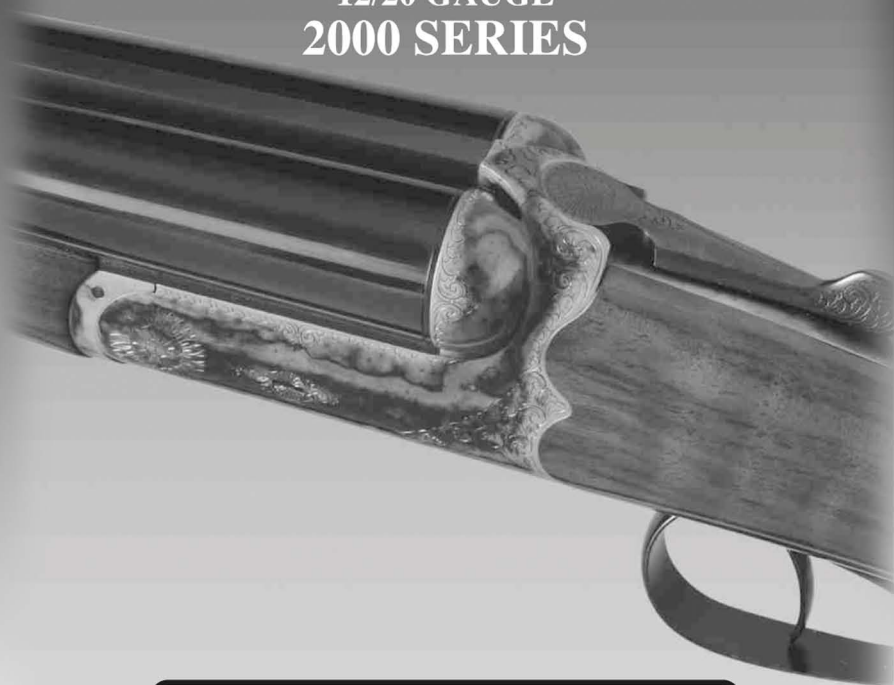


WS WEBLEY & SCOTT
GUNMAKERS 1790

USER'S MANUAL

MODEL: SIDE BY SIDE

**12/20 GAUGE
2000 SERIES**



**READ THE INSTRUCTIONS
AND WARNINGS
IN THIS MANUAL
CAREFULLY
BEFORE
USING THIS SHOTGUN!**

BECAUSE OF TRAPPED MOISTURE THAT MAY CAUSE RUSTING IT IS NOT ADVISEABLE TO STORE YOUR SHOTGUN IN A CARRY CASE.

SAFETY RULES

INDEX

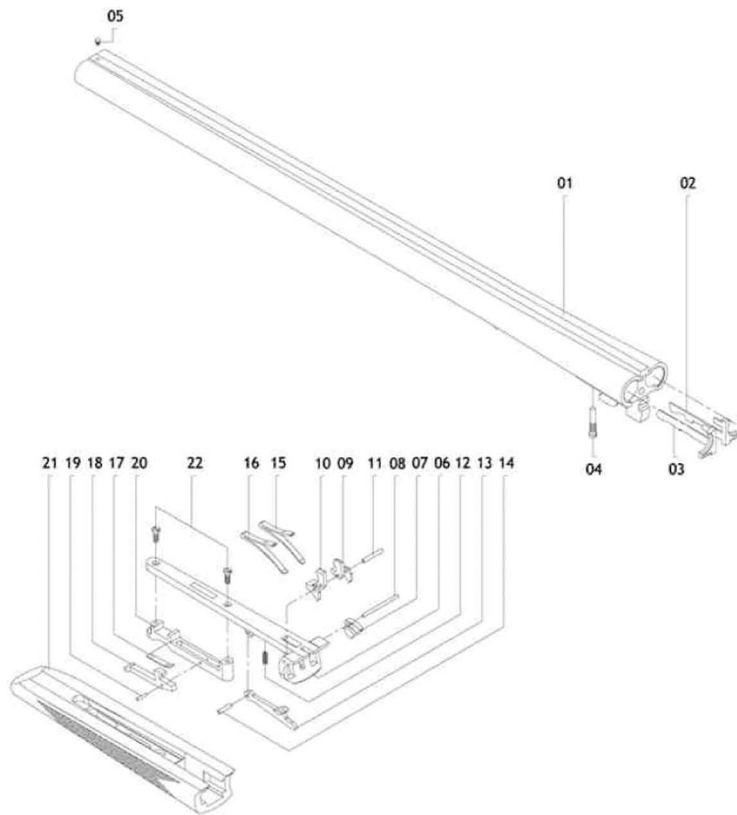
EXPLODED VIEW	2
SAFETY RULES	3
NOMENCLATURE	4
INSPECTING AND INITIAL ASSEMBLY	5
LOADING AND USAGE	7
UNLOADING	8
DISASSEMBLY - FIELD STRIPPING	9
EXPLODED VIEW	11
CLEANING AND MAINTENANCE	13

WARNING: THE FAILURE TO FOLLOW THESE SHOTGUN SAFETY REQUIREMENTS WILL CAUSE SERIOUS PERSONAL INJURY OR DEATH TO YOU OR OTHERS.

- ALWAYS TREAT ALL FIREARMS AS IF THEY WERE LOADED. NEVER ASSUME THAT A FIREARM IS UNLOADED.
- NEVER POINT THE FIREARMS AT SOMETHING THAT IS NOT SAFE TO SHOOT.
- STORE ALL THE FIREARMS SO THAT CHILDREN CANNOT GAIN ACCESS TO THEM. IT IS YOUR RESPONSIBILITY TO INSURE THAT UNAUTHORIZED PERSONS DO NOT GAIN ACCESS TO YOUR FIREARM. TO REDUCE THE RISK OF ACCIDENTS INVOLVING CHILDREN, UNLOAD YOUR FIREARM, LOCK IT AND STORE THE AMMUNITION IN A SEPERATE LOCKED LOCATION.
- ALWAYS WEAR ADEQUATE AND PROPER EAR PROTECTORS.
- ALWAYS WEAR SAFETY PROTECTIVE GLASSES SPECIFIED FOR FIREARM USE.
- ALWAYS BE ALERT AND ALWAYS FOLLOW THE SAFETY INSTRUCTIONS OF THE RANGE OFFICER. NEVER SHOOT IF YOU ARE TIRED, COLD OR IMPAIRED IN ANY WAY.
- ALWAYS BE AWARE OF OTHER PEOPLE SO THAT PERSONS CANNOT ACCIDENTALLY WALK INTO THE LINE OF FIRE.
- THE SHOOTER (AND ALL OTHERS IN THE SHOOTING AREA) MUST ALWAYS BE IN A POSITION THAT IS OUT OF THE LINE OF FIRE.
- NEVER SHOOT AT HARD SURFACES, WATER OR RANDOMLY INTO THE SKY. ALWAYS SELECT A PLACE TO SHOOT THAT HAS A SAFE BACKSTOP AND IS FREE FROM OBSTRUCTIONS AND WATER SURFACES WHICH CAUSE RICOCHETS.
- NEVER CLIMB A TREE, FENCE OR OBSTRUCTION WITH A LOADED FIREARM. OPEN AND EMPTY THE CHAMBER OF YOUR FIREARM AND ENGAGE THE MANUAL SAFETY BEFORE CLIMBING OR DESCENDING A TREE OR BEFORE CLIMBING A FENCE OR JUMPING OVER A DITCH OR OBSTRUCTION.
- NEVER TRANSPORT A LOADED FIREARM.
- NEVER USE ALCOHOL OR DRUGS BEFORE OR WHILE SHOOTING OR HANDLING ANY FIREARM.

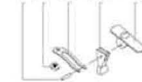
EXPLODED VIEW

WS2012SS/WS2020SS

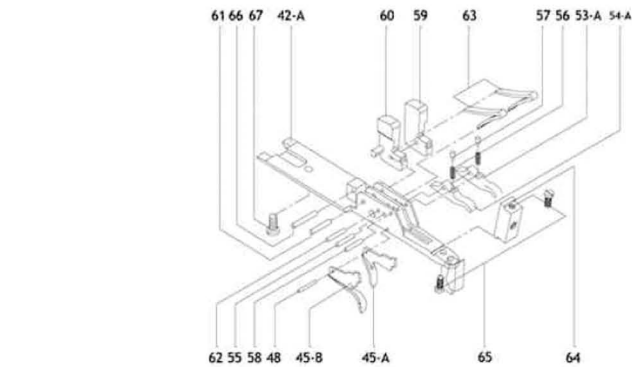
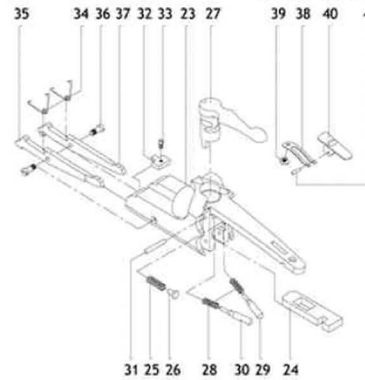


DOUBLE TRIGGER

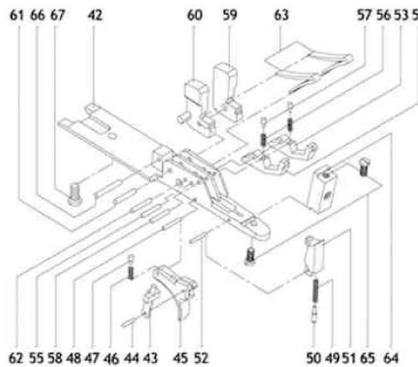
41 39 38 40-A 40



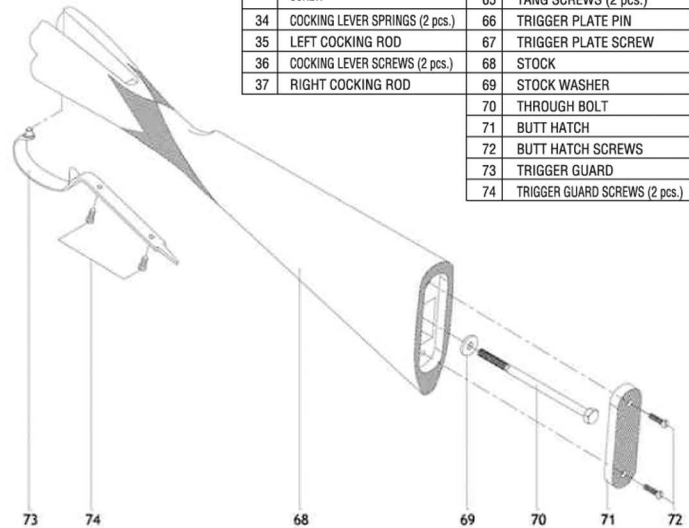
SINGLE TRIGGER



DOUBLE TRIGGER



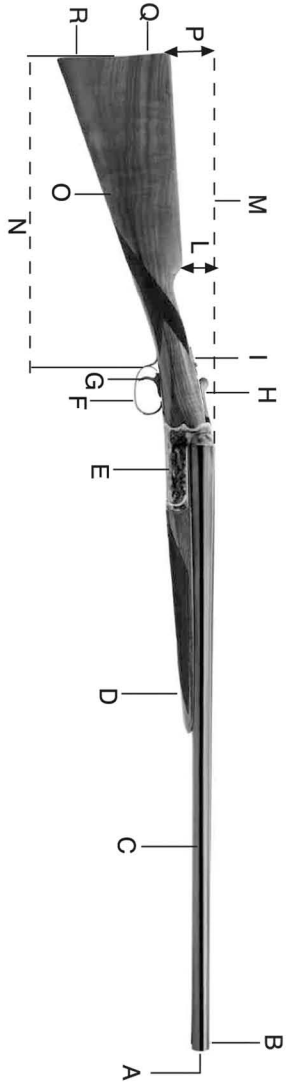
SINGLE TRIGGER



STOCK NO	PART NAME	STOCK NO	PART NAME
01	BARRELS	38	SAFETY SLIDE SPRING
02	RIGHT EJECTOR	39	SAFETY SPRING SCREW
03	LEFT EJECTOR	40	SAFETY SLIDE
04	EJECTOR SCREW	40-A	SAFETY LEVER
05	SIGHT BEAD	41	SAFETY SLIDE RETAINER PIN
06	FORE-END-HANGER	42	DOUBLE TRIGGER PLATE
07	EXTRACTOR HAMMER	42-A	SINGLE TRIGGER PLATE
08	EXTRACTOR HAMMER PIN	43	LOWER SELECTOR BLOCK
09	LEFT EJECTOR HAMMER	44	FRONT TRIGGER PIN
10	RIGHT EJECTOR HAMMER	45	SINGLE TRIGGER
11	EJECTOR HAMMER PIN	45-A	LEFT TRIGGER
12	EJECTOR COCKING LEVER SPRING	45-B	RIGHT TRIGGER
13	EJECTOR COCKING LEVER	46	TRIGGER SPRING
14	EJECTOR HAMMER PIN	47	TRIGGER SPRING PIN
15	RIGHT EJECTOR SPRING	48	TRIGGER PIN
16	LEFT EJECTOR SPRING	49	SELECTOR BLOCK SPRING
17	FORE-END RELEASE SPRING	50	SELECTOR BLOCK PLUNDER
18	FORE-END RELEASE	51	UPPER SELECTOR BLOCK
19	FORE-END RELEASE PIN	52	TRIGGER BLOCK PIN
20	FORE-END RELEASE FRAME	53	SINGLE TRIGGER RIGHT SEAR
21	FORE-END	53-A	DOUBLE TRIGGER RIGHT SEAR
22	FORE-END SCREWS (2 pcs.)	53-B	DOUBLE TRIGGER LEFT SEAR
23	RECEIVER	54	SINGLE TRIGGER LEFT SEAR
24	LOCKING BOLT	55	SEAR PIN
25	TOP LEVER SPRING	56	SEAR SPRINGS (2 pcs.)
26	TOP LEVER SPRING CAP	57	SEAR SPRING CAPS (2 pcs.)
27	TOP LEVER/SPINDLE	58	SEAR SPRING PIN
28	FIRING PIN SPRINGS	59	RIGHT HAMMER
29	RIGHT STRIKER	60	LEFT HAMMER
30	LEFT STRIKER	61	HAMMER PIN
31	STRIKER PIN	62	HAMMER SPRING PIN
32	RECEIVER EJECTOR COCKING LEVER	63	HAMMER SPRINGS (2 pcs.)
33	RECEIVER EJECTOR COCKING LEVER SCREW	64	RECOIL LUG
34	COCKING LEVER SPRINGS (2 pcs.)	65	TANG SCREWS (2 pcs.)
35	LEFT COCKING ROD	66	TRIGGER PLATE PIN
36	COCKING LEVER SCREWS (2 pcs.)	67	TRIGGER PLATE SCREW
37	RIGHT COCKING ROD	68	STOCK
		69	STOCK WASHER
		70	THROUGH BOLT
		71	BUTT HATCH
		72	BUTT HATCH SCREWS
		73	TRIGGER GUARD
		74	TRIGGER GUARD SCREWS (2 pcs.)

NOMENCLATURE

- | | | | | | |
|---|-----------------|---|----------------------------------|---|-----------------------|
| A | Muzzle | G | Trigger/s | N | Length of pull |
| B | Front sight | H | Top lever | O | Stock |
| C | Barrels | I | Safety(with selector on request) | P | Drop at heel |
| D | Fore-end | L | Drop at comb | Q | Recoil pad/Butt plate |
| E | Action/Receiver | M | Line of sight | R | Toe |
| F | Trigger guard | | | | |

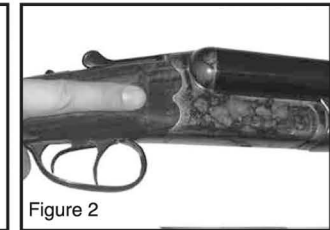
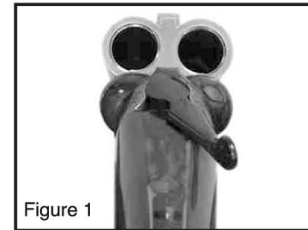


{ 4 }

INSPECTING AND INITIAL ASSEMBLY

INSPECT

- When you inspect your shotgun, you should first check for yourself to ensure that it is unloaded. To do this, open the action and look into the barrel from the breech end and make sure there are no shells in the chamber (Figure 1).
- Verify that the barrel is clear and free of obstructions. Always keep your fingers away from the trigger when closing the action (Figure 2).

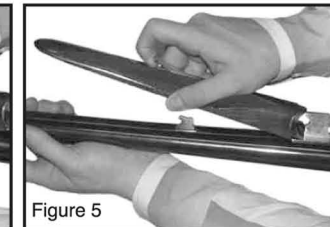
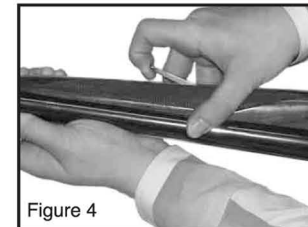


INITIAL ASSEMBLY

Your Shotgun is shipped from the factory with the barrel and fore-end not assembled to the receiver (Figure 3).



- Remove the fore-end from the barrel (Figure 4 & 5).



{ 5 }

INSPECTING AND INITIAL ASSEMBLY

- Holding the barrel assembly in one hand and the frame assembly in the other hand, engage the recess in the barrel lug onto the hinge pin in the frame (Figure 6 & 7).
- Move and keep the release lever to the right.
- Rotate the barrel upwards at the muzzles to close the action (Figure 8).
- Place the rear of the fore-end iron against the receiver and carefully rotate the fore-end into place (Figure 9).
- Push the fore-end lever closed - flush with the fore-end surface to lock it into place (Figure 10).
- Make sure the safety is in the "SAFE" position (Figure 11).
- Move the release lever to the right and open the action (Figure 12).
- Look into the barrel from the breech end and make sure there are no shells in the chamber and no barrel obstructions.

Always keep your fingers away from the trigger when closing the action.

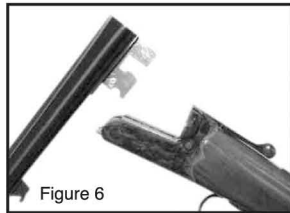


Figure 6

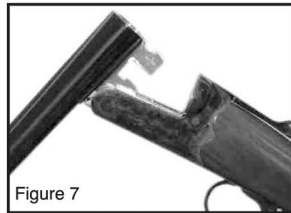


Figure 7



Figure 8

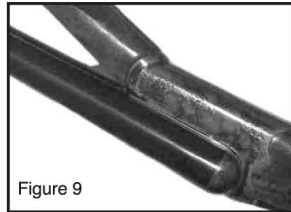


Figure 9

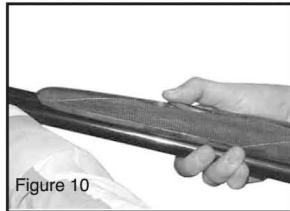


Figure 10

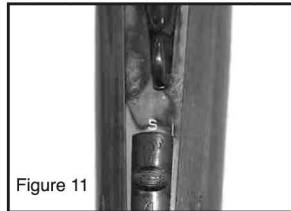


Figure 11

{ 6 }

LOADING AND USAGE

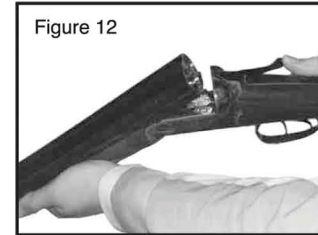


Figure 12



Figure 13

- Do not load the shotgun until you have read and fully understand this manual, and you are ready to use it.
- Point the muzzle downward and in a safe position.
- Move the release lever to the right and open the action (Figure 12).
- Look into the barrel from the breech end and make sure there are no barrel obstructions.
- Engage the safety if it is not already engaged.
- Place a shell which is only factory-loaded, new ammunition into each chamber (Figure 13). Be certain that each round you use is in the proper gauge. The gauge of the firearm is clearly marked on the barrels of shotguns.
- Close the action (Figure 2).
- Always keep your fingers away from the trigger whenever you do not intend to fire.
- Move the safety fully forward to the "FIRE" position.
- The shotgun is now ready to fire.

This shotgun has a sequential trigger, the right hand barrel always fires first. A repeat pull fires the second shell from the left barrel.

If the shotgun features a Double Trigger, the front trigger fires the right barrel and the rear trigger fires the left barrel.

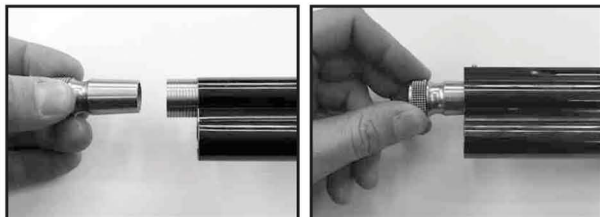
Always keep your fingers away from the trigger when closing the action (Figure 2).

{ 7 }

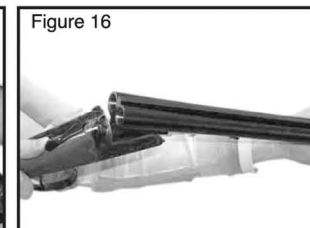
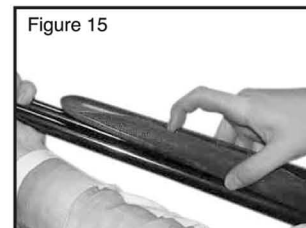
(AUTOMATIC EJECTORS)

Your gun is equipped with automatic ejectors. When you open the breech of the shotgun, it will automatically eject a fired case and partially extract any unfired shell for easy removal by hand.

MULTI CHOKE TUBES		
★	FULL	This Webley & Scott Over & Under shotgun is equipped with interchangeable multi-choke tubes. Each choke is marked on the outside diameter. STEEL SHOT WARNING! Steel shot (up to and including size 2 shot) should not be fired through your shotgun with a choke tighter than modified. If larger than size 2 shot is used, the tightest choke used should be an improved cylinder.
★★	IMP MOD	
★★★	MOD	
★ ★★★	IMP CYL	
★★★ ★★★★	CYL	

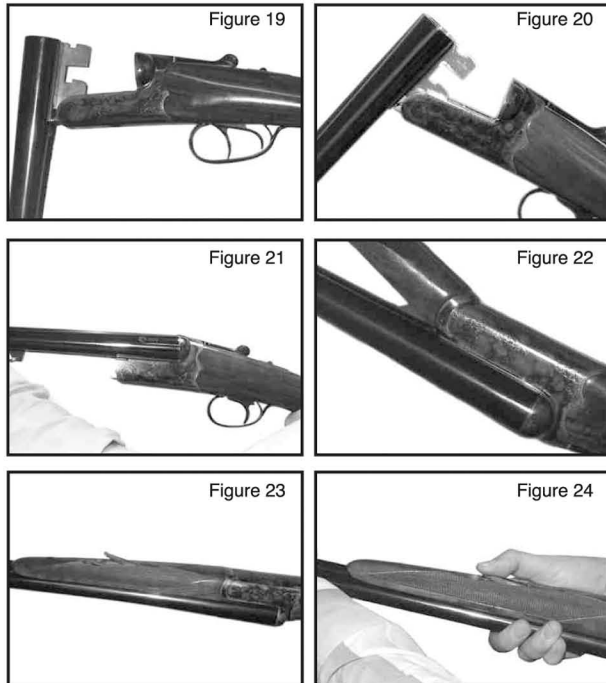


- Verify that the chambers are empty and close the action.
- Pull down on the fore-end lever and remove the fore-end (Figure 15).
- Move the release lever to the right and open the action (Figure 16).
- Pivot the barrel downward at the muzzles and remove the barrel assembly from the receiver (Figure 17 & 18).



DISASSEMBLY / RE-ASSEMBLY

- Before re-assembly verify that the barrel is free of bore obstructions.
- Holding the barrel assembly in one hand and the frame assembly in the other hand, engage the barrel pivot onto the hinge pin within the frame (Figures 19 & 20).
- Rotate the barrel upwards at the muzzles to close the action (Figure 21).
- Place the rear of the fore-end iron against the receiver (Figure 22). Align the fore-end latch hook into the receiver (Figure 23) and carefully snap the fore-end into place.
- Push the fore-end lever closed - until it is flush with the foreend surface (Figure 24).



{ 10 }

CLEANING AND MAINTENANCE

ENSURE THAT YOUR FIREARM IS UNLOADED BEFORE BEGINNING TO CLEAN IT.

At the end of a day of shooting/hunting, clean and lubricate the shotgun.

Cleaning procedure:

- Disassemble the shotgun (See paragraph "Disassembly").
- Clean the bores with care by passing a cleaning rod with a cotton patch coated with a high-quality gun oil to remove combustion residues. Also include the chambers in your cleaning operation.
- Run a clean dry patch through the bores to remove oil residues.
- Lightly oil the inside of the barrels with a clean cotton patch coated in a high-quality gun oil.
- Clean with care the external surfaces of the shotgun to remove any trace of dirt, sweat and fingerprints.

Always follow the instructions provided with your gun cleaner and gun lubricant.

Whenever your firearm has been exposed to sand, dust, extreme humidity, water or other adverse conditions, it must be cleaned and lubricated.

If your firearm will be used in a cold climate, be sure to use an oil of an appropriate weight so that it will not congeal in cold temperatures.

NEVER MANIPULATE, ADJUST OR CHANGE ANY OF THE INTERNAL COMPONENTS, OF YOUR FIREARM.

ANY MAINTENANCE, ADJUSTMENT OR SERVICE NOT SPECIFIED IN THIS MANUAL MAY AFFECT THE SAFETY AND RELIABILITY OF YOUR FIREARM AND MUST BE PERFORMED BY A QUALIFIED GUN-SMITH USING GENUINE WEBLEY & SCOTT. IF YOU DO OTHERWISE, IMPROPER FUNCTIONING OF YOUR FIREARM MAY OCCUR AND SERIOUS INJURY OR DEATH MAY RESULT.

When storing, do not encase the shotgun in anything that will attract or hold moisture, for example, leather or heavy cloth. Also, do not store shotguns with a plug inserted in the barrel for this can be a contributing factor to moisture accumulation. If the shotgun is to be stored for an extended period, the bore, chamber and internal surfaces should be oiled with a high-quality lubricating oil or preservative intended for firearms.

The external parts; receiver, bolt and barrel should be coated with an anti-rust oil.

{ 13 }

WS WEBLEY & SCOTT
GUNMAKERS 1790