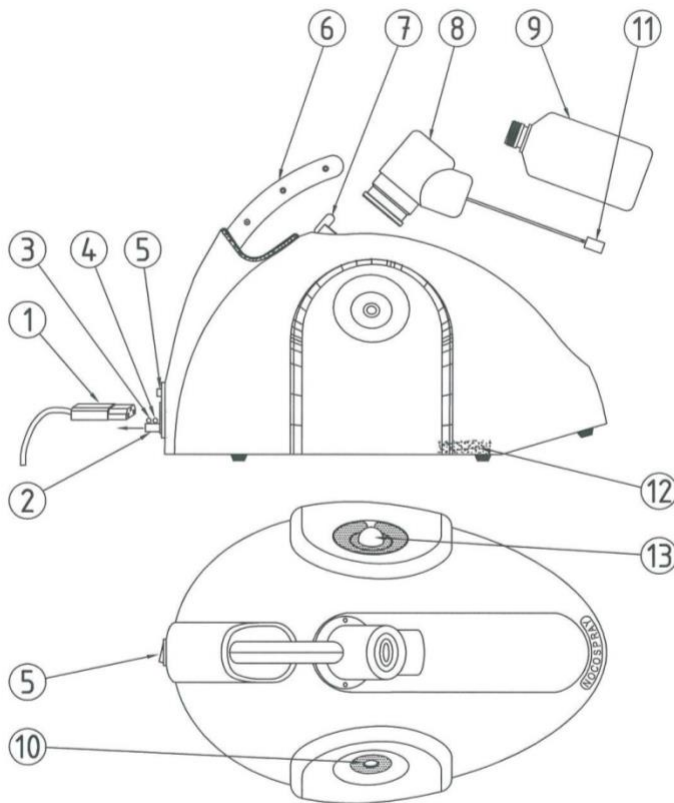


USER'S MANUAL FOR THE NANOGo NEBULIZER (230V)

1 – PRESENTATION OF THE DEVICE



- 1 – Power Cable
- 2 – Drawer with fuse
- 3 – Extra fuse
- 4 – Used fuse
- 5 – Switch for power On/Off
- 6 – Handle
- 7 – Button / diffuser head
- 8 – Diffuser Head
- 9 – Bottle
- 10 – Button to activate the spray, “Start /on “ button
- 11 – Jet
- 12 – Filtering foam pad
- 13 – Dosing Selector

Characteristics

Power	1000 W
Voltage	230 V mono+T
Frequency	50 to 60 Hz
Intensity	4,5 A
Maximum Intensity	10 A
Speed of rotation of the turbine	22000 rpm
Capacity of the reservoir	0,5 or 1 liter
Full weight	6,5 kg
Non laden weight (without liquid or bottle)	5,8 kg
Operating temperature	5° to 35°C

Performances

Exit speed of the air	80 m/s
Droplet size	5 microns
Maximal volume to be treated	500 m3
Average output of the liquid	1000 ml/h

2 – PRECAUTIONS FOR USE

The manufacturer accepts no responsibility for any material or physical incident which occurs due to incorrect or abnormal use of the device as indicated in the non restrictive list below:

- Use with products other than those within the Adexano® range.
- Ensure that electric power matches designated standards
- Introduce an object or liquid other than Bacoban into the device at any time
- Move the device containing BACOBAN® when it contains product . The device should be moved in a horizontal mode.
- Not to check the presence of the jet (11)

- Not to remove the bottle of the BACOBAN® for transportation

The device diffuses a chemical substance, therefore it is necessary to pay attention :

- Not to inhale the product
- Not to smoke near the BACOBAN® while it is working
- Not to place it near a source of ignition
- Humans or animals should not be located in the room during the diffusion process.

3 – USE

- Remove the head of the diffuser (8) by pressing on the button (7)
- Screw the cartridge of Bacoban in to the device (1 liter)
- Replace the head of the diffuser in the device
- Connect the device with the electrical network 230/50 Hz with the power cable (1)
- Select, with the button (13), the volume of the room to be treated (it corresponds to a time of use, check table V)
- Press the switch (5) to the on position to power up the device.
- Orientate the head (8) towards zones to be diffused using the handle (6)
- Press on the "Start /On" button (14 ,) a buzzer rings for 15 seconds, allowing time to leave the area .
The device stops automatically.
- Wait at least for 10 minutes after the device has stopped functioning before re entering the room
- Press on the switch (5) to power off the device

== > *Disconnect the device and to consult your retailer if a problem occurs.*

4 – MAINTENANCE

The device should be kept in a dry and clean place remote from any possible projections.
Change or clean the filtering foam pad if necessary (12)

5 –How to use the SELECTOR (13)

1 litre of product = 1 hour of spray = 340m³ treated

Volume to be treated in cubic meters	Spray time in mn	Consumption
20	3,36	60 ml
30	4,44	90 ml
40	6,72	120 ml
50	9	150 ml
60	10,08	180 ml
80	13,44	240 ml
100	18	300 ml
200	36	600 ml
300	54	900 ml

EMERGENCY STOP

The device can be stopped at any time by activating the "on/ off "button (5)

IN CASE OF MALFUNCTION

- The device does not start and the light on the On/Off switch (5) is not illuminated :
 - Verify the power of your electrical network
 - Verify the fuse (4) behind of the device (you have an extra fuse (3) in the same drawer)
- The device works but does not disperse the product:
 - Verify that the jet (11) is not blocked

**WellBiit Oy | NanoGo | Vattuniemenkatu 15 B,
00210 Helsinki | www.wellbiit.com | Customer service:
020 7340510 | asiakaspalvelu@wellbiit.com**