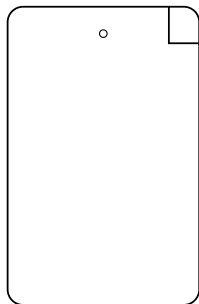




PowerCard Portable battery

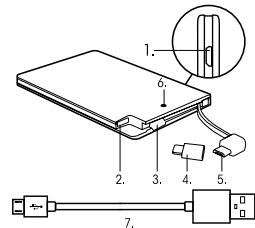


Safety Instructions

1. Keep the Device and its belongings out of reach of small Children.
2. Do not use or store this product under -10°C or over +40°C temperature.
3. Do not use in humid environment or water.
4. Do not remove the in-build battery
5. Do not open the Product
6. Follow the local instructions for recycling Battery devices.
7. The product may not be transported in the hold of the aircraft. Carry-on luggage is usually allowed. Check regulations from airlines.

Package Includes

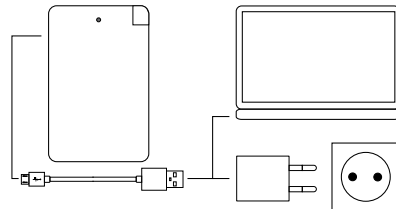
- 1 x Portable battery, 1 x Adapter,
- 1 x Charging cable



Functions

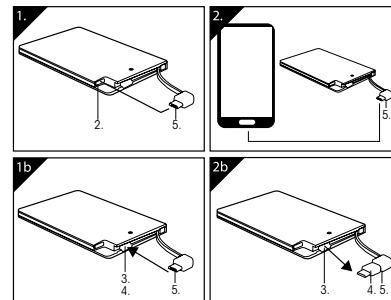
1. Portable battery's input port (Micro USB)
2. Case for Output cable
3. Case for Adapter
4. Adapter (8 pin)
5. Output Cable (Micro USB)
6. Charge Indicator light
7. Charge cable for Portable battery

Charging of Portable battery



1. Connect the Charging cables(7.) MicroUSB end into Portable battery's input port (1.) on the side and connect other end of the Charging cable into Computers USB port. Your Portable battery is charging and showing its battery level.
2. When fully Charged the Indicator light stays on. Disconnect the the Charging cable from both devices.

Charging of Devices



1. Disconnect the Output cable(5.) from its case(2.)
2. Connect the Output cable into your Phones Micro USB port.
- 1b)2b) Use the Output Cable(5.) for pulling the Adapter(4.) from its Case(3.)
3. After your Phone is charged disconnect the Output cable(5.) and adapter(4.) if used from Phone.

Technical Specification

- Capacity: 2500mAh(9.25Wh)
- Battery: Re-chargeable Li-polymer
- Charging time: Approx. 3h
- Connectors: Micro-USB and 8-pin Adapter
- Charge Indicator light: yes
- Input: DC5V~1A
- Output: DC5V~1A

Indicator blinks	Charge Level
1	≤25%,
2	≤50%
3	≤75%
4	≤100%

FOLLOW US



LOVE. MOVE. ENJOY

Bluebiit Customer Service:
asiakaspalvelu@bluebiit.com
020 734 0510
www.bluebiit.com

