

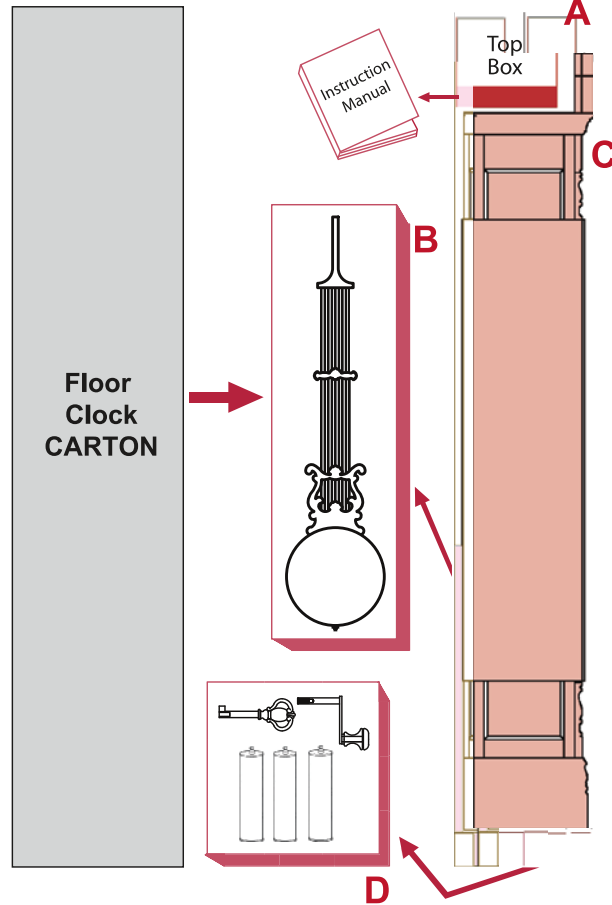
Quick Set-up Guide

A few minutes of set-up time delivers a lifetime of enjoyment.

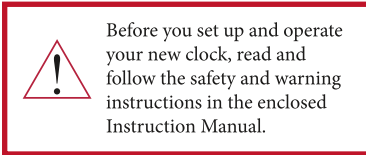
1 Remove Contents

To be removed in this order:

- A** Top box containing Instruction Manual (most models)
- B** A long cardboard box containing the pendulum
- C** Your new Clock
- D** White Styrofoam Box containing Door Key (some models), Crank, and Weights

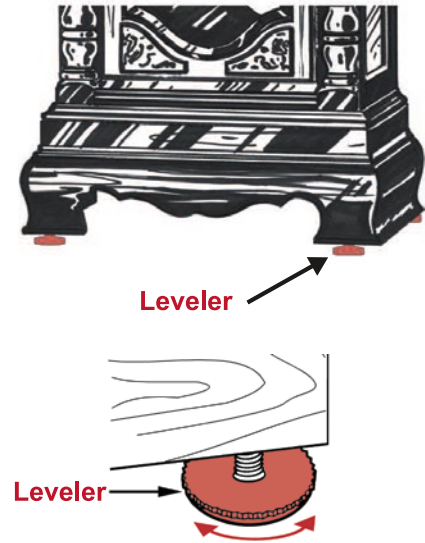


For more detailed instructions, please refer to the enclosed Instruction Manual.



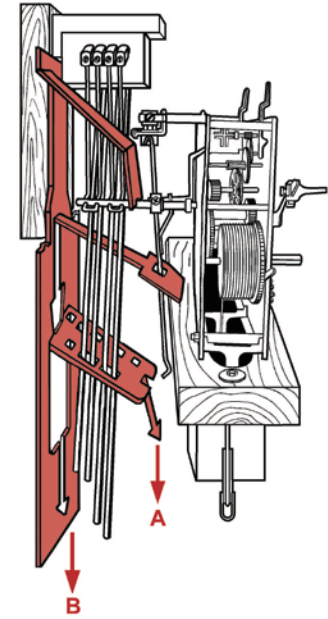
2 Level Your Clock

Located on the bottom of the base near each corner are **levelers** that adjust up and down for maximum stability and proper alignment. Position your clock in the desired area of the room and ensure that your clock is stable and does not tip over.



3 Remove Chime Rod Packaging

Unlock and open the front door of the clock. Locate the cardboard sleeve that holds the chime rods in place. To remove, gently pull straight down at points **A** and **B**.

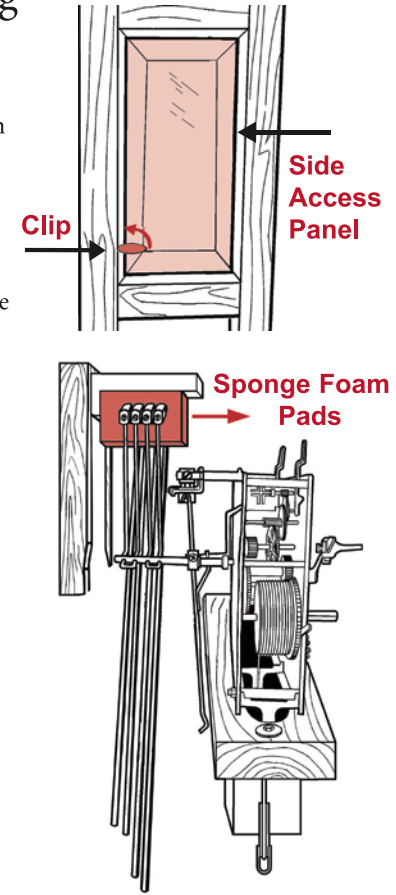


4 Remove Movement Packaging

Side access panels may be held in place with a **clip** located on the inside of the clock. Turn the clip to release the side access panel.

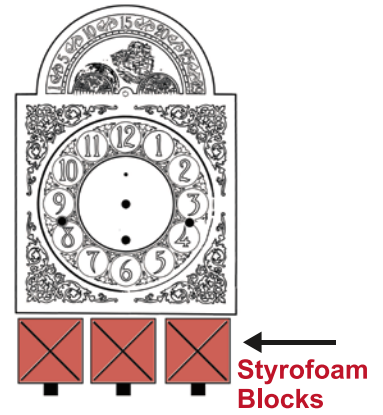
To remove the **side access panel**, lift the panel up and push it in towards the inside of the clock and completely separate the panel from the clock frame. Tip the panel at a slight angle and pull it out through the side access frame opening.

Through the side access opening, gently remove the **sponge foam pads** from around the chime hammers.



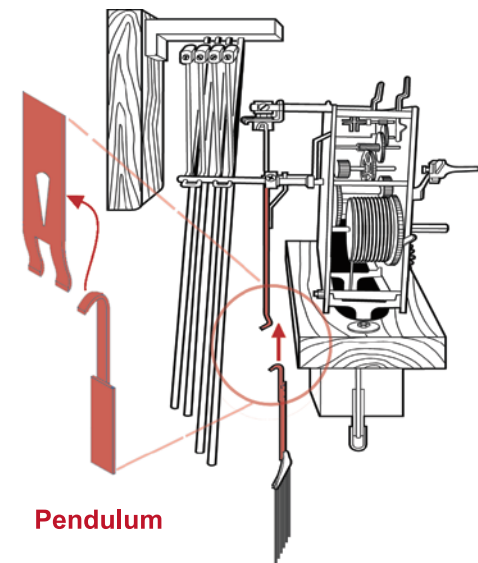
5 Do Not Remove Styrofoam Blocks

The **white styrofoam blocks** will drop and loosen during normal operation. After a period of **8 hours**, the blocks will have loosened and may be easily removed. Removing the white styrofoam blocks while they are held tight by the cables and pulleys can cause the cables to overlap and bind the movement.



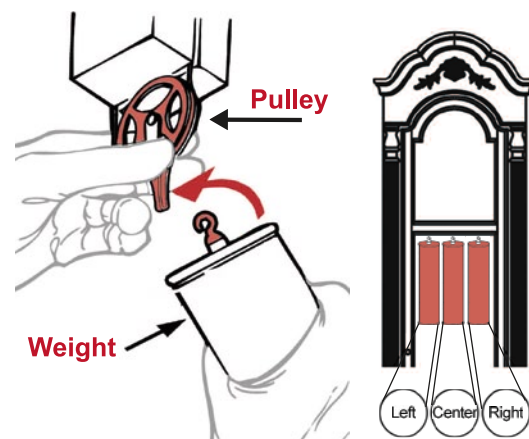
6 Hang the Pendulum

Carefully unpack the pendulum. Hook the **pendulum** in the slot as shown.



7 Hang the Weights

Be sure the hook on top of each **weight** is tight by turning the hook clockwise. Hang each weight on the **pulley** in the proper position as shown. Facing the clock, each weight is marked on the bottom **Left, Center, or Right**.



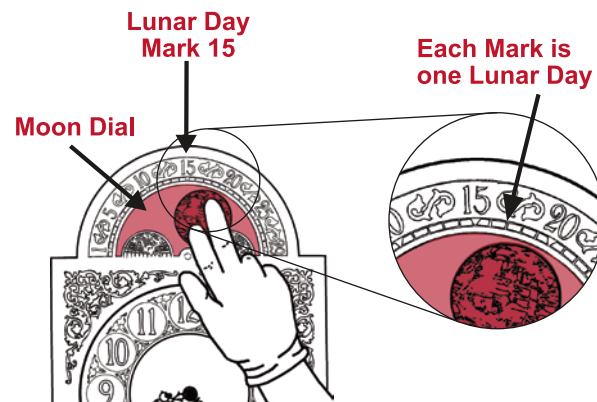
8 Set the Moon Dial

(The astrological moon phase dial is featured on select models)

Rotate the **moon dial** until the moon is directly under the **lunar day mark 15**.

Determine the number of days past the last full moon. Rotate the moon dial clockwise **one lunar day mark** for every day past the full moon.

If the moon dial will not rotate, move the minute hand counterclockwise 3-1/2 hours then set the moon dial.



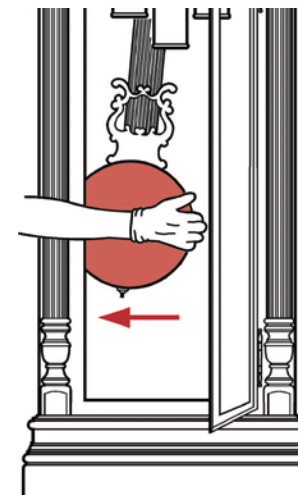
9 Set the Time

Move **ONLY** the **minute hand** counterclockwise until the correct time is set. Do **NOT** move the hour hand to set the time.



10 Start the Clock

Pull the pendulum to the far left and release.



11 Regulate the Time

If the clock runs **too slow** (loses time each day), turn the **adjustment nut** to the right.

If the clock runs **too fast** (gains time each day), turn the **adjustment nut** to the left.

Note: One complete turn equals approximately 1/2 minute per day.

