



ASSEMBLY MANUAL
RCR - 72V

onyxmotorbikes.com
info@onyxmotorbikes.com
(310) 800 2531

1924 E Maple Ave.
El Segundo, CA 90245



WELCOME

YOU ARE NOW THE PROUD OWNER OF AN ONYX MOTORBIKE.

In this document we will cover the basic installation of the front wheel, handlebars, and headlight.

We recommend moving the box to an open area, so there is plenty of space to work within. We always suggest having another person to assist during the assembly.

After assembly we would recommend carefully reading the owners manual to learn more about the operations of your RCR.

Sincerely,
ONYX Motorbikes

GET IN TOUCH

onyxmotorbikes.com
(310) 800-2531
info@onyxmotorbikes.com



@onyxmotorbikes



@onyxmotorbikes



@onyxmotorbikes

ONYX Motorbikes Group
facebook.com/groups/
onyxmotorbikes

WARNING

Be aware of the weight of the bike, make sure its powered off / unplugged,

SERVICE SHOP CONSIDERATIONS

If these procedures outlined in the maintenance and service schedule are beyond your ability, bring your bike back to either ONYX shop for regular maintenance. If there is no shop in your area, we recommend calling ONYX Tech Support:

[\(310\) 800-2531](tel:3108002531)

Be sure that whoever services your bike completes the maintenance record and save all service documents should you transfer this vehicle to another owner. Additionally, service records can help advise our technicians about your vehicle's history.

Riding an electric bike is extremely dangerous. Use of this product can result in serious damage, injury, or death. ONYX products function differently from conventional bicycles and are dangerous. To minimize risk of serious injury, protective equipment should be worn at all times including a helmet. You are responsible for your own safety. Use this product with extreme caution and at your own risk.

TORQUE CHART

Part	Fastener	Tool	Torque value
<i>Handlebar</i>	(4) m6 x 30mm	(1) 6mm allen wrench	17-nm
<i>Headlight</i>	(2) m6 x 16mm	(1) 4mm allen wrench	Hand tight
<i>Headlight Ears</i>	(2) m6 x 20mm	(1) 4mm allen wrench + 10mm wrench	Hand tight
<i>Front Wheel</i>	(1) front axle bolt + (2) washers & nuts	(2) 19mm wrenches	80-nm

STEP 1



RCR MODEL

A. Undo the 2 handlebar clamps at the top of the forks with a 6mm allen wrench, 4 bolts total.



B. Adjust headlight ears to point forward.



06

STEP 2



RCR MODEL

Remove both zip ties and bubble wrap around handle bars. Position the handlebar with the clamps inside of the display mount (Refer to next page) and tighten evenly. 17nm



07

HANDLEBAR CLAMP INSTALL



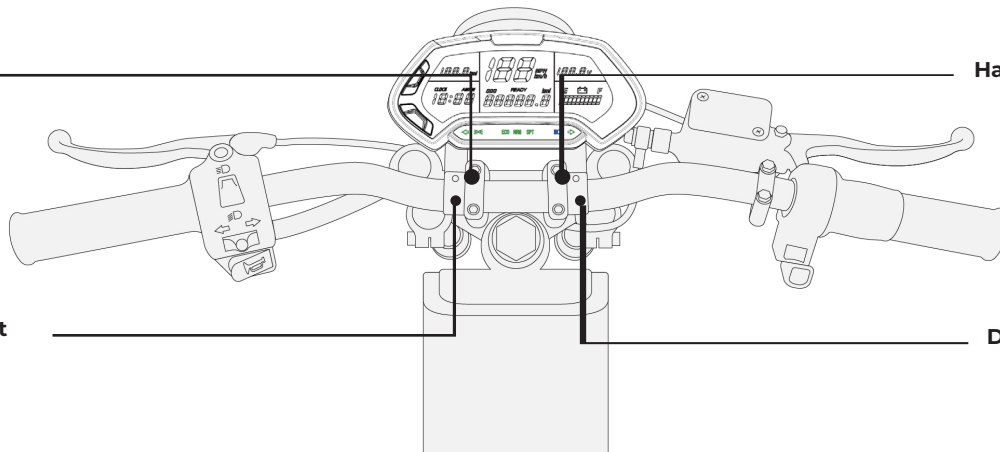
RCR MODEL

Handlebar Clamps

Handlebar Clamps

Display Mount

Display Mount

**PRO TIP****GO FARTHER BY BRAKING**

The key to going farther is using regenerative braking system, or the rear brake. When able to brake safely try using regen braking only to recharge the battery while you are riding. If you are an absolute beast you can try holding the regen brake and pedal at the same time to attempt to charge the bike. Good Luck! ;)

STEP 3



RCR MODEL

A. Move the headlight ears up along the forks until there is a $\frac{1}{4}$ inch gap between the top of the forks and the ear. Use 10mm wrench as measuring tool as shown in the photo



B. Tighten and secure the ears using a 4mm Allen wrench on the outside and a 10mm wrench inside.



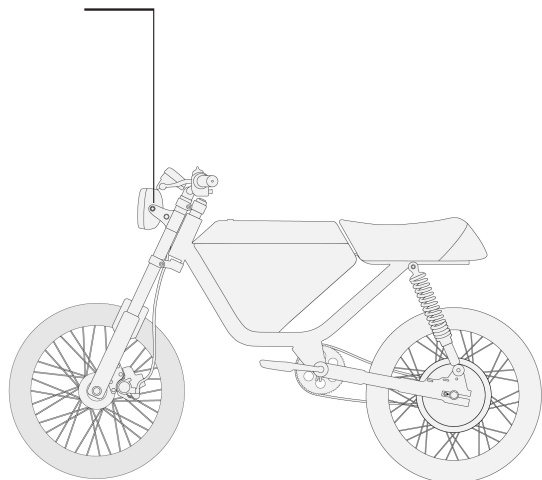
09



RCR MODEL

STEP 4

Install the headlight bulb using the two side headlight bolts and lock washer. Tighten until firm.



**Note:**

If your bike has a front fender, you will need to install the fender after the headlight bucket is attached.

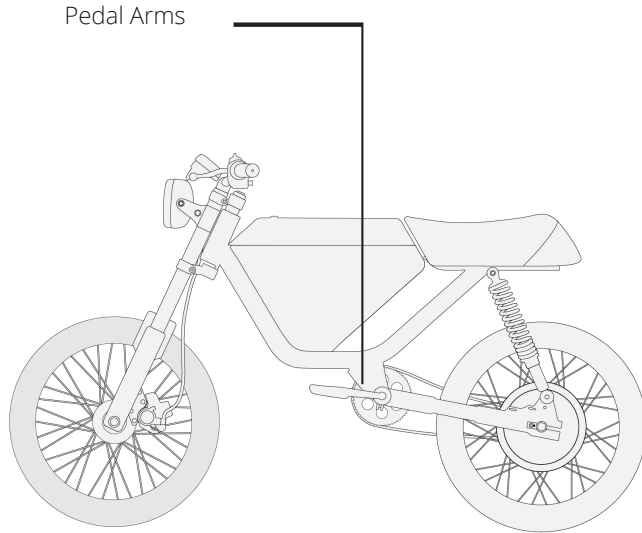
Use a 5mm Allen wrench to install the 4 m6 x 35 bolts, use a 10mm wrench to hold the nut underneath while installing.





STEP 5

Insert the right pedal into the right pedal arm and the left pedal into the left arm. Tighten using a 15mm wrench.

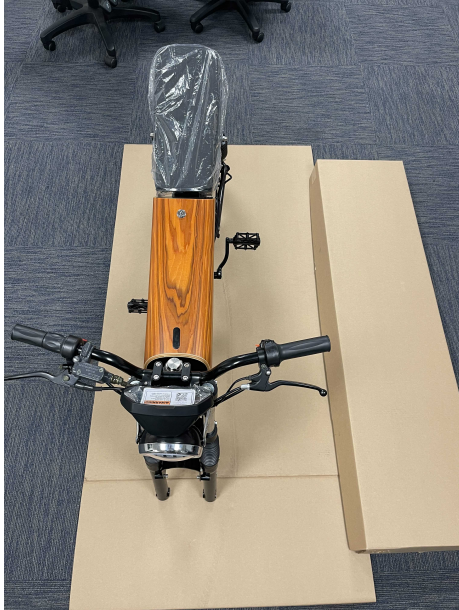


STEP 6

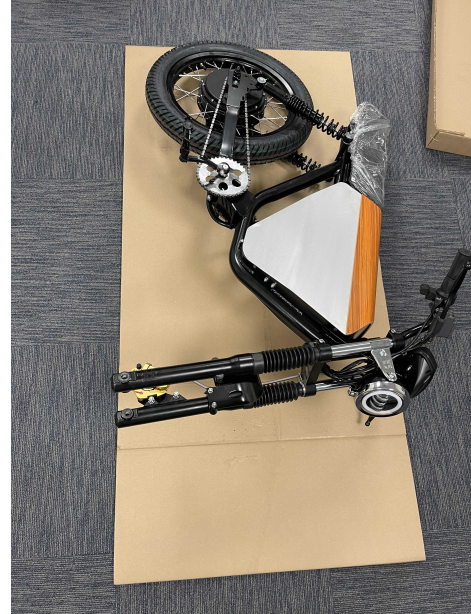


RCR MODEL

Remove axle bolt by placing 19mm wrench on both sides of the wooden block. Keep one wrench stationary while turning the other counter clockwise. The bolt will have two washers attached so keep them near by for reinstallation.



Once the bike is freed up carefully lay the bike on its left side onto a soft surface. Caution* The rear brake lever can be damaged if not set down gently.





STEP 7

Begin installation with the front wheel by aligning the wheel bearing and included spacers to the fork mounting point. Large spacer should be placed be opposite from the caliper side and small spacer will be installed on the caliper side.

Ensure the brake disk is lined up with the front brake caliper. Feed axle bolt through the fork and wheel ensuring that threads are evenly shown on both sides. Apply loctite to both sides of thread and tighten evenly. Torque to 80nm.



14

Firmly press the front axle bolt through the fork and wheel.



RCR MODEL



PHYSICAL DIMENSIONS

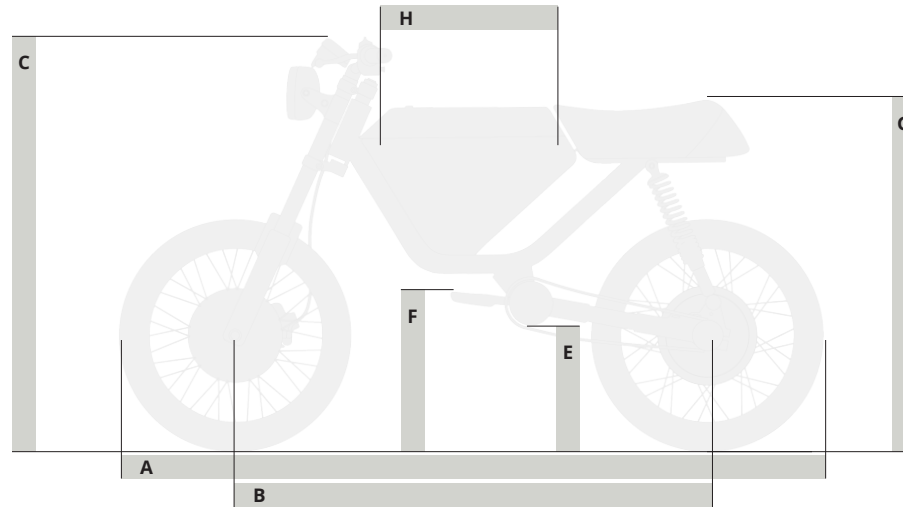


Fig. 3.2

	SPECIFICATION	MEASUREMENT <i>STANDARD RCR SUSPENSION</i>	MEASUREMENT <i>"SHORTY" RCR SUSPENSION</i>
A	Overall Length	68"	68"
B	Wheelbase - Center to Center	44.5"	44.5"
C	Overall Height - from Ground to Top of Display	39.25"	37.25"
Not shown	Handlebar Width - Brake Lever Tip to Tip (Grip End to Grip End)	27" (25")	27" (25")
E	Ground Clearance - Ground to Bottom of Chain Ring	10.5"	8.5"
F	Pedal Shaft Clearance - Ground to Center of Shaft	13.5"	11.5"
G	Seat Height - Ground to Top of Seat	32"	30"
H	Handlebar Reach Distance - from End of Seat to Grips	15"	15"

SAFETY INFORMATION



RCR MODEL

GENERAL SAFETY INFORMATION

This is a high performance electric motorbike and should be treated with extreme caution. Proper safety gear, including a regionally approved helmet, eye protection, riding boots, gloves, and protective clothing should be worn while riding to reduce the risk of potential injury.

Never permit a guest to ride your electric motorbike without proper instruction. Never use alcohol or mind-altering drugs before operating your electric motorbike. The owner assumes all responsibility while operating their motorbike. The seller assumes no liability for misuse or operator negligence.

Prior to each use the rider must check everything in the "Pre-Ride Safety Check" section of the Quick Start Guide.

Modifications and additional loads may affect your bikes performance, handling, range and operation. Use caution.

OPERATING SAFETY INFORMATION

Your safety depends in part on the good mechanical condition of the motorcycle. Be sure to follow the maintenance schedule and adjustment requirements contained in this manual. Be sure you understand the importance of checking all items thoroughly before riding and abiding by the local, state, and federal laws.

IMPORTANT LABELS & WARNINGS

Read all additional warnings and product instructions in this owner's manual, as well as safety labels, before operating your electric motorbike.

(SEE BATTERY SAFETY TIPS, page 44)

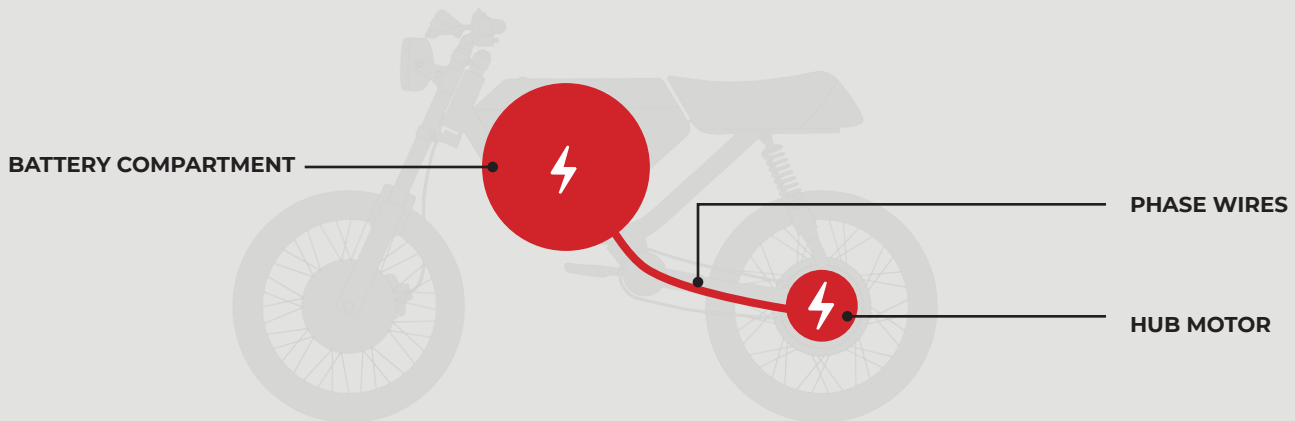
FIRST RESPONDER INFORMATION

This bike contains a 72V battery connected by phase wires to a rear hub motor.

NEVER cut any high voltage cables or cabling.

High voltage cables can hold charge for up to 60 seconds after disabling the vehicle.




HIGH VOLTAGE COMPONENT LOCATIONS





MOPEDS ARE BACK!

onyxmotorbikes.com
info@onyxmotorbikes.com

 [@onyxmotorbikes](https://www.instagram.com/onyxmotorbikes)
 [@onyxmotorbikes](https://twitter.com/onyxmotorbikes)
 [@onyxmotorbikes](https://www.facebook.com/onyxmotorbikes)