



X-TREME E-BIKES
X-TREME ELECTRIC BICYCLES



TrailMaker / TrailClimber / X-Cursion

Elite Max 36V

Lithium Battery Powered Beach Cruiser

Electric Bicycle

Owner's Manual

PLEASE READ PRIOR TO RIDING

IMPORTANT INFORMATION

Battery Pack Should Be Properly Charged And Removed From Bike While E-Bike Is Not In Use For A Long Period Of Time.(Check on Page 13 for correct storage Voltage)

FULLY CHARGE BATTERIES BEFORE FIRST USE - Batteries should be fully charged immediately when they are received and immediately after each use for the recommended charge times (see below)

- Lipo4 Lithium Batteries: 4-6 hours

FACTORS TO MAXIMIZE THE RANGE OF YOUR ELECTRIC BICYCLE

- **RIDER INPUT** - the more the rider pedals the further the distance traveled. Continuous riding, as opposed to frequent stopping and starting, will yield the greatest range possible
- **ELEVATION GAIN** - the flatter the road the further the distance traveled
- **WEATHER** - cold weather can adversely affect the battery capacity
- **TERRAIN** - the smoother the terrain (roadways vs. fireroads, etc.) the further the distance traveled
- **RIDER WEIGHT** - the lighter the rider, resulting in less drain on the batteries, the further distance traveled
- **RIDER BICYCLE MAINTENANCE** - a properly maintained bicycle will yield the greatest range possible
- **RIDER TIRE PRESSURE** - properly inflated tires have less rolling resistance and will be easier to pedal
- **BATTERIES** - properly charged and maintained batteries will yield the greatest range possible. Batteries stored in cold areas (below 50 degrees Fahrenheit / 10 degrees Celsius) will show reduced range. Batteries that have not been kept in optimum condition will show reduced range and run time.

TABLE OF CONTENTS

Important Information.....	2
Table Of Contents.....	3
Terminology & Battery Systems.....	4
Required Tools.....	5
Before You Ride.....	6-7
Safety Checklist.....	8-9
Bicycle Care.....	10-13
Basic Maintenance.....	10
Throttle.....	11
Battery Care and Information.....	11-12
Charger.....	12-13
Bicycle Assembly.....	13-20
Getting Started.....	13
Stem and Handlebars.....	14-16
Forks.....	17
Seat and Seat Post.....	18
Front Wheel.....	19
Disc Brakes.....	20
Derailleur Systems.....	21
Drive Train.....	22
Troubleshooting.....	23-24
Specifications.....	25
How To Guide.....	26-28
How To Check Wire Terminals If Battery Not Charging Properly.....	26
How To Adjust Disc Brake.....	26-27
How To Replace Brake Lever.....	27
How To Adjust Derailleur.....	27
How To Remove Rear Wheel.....	27-28
How To Replace Pedal Shaft.....	28
General Information/Tech Support.....	29



Warning / important - take notice of this symbol throughout this manual and pay particular attention to the instructions blocked off and preceded by this symbol.

TERMINOLOGY

POWER Systems

PAS – *Pedal Assist* - A sensor ring and pickup mounted near the bottom bracket allow the bicycle to sense forward pedaling and apply power.

TAG – *Twist and Go* - A rider-controlled system, the motor activates only when the handlebar throttle is turned.

PAS/TAG – *Pedal Assist or Twist and Go* - A handlebar-mounted button allows selection of PAS or TAG modes.

BATTERY Systems

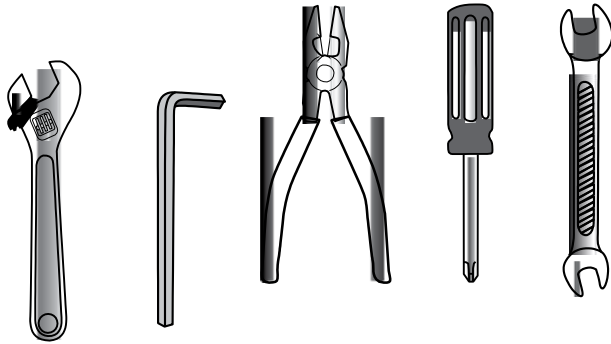
RTMB – *Rack Top Mounted Battery with Lithium polymer cells* - A single Li-Po battery pack lies horizontally inside the rack.

STB – *Seat Tube Battery with Sealed Lead Acid (SLA) or Lithium Ion (Li- Po) cells* - A single battery pack is mounted behind the seat tube.

Your new bicycle was partially assembled in the factory and then partially disassembled for shipping. You may have purchased the bicycle already fully assembled and ready to ride OR in the shipping carton in the partially disassembled form. The following instructions will enable you to prepare your bicycle for years of enjoyable cycling. For more details on inspection, lubrication, maintenance and adjustment of any area please refer to the relevant sections in this manual. If you have questions about your ability to properly assemble this unit, please consult a qualified bicycle service specialist before riding.

TYPICAL TOOLS REQUIRED:

- Phillips head screw driver
- 2mm, 3mm, 4mm, 5mm 6mm Allen keys
- Adjustable wrench or a 8mm, 9mm, 10mm, 13mm, 14mm, 15mm & 17mm open/box end wrenches
- A spokes wrench



To avoid injury, this product must be properly assembled before use. If your bicycle was obtained assembled, we strongly recommend that you review the complete assembly instruction.

BEFORE YOU RIDE

ABOUT THIS MANUAL

It is important for you to understand your new bicycle. By reading this manual before you go out on your first ride, you'll know how to get better performance, comfort, and enjoyment from your new bicycle.

It is also important that your first ride on your new bicycle is taken in a controlled environment, away from cars, obstacles, and other distractions.

GENERAL WARNING

Bicycling can be a hazardous activity even under the best of circumstances. Proper maintenance of your bicycle is your responsibility as it helps reduce the risk of injury. This manual contains many "Warnings" and "Cautions" concerning the consequences of failure to maintain or inspect your bicycle. Many of the warnings and cautions say "you may lose control and fall." Because any fall can result in serious injury or even death, we do not repeat the warning of possible injury or death where ever the risk of falling is mentioned.

A SPECIAL NOTE FOR PARENTS

It is a tragic fact that most bicycle accidents involve children. As a parent or guardian, you bear the responsibility for the activities and safety of your minor child. Among these responsibilities are to make sure that the bicycle which your child is riding is properly fitted to the child; that it is in good repair and safe operating condition; that you and your child have learned, understand and obey not only the applicable local motor vehicle, bicycle, and traffic laws, but also the common sense rules of safe and responsible bicycling. As a parent, you should read this manual before letting your child ride the bicycle. Please make sure that your child always wears an ANSI, ASTM, SNELL approved bicycle helmet when riding

CORRECT FRAME SIZE

When selecting a new bicycle, the correct choice of frame size is a very important safety consideration. Most full sized bicycles come in a range of frame sizes. These sizes usually refer to the distance between the center of the bottom bracket and the top of the frame seat tube.

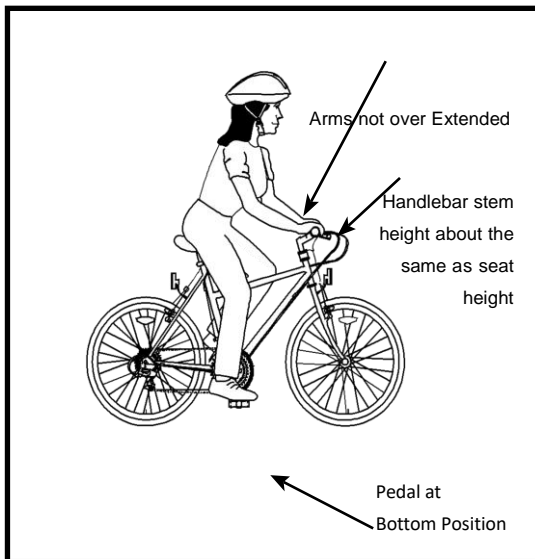
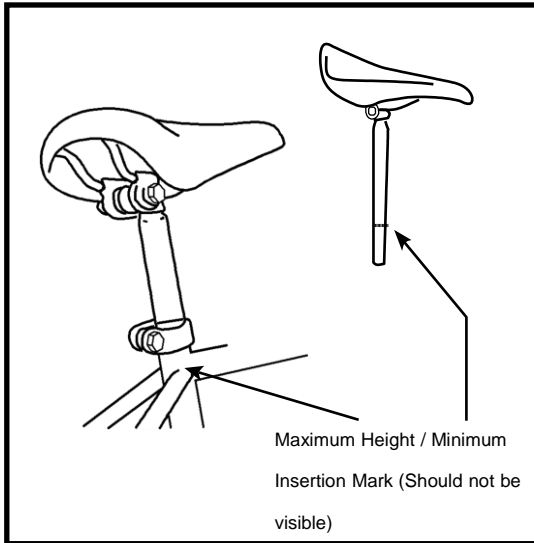


For safe and comfortable riding there should be clearance of no less than 1 - 2 inches between the rider and the top tube of the bicycle frame, while the rider straddles the bicycle with both feet flat on the ground.

The ideal clearance will vary between types of bicycles and rider preference. This makes straddling the frame when off the seat easier and safer in situations such as sudden traffic stops. Women can use a men's style bicycle to determine the correct size women's model.

The following chart and diagram will help you make the correct choice. Rider leg length refers to approximate pant inseam.

RIDING POSITION



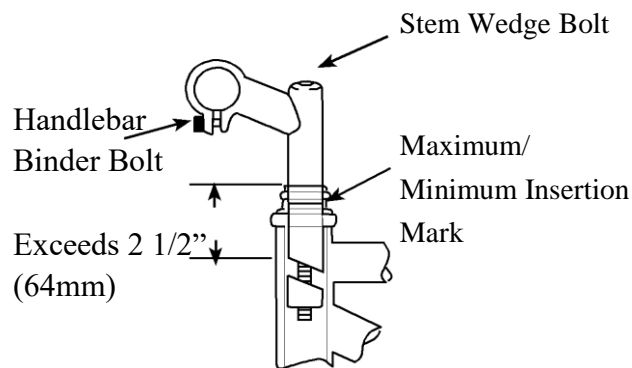
Seat Height

In order to obtain the most comfortable riding position and offer the best possible pedaling efficiency, the seat height should be set correctly in relation to the rider's leg length. The correct seat height should not allow leg strain from over-extension, and the hips should not rock from side to side when pedaling. While sitting on the bicycle with one pedal at its lowest point, place the ball of your foot on that pedal. The correct seat height will allow the knee to be slightly bent in this position. If the rider then places the heel of that foot on the pedal, the leg should be almost straight.

Under no circumstances should the seat post project from the frame beyond its "Minimum insertion" or "Maximum extension" mark. If your seat post projects from the frame beyond these markings, the seat post or frame may break. Prior to your first ride, be sure to tighten the seat clamp properly. A loose seat clamp or seat post binder can cause damage to the bicycle or can cause you to lose control and become injured. Periodically check to make sure that the seat clamp is properly tightened

Reach

To obtain maximum comfort, the rider should not overextend his or her reach when riding. To adjust this distance, the position of the seat can be altered in relation to the seat post. (Refer to page 24)



Handlebar height

Maximum comfort is usually obtained when the handlebar height is equal to or slightly higher than the height of the seat. You may wish to try different heights to find the most comfortable position.

Handlebar Adjustment & Height

The stem's "Minimum insertion" mark must not be visible above the top of the headset. If the stem is extended beyond this mark, the stem may break or damage the fork's steering tube, which could cause you to lose control and become injured.

Failure to properly tighten the stem binder bolt, the handlebar binder bolt, or the bar end extension clamping bolts may compromise steering action, which could cause you to lose control and become injured. Place the front wheel of the bicycle between your legs and attempt to twist the handlebar/stem assembly using a reasonable amount of force. There should be no play or ability to move the handlebars in relation to the wheel. If you can twist the handlebars while the wheel remains in place, do not ride until proper alignment is obtained, then tighten all bolts accordingly before use.

SAFETY CHECKLIST

Before first initial ride and every ride after, it is important to carry out the following safety checks:

1. Brakes

- Ensure front and rear brakes work properly.
- Ensure brake calipers are not over worn and are correctly adjusted.
- Ensure brake control cables are lubricated, correctly adjusted and display no obvious wear.
- Ensure brake control levers are lubricated and tightly secured to the handlebar.
- Ensure brake cables are positioned in slot and correctly tightened.

2. Wheels and tires

- Ensure tires are inflated to within the recommended limit as displayed on the tire sidewall.
- Ensure tires have tread and have no bulges or excessive wear.
- Ensure rims run true and have no obvious wobbles or kinks.
- Ensure all wheel spokes are tight and not broken. You can use the included spoke wrench to ensure all spokes are tight.
- Check that axle nuts are tight. If your bicycle is fitted with quick release axles, make sure locking levers are correctly tensioned and in the closed position.

3. Steering

- Ensure handlebar and stem are correctly adjusted and tightened, and allow proper steering.
- Ensure that the handlebars are set correctly in relation to the forks and the direction of travel.
- Check that the headset locking mechanism is properly adjusted and tightened.
- If the bicycle is fitted with handlebar end extensions, ensure they are properly positioned and tightened.

4. Chain

- Ensure chain is oiled, clean and runs smoothly.
- Extra care is required in wet or dusty conditions

5. Bearings

- Ensure all non-sealed bearings are lubricated, run freely and display no excess movement, grinding or rattling.
- Check headset, wheel bearings, pedal bearings and bottom bracket bearings.

6. Cranks and Pedals

- Ensure pedals are securely tightened to the cranks.
- Ensure cranks are securely tightened to the axle and are not bent.
- Ensure pedals are installed correctly on each side. Threads are different on right & left pedals. Incorrect installation of pedals may cause damage to cranks and threads.

7. Derailleurs

- Check that front and rear mechanisms are adjusted and function properly.

- Ensure shift and brake levers are attached to the handlebar, shift and brake.
- Ensure derailleurs, shift levers and shift and brake cables are properly lubricated.

8. Frame and Fork

- Check that the frame and fork are not bent or broken.
- If either is bent or broken, they should be replaced.

9. Accessories

- Ensure that all reflectors are properly fitted and not obscured.
- Ensure all other fittings on the bike are properly and securely fastened, and functioning.
- Ensure the rider is wearing a helmet.

10. Motor and Throttle

- Ensure motor is functioning properly.
- Ensure throttle is functioning properly.

11. Battery pack

- Ensure the batteries are in good operation condition and kept fully charged.

BICYCLE CARE

BASIC MAINTENANCE

The following procedures will help you maintain your hybrid electric bicycle for years of enjoyable riding.

1. After initial set up be sure to check wheel spokes to make sure they are properly fitted. Be sure to check again after a few rides to ensure proper break in. Follow up with monthly checks.
2. Properly maintain the batteries by keeping them fully (**properly**) charged when not in use, **following instructions on page 13**.
3. Do not ride your hybrid electrical bicycle in the water (damp roads, puddles, rain, streams, etc.) and never immerse it in water as the electrical system may be damaged.
4. Periodically check the wiring and connectors to ensure there is no damage and the connectors have good continuity.
5. For painted frames, dust the surface and remove any loose dirt with a dry cloth. To clean, wipe with a damp cloth soaked in a mild detergent mixture. Dry with a cloth and polish with car or furniture wax. Use soap and water to clean plastic parts and rubber tires. Chrome plated bikes should be wiped over with a rust preventative fluid.
6. Store your bicycle under shelter. Avoid leaving it in the rain or exposed to corrosive materials.
7. Riding on the beach or in coastal areas exposes your bicycle to salt which is very corrosive. Wash your bicycle frequently and wipe or spray all unpainted parts with an anti-rust treatment. Make sure wheel rims are dry so braking performance is not affected. After rain, dry your bicycle and apply anti-rust treatment.
8. If paint has become scratched or chipped to the metal, use touch up paint to prevent rust. Clear nail polish can also be used as a preventative measure.

9. Regularly clean and lubricate all moving parts, tighten components and make adjustments as required.
10. The use of alloy components and BED, SATIN and TITANIUM surface treatments minimizes the number of places where rust can surface



THROTTLE

TAG (TWIST AND GO)

Before you begin riding, turn the main power switch on, then start riding as you would ride any regular, non motor assisted bicycle. After you have begun to ride, slowly twist the throttle (on equipped models) towards you. The more you twist the throttle, the more motor power will be applied to the wheels. You may feel the pedals get a “lighter” feel than riding without the motor assisting you. Once you have twisted the throttle all the way, the motor will accelerate you to its full speed of about 18-20mph (28-32 km/h).

BATTERY CARE AND INFORMATION

Proper maintenance of batteries will maximize their lifespan and capacity. X-Treme Scooters warrants your new batteries from the date of purchase for 1 full year when properly cared for. Visit www.x-tremescooters.com/support for more information.

Battery Care

Even with proper care, rechargeable batteries do not last forever. Every time the battery is discharged and subsequently recharged, its relative capacity decreases by a small percentage. With proper care, the life span of your batteries is between 500-700 cycles. You can maximize the life of your battery by following the instructions in this guide.

- Batteries should be fully charged immediately when they are received for the full recommended charge times.

LI-Po4 RECOMMENDED CHARGE TIME: 4-6 hours. For a complete, 100% charge, leave the battery on the charger for one full hour after the charger indicator light turns green.

- Never charge batteries for longer than 24 hours.
- Li-Po4 batteries do not have a “memory.” Partial discharge/charge cycles will not harm the batteries’ capacity or performance.
- The rated output capacity of a battery is measured at 77°F (25°C). Any variation in this temperature will alter the performance of the battery, and shorten its expected life. High temperatures especially reduce overall battery life & run time.
- Always be sure to turn the bike/scooter power switch to “OFF” after each use. If you leave the power switch in the “ON” position, or your product has not been

charged for a long period of time, the batteries may reach a stage at which they will no longer hold a charge.

- Be friendly to the environment! Be sure to recycle your old batteries at a local battery-recycling center. Do not throw them in the garbage!

STORAGE

When storing your batteries for a long period of time (longer than two months): BATTERY PACK SHOULD BE REMOVED FROM BIKE WHEN YOUR BIKE IS NOT IN USE FOR A LONG PERIOD OF TIME.

- Charge your batteries every 90 days to avoid capacity loss. Batteries slowly self-discharge when left unused for a long period of time; if the battery cells are allowed to reach a critically low voltage, their lifespan and capacity will be permanently reduced.
- Always disconnect your charger from the wall outlet and battery before storing the battery.
- Avoid storing your batteries in extreme temperatures, whether hot or cold.
- Batteries are best kept in a cool, dry place. Do not allow batteries to accumulate condensation, as this could cause shorting or corrosion.
- The recommended storage temperature is between 32-77 °F (0-25°C).
- The recommended storage voltage for 36V battery pack is between 35-37 Volts. When battery pack reaches a low voltage at 32V, recharge the pack to the recommended voltage.
- Avoid exposing the battery to extreme heat (104°F or higher) for long period of time.

FAQ

Q: Do I need to “break-in” my batteries?

A: No. Battery cells are processed with “break-in” cycle prior to delivery. We do not suggest that customer perform a “break-in” cycle again when you receive Ebikes. It is recommended that you perform a “break-in” cycle consisting of ~ three discharge/charge cycles to allow your batteries to reach optimum performance. This involves three complete discharges and three complete recharges. After this initial “break-in” cycle the batteries will have maximum possible performance and less line voltage fluctuations under load.

Q: Is it normal that the batteries get warm when recharging?

A: Yes, it is normal that the batteries will become warm to the touch during the recharging process. This is because the increase of internal resistance and less energy conversion efficiency from electric energy to chemical energy.

Q: How long will my batteries last before needing replacement?

A: Average battery life depends on use and conditions. Even with proper care, rechargeable batteries do not last forever. Li-Po4 batteries will last between 500-700 cycles. A partial charge/discharge counts fractionally against those numbers; running the battery down halfway then recharging it completely uses up one half of a charge cycle.

Q: Why do I have to recharge my charge after each time my bicycle is rode?

A: Battery lifespan depends on regular battery care after each ride. Principle is less discharge and recharge after each ride, therefore the longer the battery lifespan is yielded.

“End of useful life” refers to the point at which a battery can no longer supply 80% of its original rated capacity in ampere- hours. After this point, the aging process will accelerate and the battery will need to be replaced

CHARGER

The electric bicycle comes with its own "Smart Charger" that connects with an easy-access charger port for recharging the batteries. This charger unit has lights that show the battery charge status. Refer to the instructions that appear on the charger unit and its instructions.

Batteries work best when they have a full charge, so always be sure to recharge them fully after each ride. If you leave them in a run-down condition, without recharging them, it will shorten their life expectancy.

- Li-Po4 Lithium batteries - charge for 4-6 hours for full charge

The charger may get warm to the touch, so make sure you charge them in an open area and do not lay anything on the charger unit while charging. Although you cannot over-charge the batteries, we recommend that you do not leave the charger plugged in for more than 24 hours.

If your charger shows a solid green light after charging for a short period of time, your battery may have been only partially discharged (short ride), or this may be the sign of a partially worn out battery with reduced storage capacity. Continue charging for the full time, to cover all the bases. If the battery still has not charged, you may need to replace it.

Even with proper care, a rechargeable battery does not last forever. Average battery life depends on use and conditions.

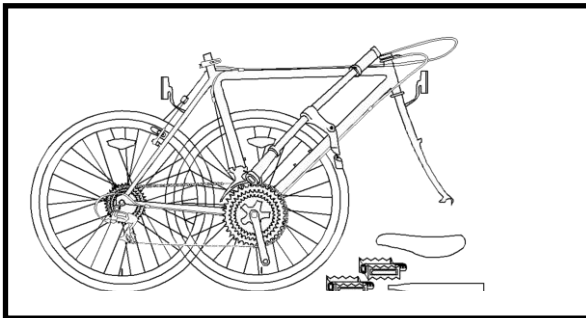


The charger and charger port should be regularly inspected for damage (cord, plug, enclosure, etc.). if damage is found stop using the affected part until the it can be repaired or replaced.

BICYCLE ASSEMBLY

Assembly Guides

Follow the assembly guide contained within this manual or visit www.x-tremescooters.com/support/ for assistance.



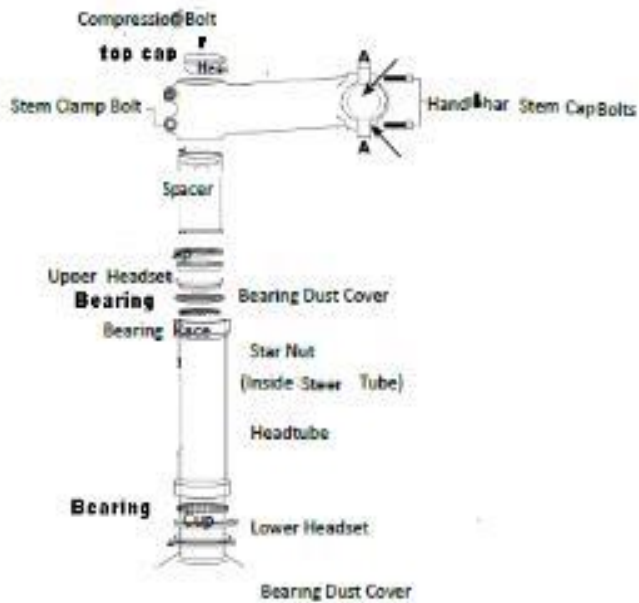
Getting Started

Open the carton from the top and remove the bicycle. Remove the straps and protective wrapping from the bicycle. Inspect the bicycle and all accessories and parts for possible shortages. It is recommended that the threads and all moving parts in the parts package be lubricated prior to installation. **Do not discard packing materials until assembly is complete to insure that no required parts are accidentally discarded.**

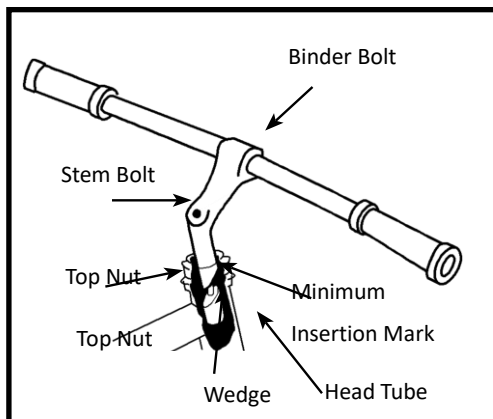
****Note:** Your bicycle may be equipped with different style components than the ones illustrated within this manual.

We recommend that you contact X-Treme if you have doubts or concerns as to your experience or ability to properly assembly, repair, or maintain your bicycle.

STEM AND HANDLEBARS (STANDARD QUILL-TYPE)



1. Remove the protective shipping cap from the stem wedge.
2. Remove the Stem Plug from the stem. Loosen the Stem Bolt with a 6mm allen wrench or 13mm box wrench.
3. Insert the stem into the head tube of the bicycle. Ensure that the Minimum Insertion Line is below the top nut of the headset.
4. Align the stem and handlebar so it is in line with the front wheel.
5. Tighten the Stem Bolt with a 6mm Allen wrench. Reinsert the Stem Plug into the stem.
6. Check the headset for smooth rotation and that the top nut is secured tightly.
7. Loosen the 6mm Binder Bolt and rotate the handlebar so the levers are at a 45 degree angle below the handlebar.
8. Retighten the Binder Bolt to ensure the handlebar does not rotate in the stem.

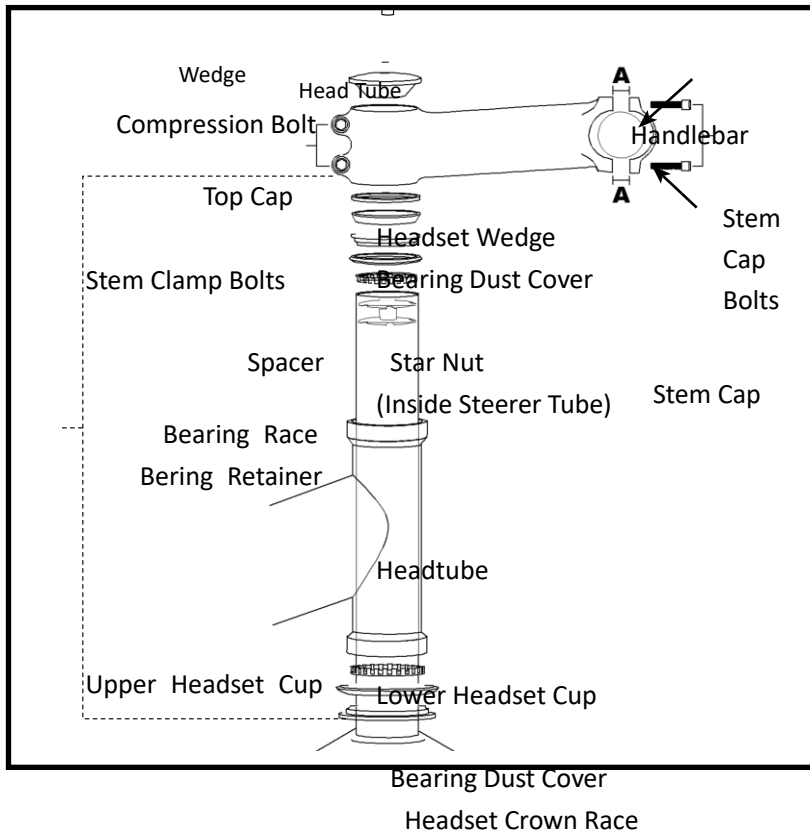


WARNING: MINIMUM INSERTION LINE MUST BE HIDDEN WITHIN THE HEADTUBE OF THE BICYCLE.



if the stem is not inserted into the top nut to at least the stem bolt.

NOTE: Some models of bicycles may be equipped with a stem that has an adjustable angle. In addition to the normal assembly, these stems will require angling the stem to the desired position, and securely tightening the 6mm Allen bolt located underneath the stem. Failure to do this may cause loss of steering control.

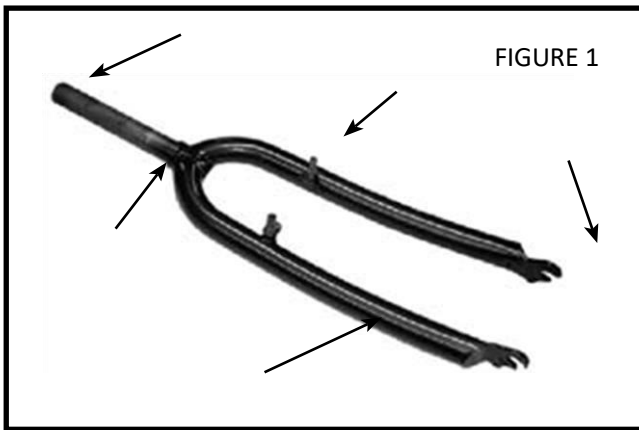


Stem Installation (should be assembled on the bike already)

1. Insert the compression bolt through the top cap and the stem. Begin threading into the star nut.
2. Tighten compression bolt so it removes all play from the fork, but allows the fork to rotate smoothly.
3. Align the stem with the front wheel. Tighten the stem clamp bolts to secure the stem to the steering tube.

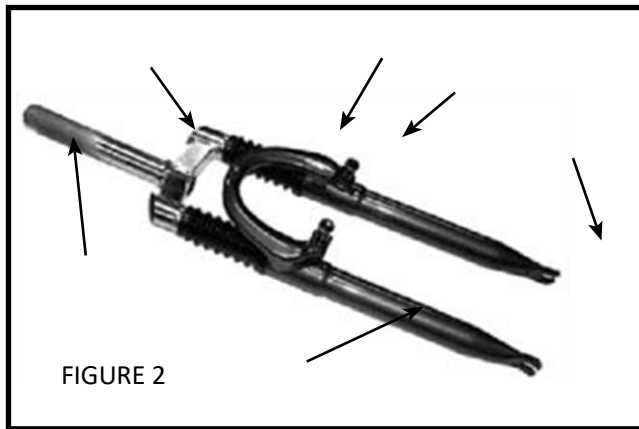
Handlebar Installation

1. Remove the stem cap bolts and stem cap.
2. Insert handlebar into the stem cap.
3. Tighten the stem cap bolts equally. Note the distance between the stem and stem cap "A" should be equal on the top and bottom of the stem cap



Forks

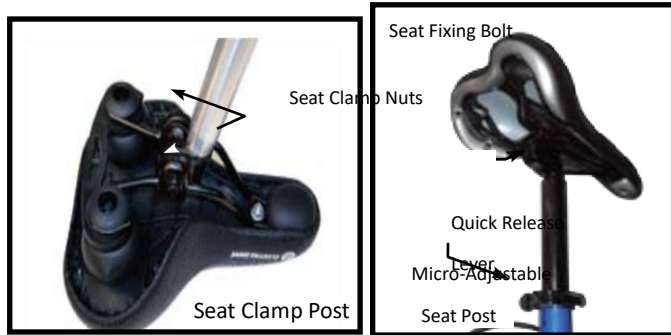
There are two different types of forks that vary in styles and dimensions. One type is a rigid fork (Figure 1) consisting of stationary tubing with curved blades. The other type is a suspension fork (Figure 2) consisting of inner stanchion tubes riding on elastomers or springs inside of a straight outer fork leg. This mechanism acts as a shock absorber with a specified amount of travel that varies between models. Some suspension forks are not adjustable and are very difficult to disassemble. If service is needed on a suspension fork, consult a professional bicycle repair technician



Your bicycle is equipped with a rigid Fork as shown in figure 1.

Do not attempt to disassemble a suspension fork yourself. Consult X-Treme Scooters for assistance.

If your bike is equipped with a suspension fork, check that the fork compresses and rebounds smoothly. To do this, place the fork dropouts against the ground, push and release the handlebar. The fork will generally compress 1-2" and rebound quickly. Most elastomer type forks will gradually soften with use.



SEAT AND SEAT POST

Your bicycle may come equipped with either a standard or a micro-adjustable seat post.

Standard seat post

Attach the seat to the seat post by first loosening the nuts on the seat clamp. Insert the tapered end of the seat post into the seat clamp until it is at the top of the clamp. Partially tighten the nuts on the seat clamp, then insert the seat assembly into the frame of the bicycle and adjust the seat to the proper height. The seat post must be inserted to at least the “Minimum Insertion” line. Move the quick release

lever to the closed position. You should feel considerable resistance while moving the lever. If not, re-open and tighten the lever, then move it to the closed position. See the section in this manual regarding quick releases for more detailed instructions. Adjust the seat to be centered in the clamp and generally level with the ground, then re-tighten the clamp nuts evenly before riding. Avoid riding the bike with a loose saddle.

Micro-adjustable seat post

Loosen the seat fixing bolt, then slide the seat into the clamp. The two seat rails should fit into the corresponding channels in the clamp. There is usually no need to completely remove the fixing bolt, but it may be necessary in some cases. Partially tighten the seat fixing bolt, then insert the seat assembly into the frame of the bicycle and adjust the seat to the proper height. The seat post must be inserted to at least the “Minimum Insertion” line. Move the quick release lever to the closed position.

You should feel considerable resistance while moving the lever. If not, re-open and tighten the lever, then move it to the closed position. See the section in this manual regarding quick releases for more detailed instructions. Adjust the seat to be centered in the clamp and generally level with the ground, then re-tighten the seat fixing bolt before riding. Avoid riding the bike with a loose saddle.

NOTE: Some models of bicycles may be equipped with a suspension seat post. Some suspension posts can be adjusted for stiffness using the preload adjusting screw. Turning the 6mm Allen screw Clockwise will make the suspension stiffer, while turning the 6mm Allen screw Counter-clockwise will make the suspension softer.

The seat post must be inserted so that the minimum insertion mark cannot be seen. The quick release mechanism must be tightened securely to prevent a sudden shift of the seat when riding. Failure to do this may cause loss of bicycle control.



Figure 1



Figure 2



Figure 3



Figure 4



Figure 5

INSTALLING THE FRONT WHEEL

1. Make sure the brakes are loose enough to allow the brake pads easily.
2. Place wheel into fork drop outs (Figure 1).
3. Insert Quick Release Axle (Figure 2) as shown in Figure 3 & 4 with nut.
4. When axle is in place, push lever down on axle to lock into place (Figure 5).
5. Spin the wheel to make sure it is centered and clears the brake shoes. Tighten brakes if necessary.

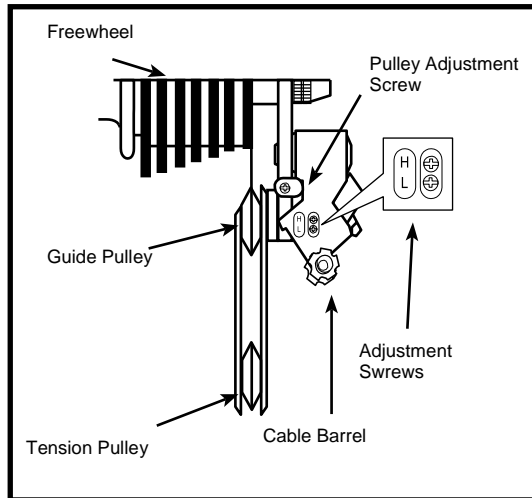
****IMPORTANT****

It is very important to check the front wheel connection to the bicycle. Failure to properly tighten may cause the front wheel to dislodge.



DISC BRAKES

1. Check the tightness of the six disc mounting bolts holding the brake rotor onto the wheel. If you need to remove these bolts, be sure to use a thread-locking compound when re-installing them.
2. Make sure the two bolts securing the caliper adaptor bracket to the fork are tight.
3. Thread the brake cable through the caliper as shown and secure it with the cable fixing bolt.
4. Loosen the two caliper mounting bolts enough to allow the brake caliper to float freely.



DERAILLEUR SYSTEMS

The derailleur system includes the front and rear derailleurs, the shift levers, and the derailleur control cables, all of which must function correctly for smooth gear shifting to occur.

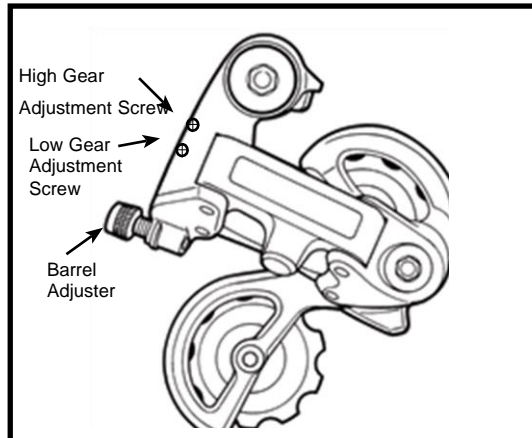
DERAILLEUR

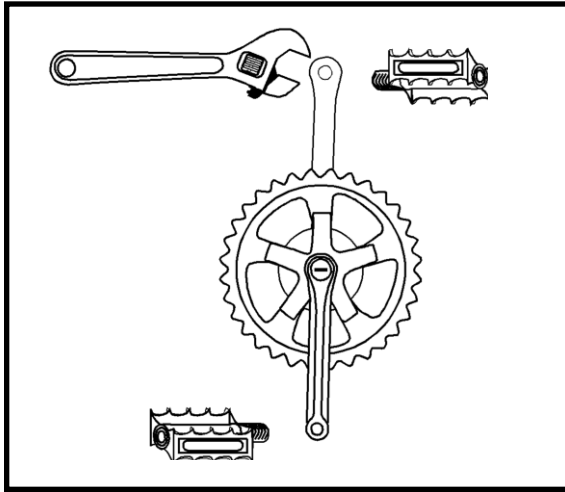
Although the front and rear derailleurs are initially adjusted at the factory, you will need to inspect and readjust both before riding the bicycle.

Rear derailleur

Begin by shifting the rear shifter to largest number indicated, loosen the cable from the rear derailleur cable anchor bolt, and place the chain on the smallest sprocket.

Adjust the High limit screw so the guide pulley and the smallest sprocket are lined up vertically. Re-tighten the cable, pull out any slack, and retighten the anchor bolt securely. Shift through the gears, making sure each gear achieved is done quietly and without hesitation. If necessary, use the barrel adjuster to fine tune the cable tension by turning it the direction you want the chain to go. For example, turning clockwise will loosen the cable tension and move the chain away from the wheel, while turning counter-clockwise will tighten cable tension and direct the chain towards the wheel.





Drivetrain

36The drivetrain of a bicycle refers to all parts that transmit power to the rear wheel including the pedals, chain, chain wheel, crank set and freewheel.

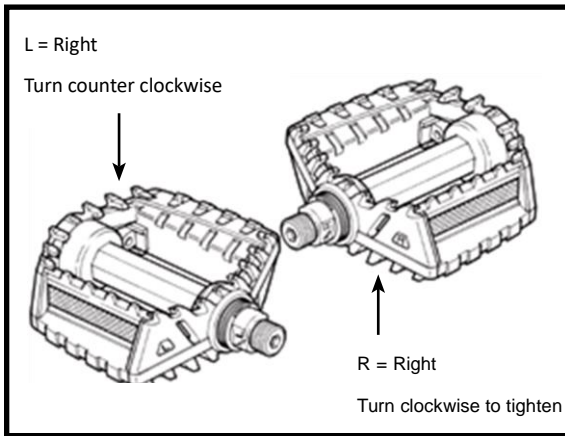
Pedals

Pedals are available in a variety of shapes, sizes and materials, and each are designed with a particular purpose in mind. Some pedals can be fitted with toe clips and straps. These help to keep the feet correctly positioned and allow the rider to exert pulling force, as well as downward pressure, on the pedals. Use of toe clips with straps requires practice to acquire the necessary skill to operate them safely.

Inspection

Pedals should be inspected every month, taking note of the following areas:

- Check correct tightness into the crank arms. If pedals are allowed to become loose, they will not only be dangerous but will also cause irreparable damage to the cranks.
- Check that pedal bearings are properly adjusted. Move the pedals up and down, and right to left, and also rotate them by hand. If you detect any looseness or roughness in the pedal bearings then adjustment, lubrication or replacement is required.
- Ensure that the front and rear pedal reflectors are clean and securely fitted.
- Also ensure that the toe clips, if fitted, are securely tightened to the pedals



****Important****

The left pedal has left handed threads and turns counter clockwise to tighten

TROUBLESHOOTING

PROBLEM	POSSIBLE CAUSE	REMEDY
Bicycle has reduced range and/or speed	Low batteries	Charge batteries for recommended time
	Faulty or old batteries	Replace batteries
	Low tire pressure	Inflate tires to recommended pressure
	Brakes dragging against disc	Adjust brakes and/or caliper
	Riding in hilly terrain, headwind, etc.	Reduced range to be expected
Hub motor makes a "clicking" noise and has reduce power and/ or shuts off	Low batteries	Charge batteries for recommended time
	Damaged planetary gears	Replace hub motor/wheel
No power when the switch is turned "ON"	Blown fuse	Replace fuse
	Loose connectors	Check all connectors
	Broke wire	Inspect all wires for damage Faulty switch
	Faulty switch	Replace switch and retest Faulty controller
	Faulty controller	Replace controller and retest
Bicycle runs at full speed without pedaling	Faulty TMM sensor (Enlightened Series)	Replace TMM sensor and retest Faulty throttle
	Faulty throttle	Replace throttle and retest Faulty controller
	Faulty controller	Replace controller and retest
Battery indicates full charge when tested at the charger port but bicycle doesn't operate	Blown fuse	Replace fuse
	Loose connectors	Check all connectors
	Poor contact between battery terminals	Inspect and clean battery terminals
Bicycle (RMB or STB Series) works in TAG mode but not in PAS mode	Sensor and sensor ring not aligned	Realigned so gap between sensor and
	Faulty "White Box" sensor ring is 1-2mm	Replace "White Box" and retest
PROBLEM	POSSIBLE CAUSE	REMEDY
Throttle does not spring back to neutral position	Grip jammed against throttle	Adjust the gap 1-2mm between grip and the throttle
	Faulty throttle	Replace throttle
Bicycle has intermittent power	Loose connectors	Check all connectors
	Loose fuse	Check fuse connector

	Damaged wires	Inspect all wires
Charger shows a full charge in an unusually short amount of time	Faulty charger	Replace charger Faulty
	batteries	Replace batteries
Indicator light on charger not illuminated when charger is plugged into outlet	Outlet has no power	Check outlet for power
	Blown fuse (Li-Po4 chargers)	Replace fuse
	Faulty charger	Replace charger
Charger (Li-Po4) indicator light only flashes orange and never changes to red	Damage wire from charger port to battery	Inspect wire
	Faulty batteries	Replace batteries

SPECIFICATIONS

Battery:	36V/10AH Lithium Battery
Frame:	Alloy 6061-T6, TIG welded
Handlebar:	Alloy, with Promax gooseneck
Cranks and Chain wheel:	Forged alloy cranks and single aluminum chain wheel
Brake:	F/R Tektro disc brakes & Wuxing full alloy brake lever
Front Hub:	Quick Release Alloy Front Hub
Rear Hub:	350W Sealed Wheel Hub Zero Resistance Motor
Front Forks:	Hydraulic
Seat Post:	Alloy
Rim:	Alloy, double wall
Tire:	26" x 1.95 Kenda
Gears:	Shimano® 7-speed, Shimano® Tourney rear derailleur
Throttle Type:	Variable Speed Control - Twist Throttle - or - Pedal & Power Assisted (PAS) - or – Turn Off Power & Pedal Only
PAS System:	LED Panel with 4 Speed Options - Zero (pedal only)/Low/Med/High
Accessories:	Alloy adjustable rear rack - Front LED Light

How To Check Battery Terminals If Battery Not Charging Properly

- 1.) Remove battery pack from bike
 - 2.) Remove cap from end of battery that has the Four Slots (Key end).
 - 3.) Remove cover plate.
 - 4.) You are now able to look at the Red and Black wires; the Two Black wires should be on the same side as the Key.
 - 5.) If the Black wires are not on the side of the Key carefully open the Terminal Block Cover.
**Note: if the Red and Black wires touch they may spark, keep them separate to avoid this.*
 - 6.) With the terminal block cover open lift out the pair of Red and Black wires and relocate them with the Black pair on the same side as the Key.
 - 7.) Close cover on terminal block.
 - 8.) Place terminal block back into cap, place cover on terminal block and install screws.
 - 9.) Re-install cap onto battery.
 - 10.) Charge battery per manual instructions. Your battery should now be charging correctly.
-

How To Adjust Disc Brake

The disc brake does have some float in it, therefore, it tends to re-adjust itself ever so slightly each time the brake lever is released. If you are having difficulty with your brake here are a few suggestions that may help you out:

Should the disc rotor noticeably deflect to one side upon squeezing the brake lever, simply re-adjust the disc bracket where it attaches to the frame and center the disc rotor in the slot of the caliper. It may be necessary to back the brake pads away from the rotor in order to center the disc rotor. (Remember though, when you loosen this bracket that the interface between the pads & the rotor will be changed making it harder to re-adjust the pads without having them rub, also if the rotor is not perfectly true it may cause a slight rub when adjusted properly. This will simply require some break in time to allow the pads to wear parallel once again with the rotor.)

Adjust the brake pads before tightening the cable anchor bolt. Adjusting the brake pads with the cable detached allows for a more precise adjustment because there is no pressure on the internal spring in the caliper.

Adjust the pads inward on both sides until the pads slightly touch, then with your thumb push the actuating arm of the caliper forward to mimic the movement of the brake lever. It may take 3 or 4 times of this procedure in order to obtain the best adjustment (this seems to be the best way to compensate for the float in the caliper).

Once the pads are adjusted properly, one can then connect the cable to the actuating arm of the caliper and tighten it down with the anchor bolt. The actuating arm on the caliper should be at the 11-12 o'clock position when brake is not being used.

After the cable is secured to the caliper, squeeze the lever several times to see if the brake rubs. At this point in time adjust the brake pads inward or outward depending on if the brake is rubbing or if there is a space between the pad(s) and rotor. (hint: a half turn of adjustment inward of the brake pad can be the difference between having a brake lever that feels spongy to one that is not.)

How To Replace Brake Lever

- 1.) Loosen brake cable at caliper to gain slack in cable.
 - 2.) Remove cable from brake lever
 - 3.) Remove handlebar grip.
 - 4.) The easiest way to switch the brake wires is to cut and splice the wires between the lever and where the wire enters the frame. The alternate method would be to fish the wires through the frame back to the controller.
 - 5.) Loosen brake lever holder and slide off handlebar.
 - 6.) Assemble in reverse order.
-

How To Adjust Derailleur

- 1.) The cable simply needs to be adjusted for 6th & 7th gear to work.
 - 2.) With it on the center stand run the gears down to 1st gear.
 - 3.) On the derailleur there is a Clamp that holds the Cable - Loosen this nut.
 - 4.) Go to the gear shifter on the handlebar and push the other end of the cable In to the socket so that there is No Slack at that end.
 - 5.) Go back to the derailleur and use a pair of pliers to pull the cable snug and tighten the clamp nut.
 - 6.) Run the gears up and down the derailleur. You may Fine Tune with the two screws on the derailleur as described in the manual.
- *** The key to this adjustment is to Not have any slack in the cable at the gear shifter end on the handlebar.
-

How To Remove Rear Wheel

- 1.) Remove the four screws from the aluminum plate located on the lower left side of the bike.
- 2.) You will have access to the controller and wires.
- 3.) Disconnect the three heavier gauge wires: Blue, yellow and green.
- 4.) Next you will see a six pin connector (only five wires). Using a paperclip or toothpick bend the retaining tab on the terminals to remove all five wires from the connector
- 5.) Be sure to install wires back into the connector in the proper location when reassembling.
- 6.) Loosen the axle nuts and slide the wheel out of the frame.

- 7.) With the wire connector removed from the wires you can now remove the wheel assembly.
-

How To Replace Pedal Shaft

(Left & Right is based on sitting on bicycle) Keep parts laid out in order for easier installment. Make yourself a drawing if needed and label each part when removed.

- 1.) Remove plastic pedal arm cover, that covers center shaft and nut and remove the nut and pull arm off of shaft. **(Make note of distance inner ring sticks out from outer ring to be used later for reassembly)**
 - 2.) Turn larger outer ring counterclockwise with punch and remove from inner adjustment ring.
 - 3.) Remove inner bearing adjuster ring and remove inner bearing set.
 - 4.) Perform steps 1-3 for the right side.
 - 5.) Remove center shaft. Before reassembly grease bearings and inner bearing races with high grade grease.
 - 6.) Replace new part with one that was needed replaced and reassemble in reverse order. Install left section first and set the distance recorded from last part of step 1).
 - 7.) Installing right side adjust inner ring to bearing pressure by turning clockwise until stiffness while rotating the shaft and back off screw 1/8" turn out counterclockwise. **(One rotation equals full turn, and 1/2 turn would be equal to from 12 o'clock to 6 o'clock, a 1/4 would be 15 min position, and 1/8 position would be equal to 5-7 min on clock.)** Use a marker and mark a line from this to frame to keep this position. Install outer lock ring tight but keeping inner ring on the mark.
 - 8.) Install both arms and nuts and covers.
-



DO NOT RETURN TO STORE!

**IF YOU NEED HELP
CALL OR GO ONLINE**

1-253-777-0690

<https://support.x-tremescooters.com/>

**For General Information or Parts
Visit www.x-tremescooters.com**

www.ElectricBicycle.com

Revised 03//19/19

