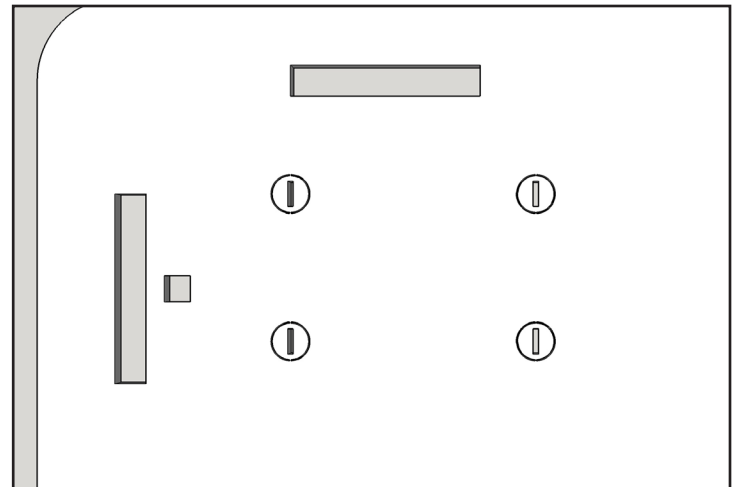


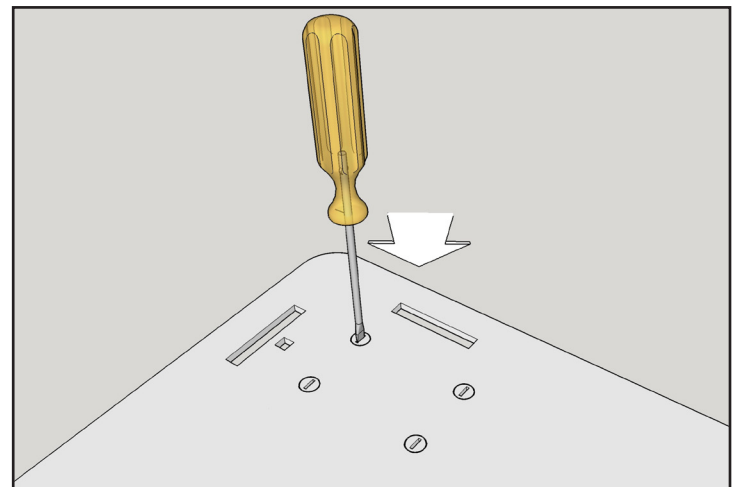


Pyro Tower Caster Base

To install casters on your Pyro Tower Base you will first need to remove the circular “knock outs” from the bolt holes - don’t worry, it’s super easy.



Insert a slotted (flat-head) screwdriver into the notch of the knock out.



Using the screwdriver for leverage, rock the knock out back and forth until it breaks free. Repeat on the remaining bolt holes.

