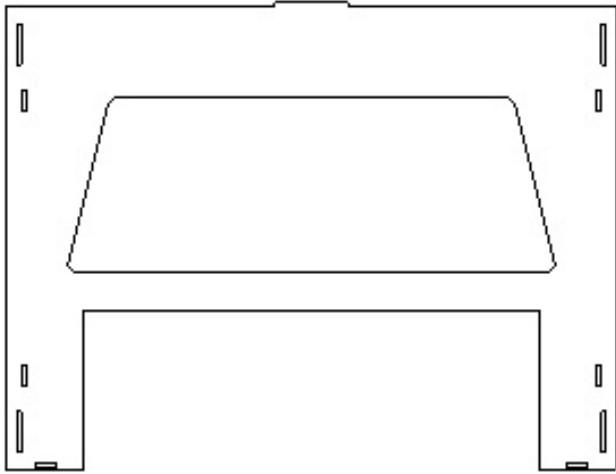




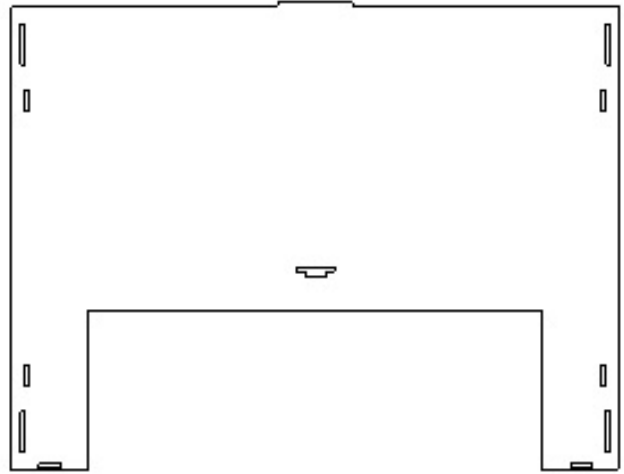
Pedestal Base Assembly

Thank you for your purchase. Please read and understand this manual before assembling or operating your Pyro Tower. If you have any questions regarding assembly or use that are not covered in this manual please visit our website at www.ProudPyro.com or email us at info@ProudPyro.com and we will be happy to assist you!

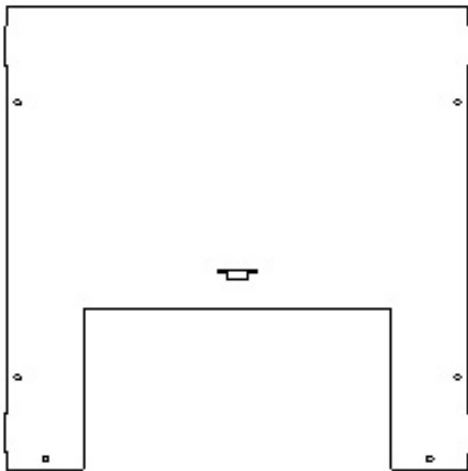
Parts List



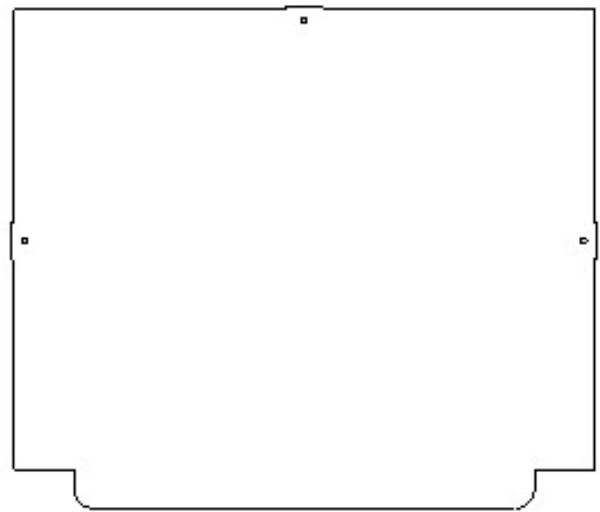
Qty 1 - Fron Legs



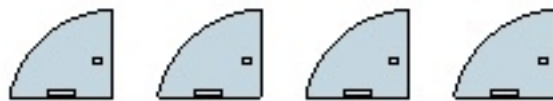
Qty 1 - Rear Legs



Qty 2 - Side Legs

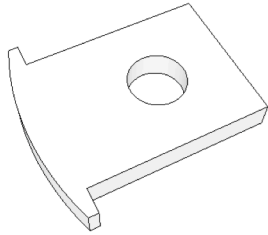


Qty 2 - Side Legs



Qty 4 - Feet

Hardware List



Qty 19 - Shoulder Tabs



Qty 4 - 1/4" x 1" Carriage Bolt



Qty 19 - 1/4" Lock Washer



Qty 19 - Washer



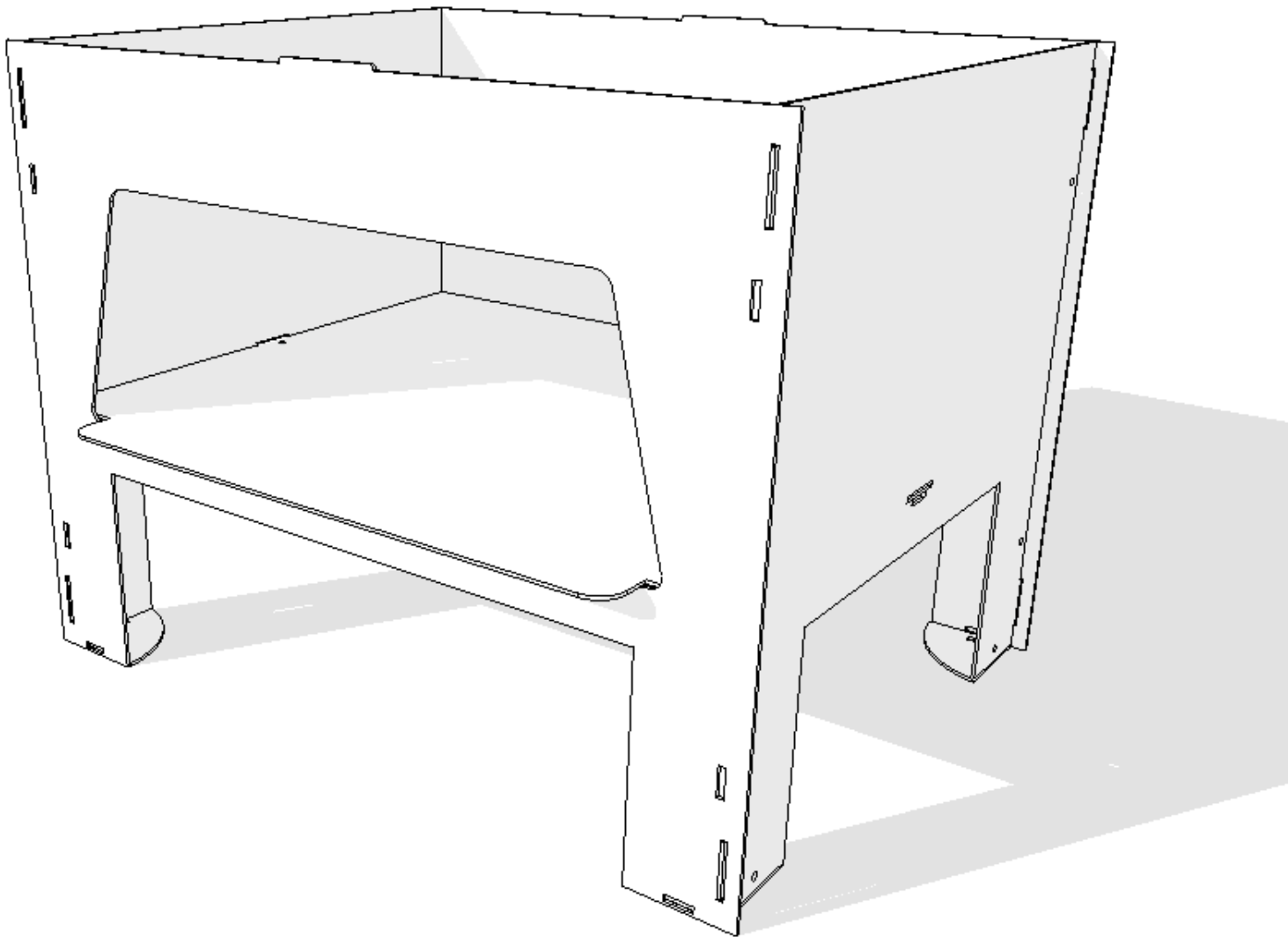
Qty 19 - 1/4" Hex Nut



Qty 15 - 1/4" x 1" Hex Bolt

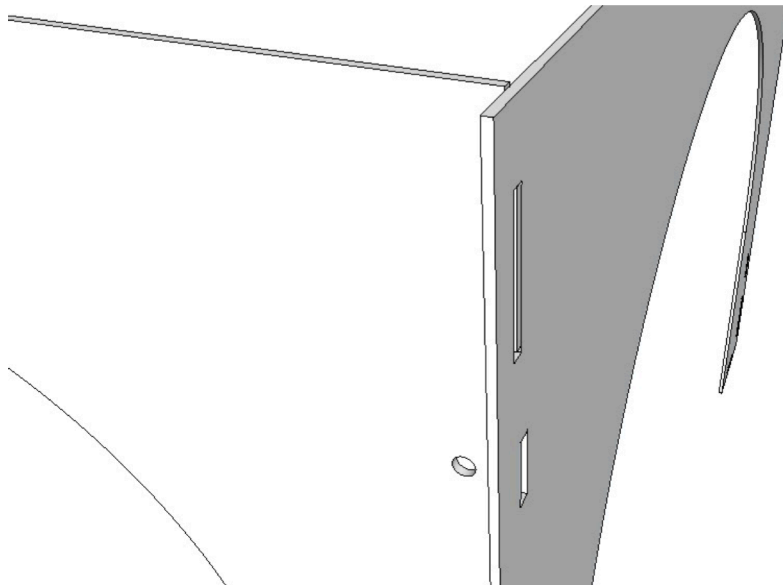
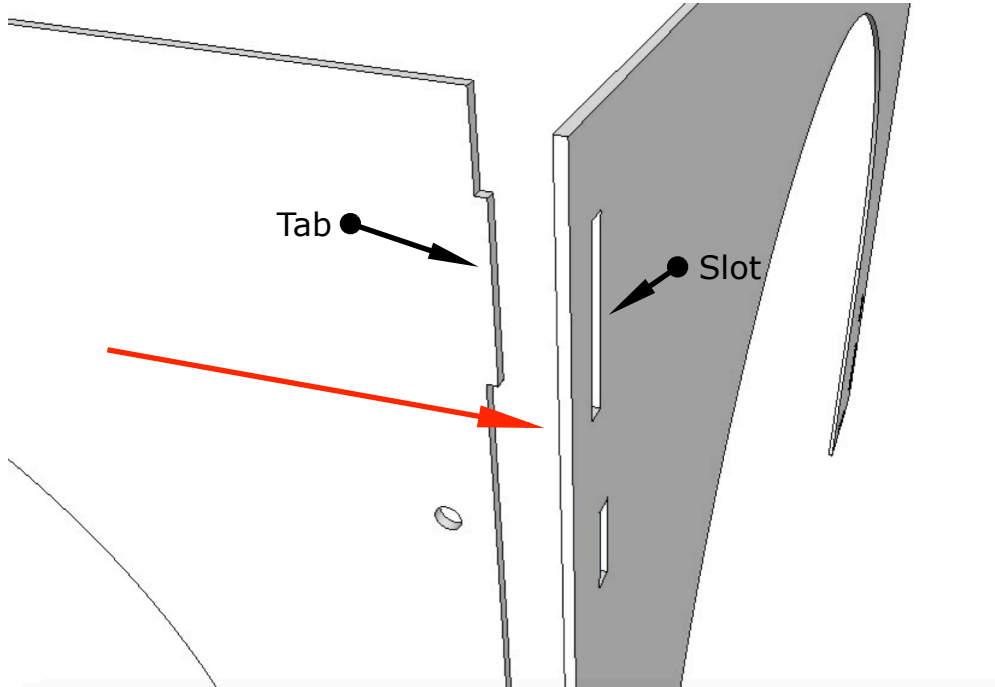
Assembly Overview

Assembly of the Pedestal Base is designed to be easily accomplished by two people in less than 15 minutes. The self-aligning tab and slot system helps support the structure as you insert the shoulder tabs for bolting. Once you learn the basic steps for aligning the tabs and slots and how to insert the shoulder tabs assembling the pedestal will be a piece of cake.



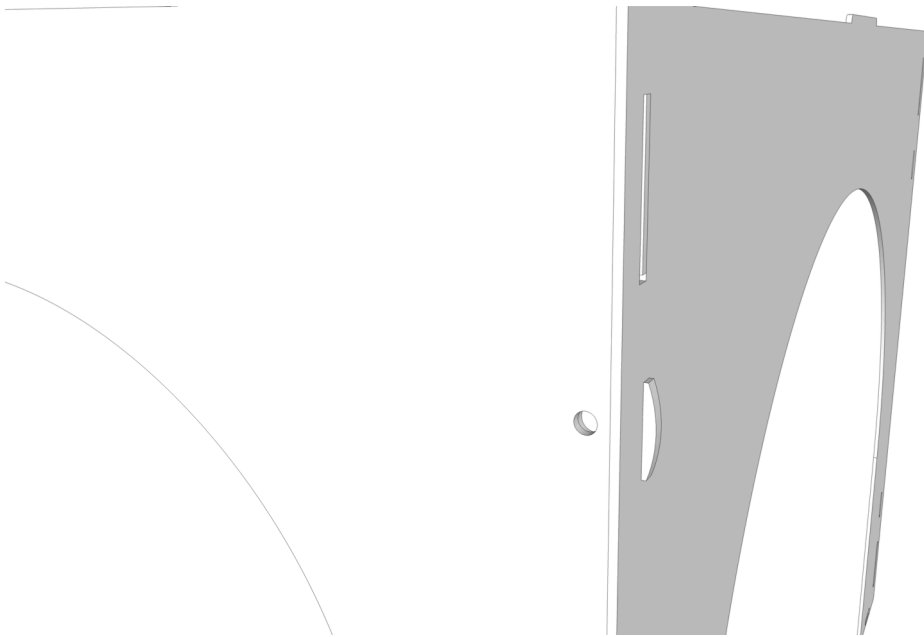
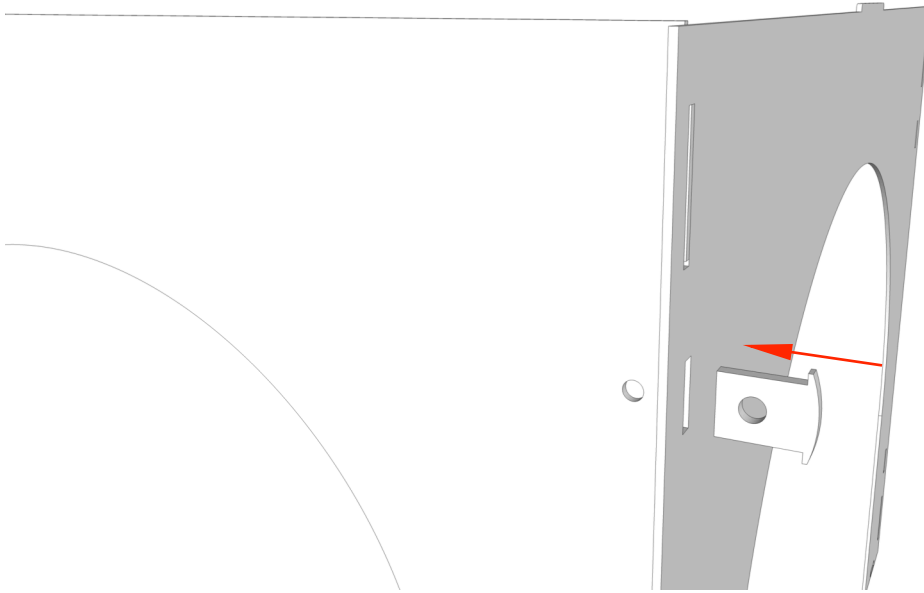
Tab and Slots

Beginning with the back piece and a side piece, insert the tabs into the corresponding slots.



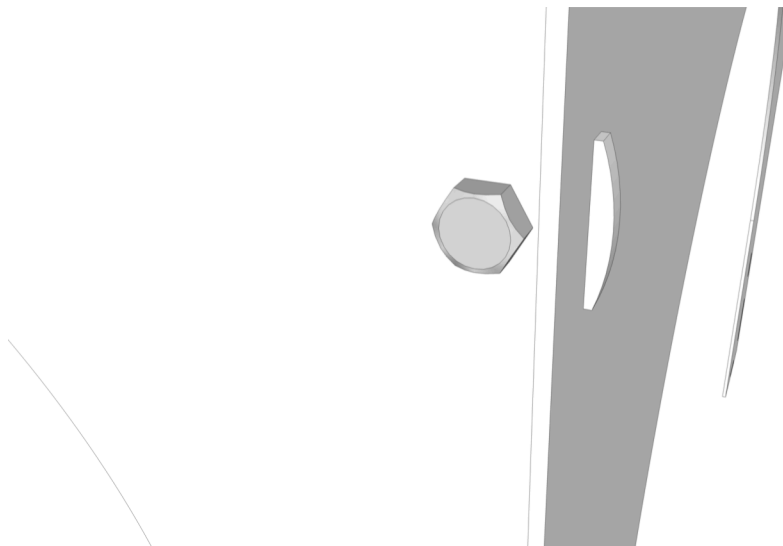
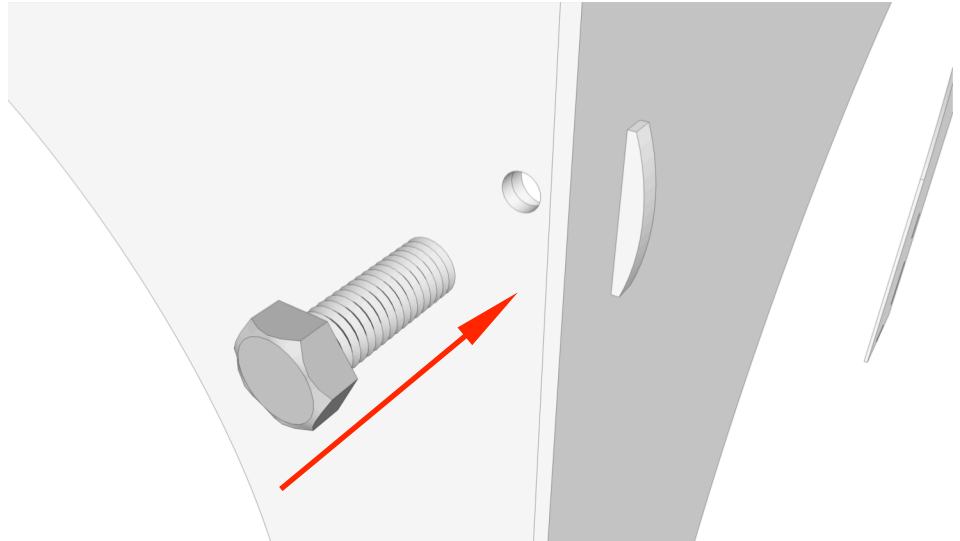
Shoulder Tabs

Insert Shoulder Tabs into slots.

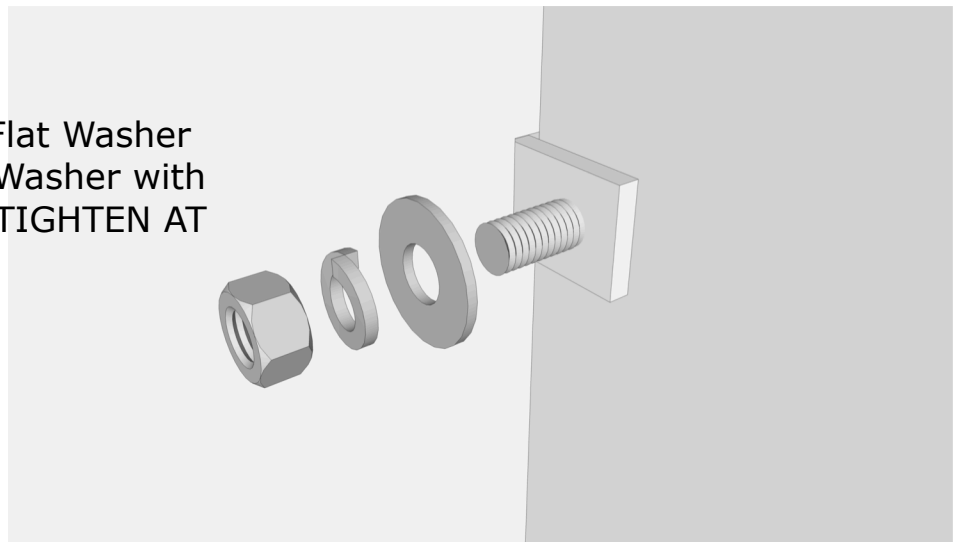


Install Hardware

Insert 1/4" x 1" Hex Bolts through bolt holes joining shoulder tabs to legs.

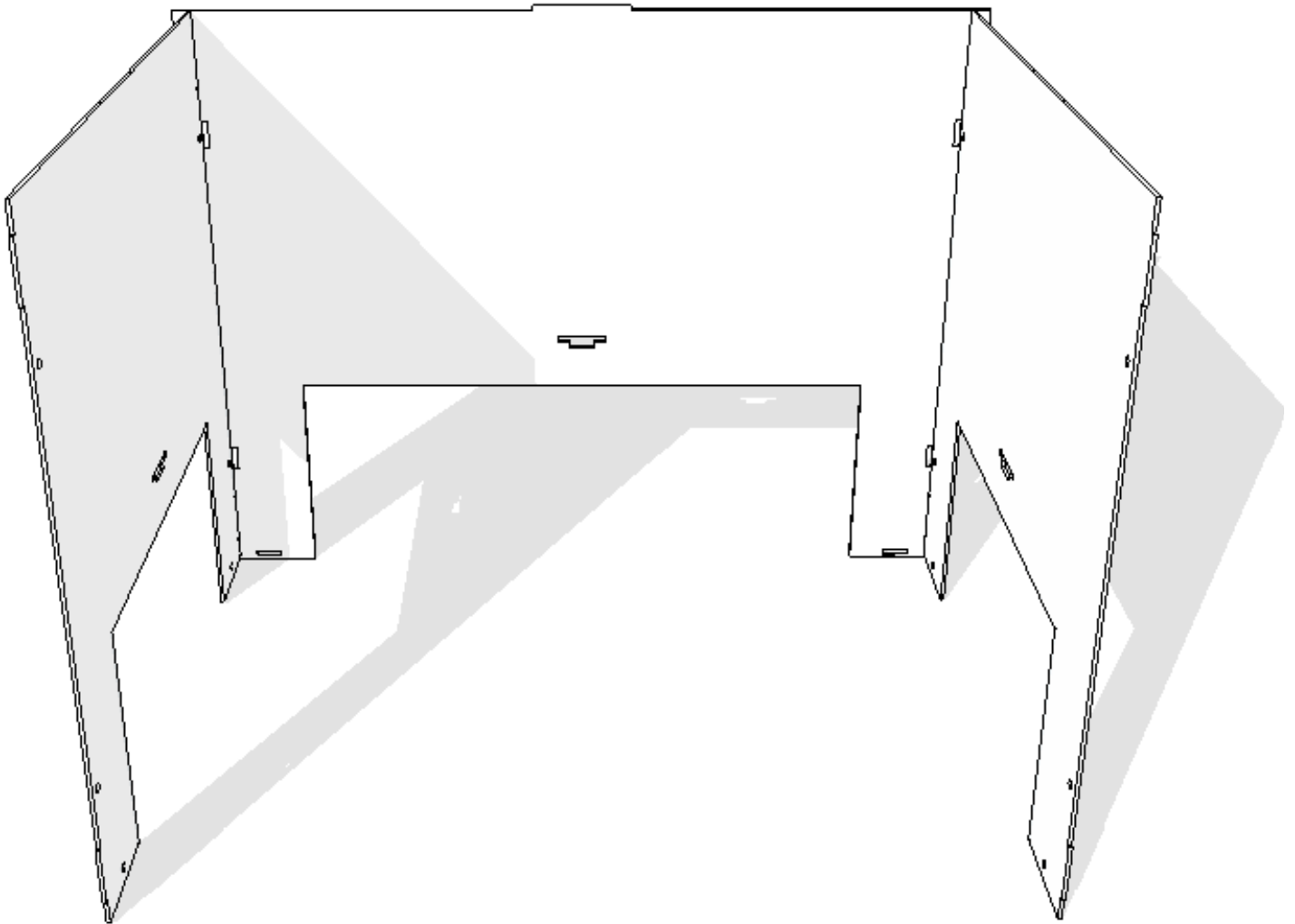


Secure bolt with 1/4" Flat Washer followed by 1/4" Lock Washer with 1/4" hex nut. FINGER TIGHTEN AT THIS POINT.



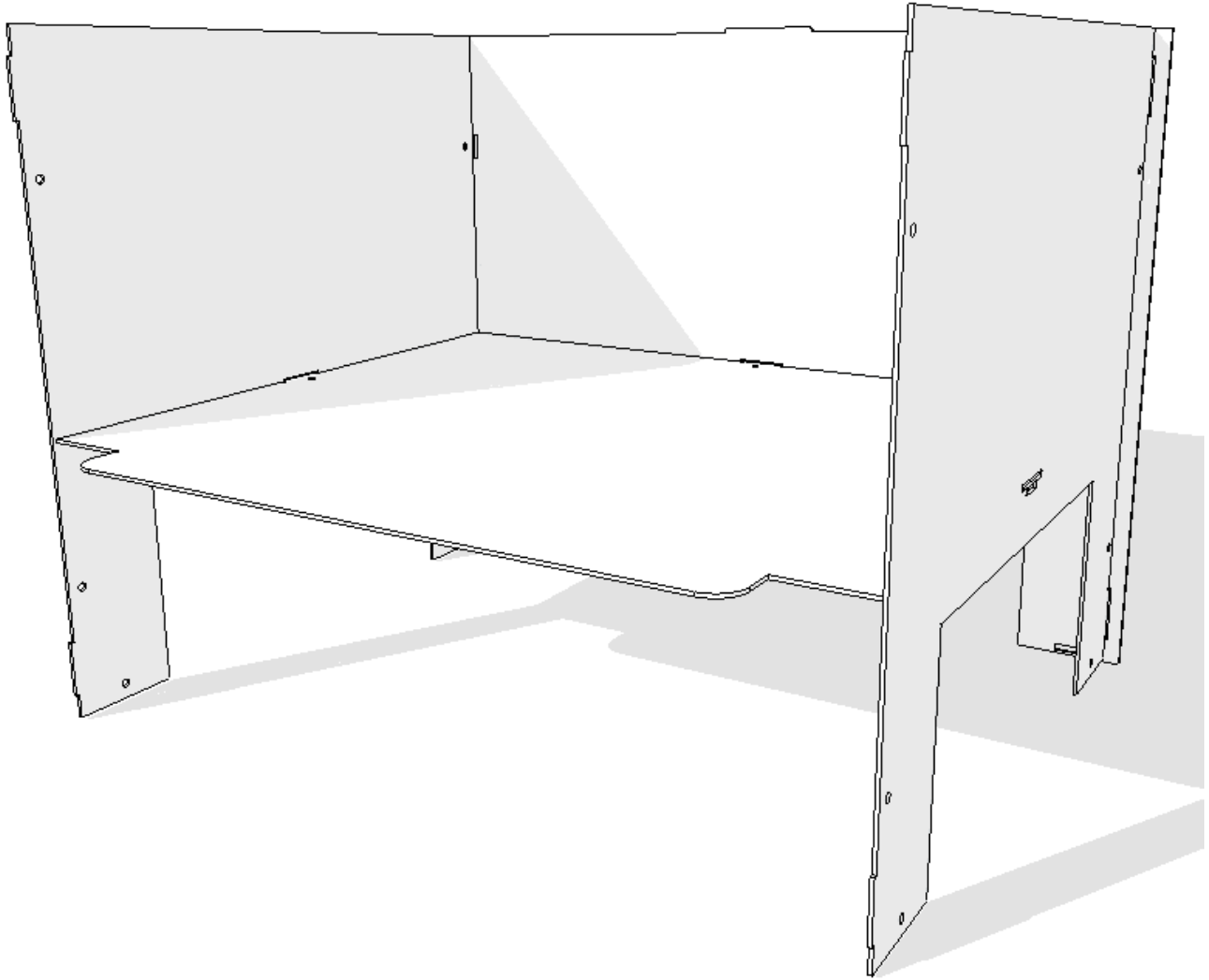
Assembly Continued

Repeat the previous steps to attach the second side panel to the Pedestal Base. Your Pedestal should look like the image below at this point.



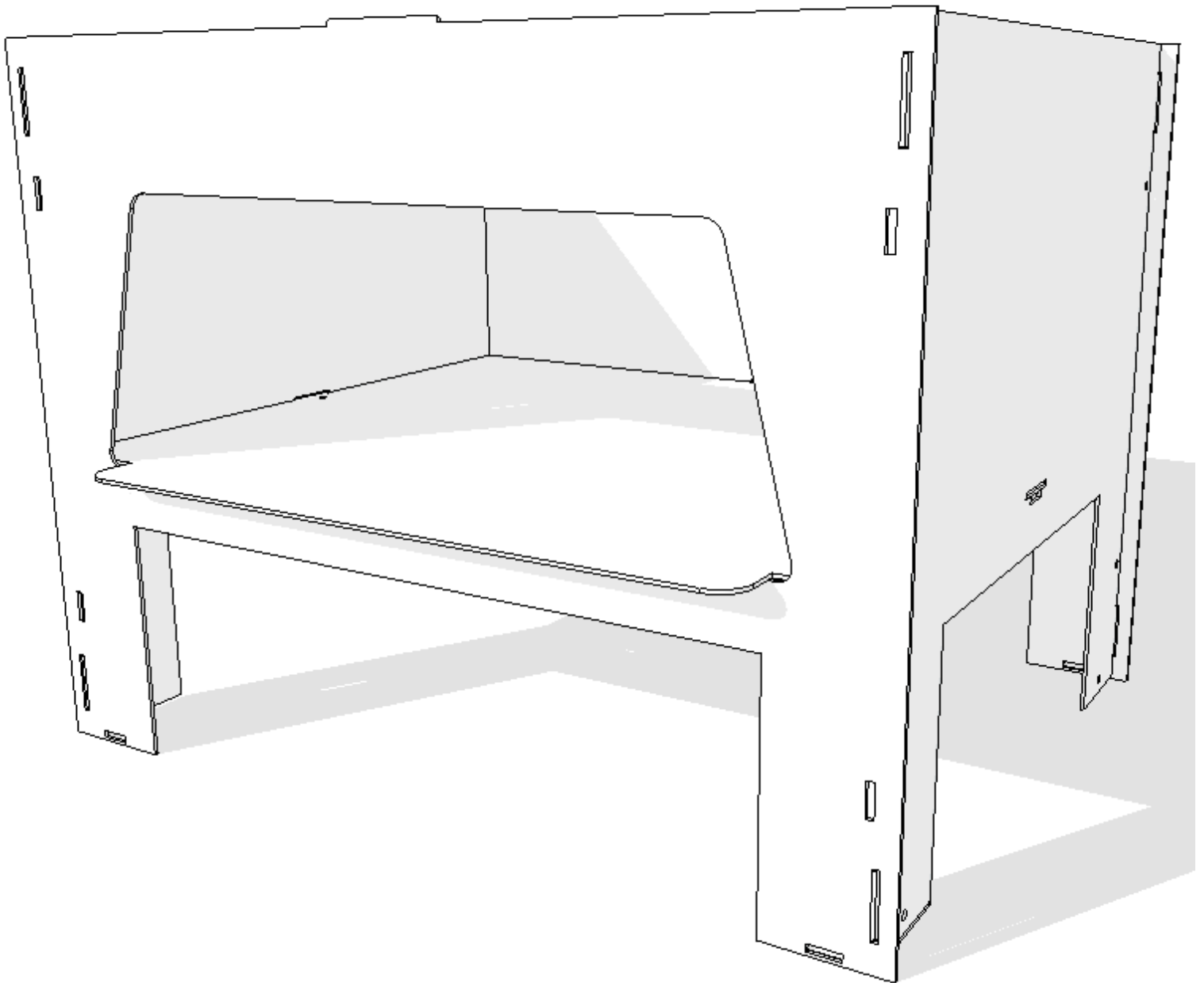
Assembly Continued

Insert the Interior Shelf piece into the corresponding slots with the curved face pointing to the front of the unit. Attach the shoulder tabs and fasteners as before.



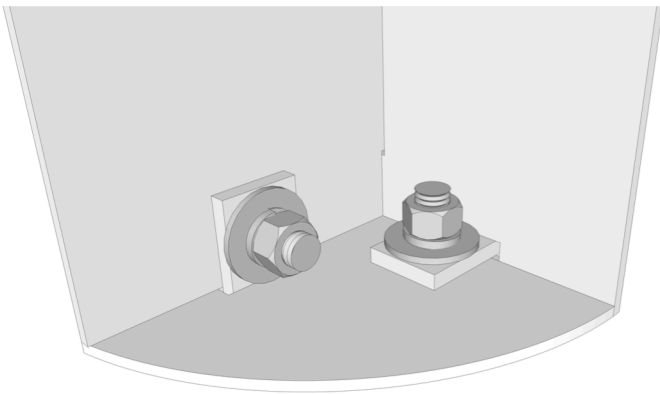
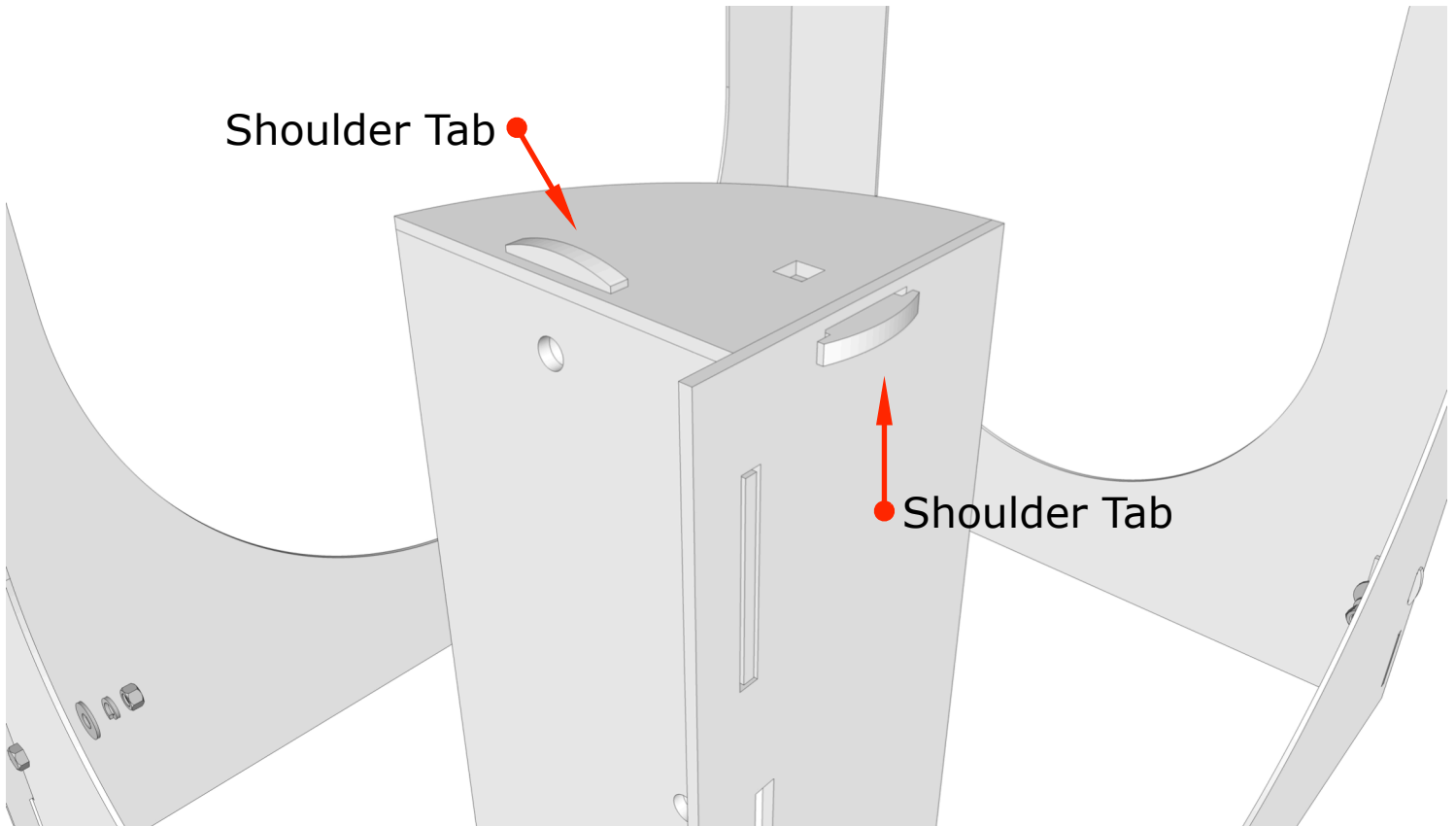
Assembly Continued

Attach the front panel to the unit. The Interior Shelf rests on the bottom of the front opening. Secure in place using shoulder tabs and fasteners.

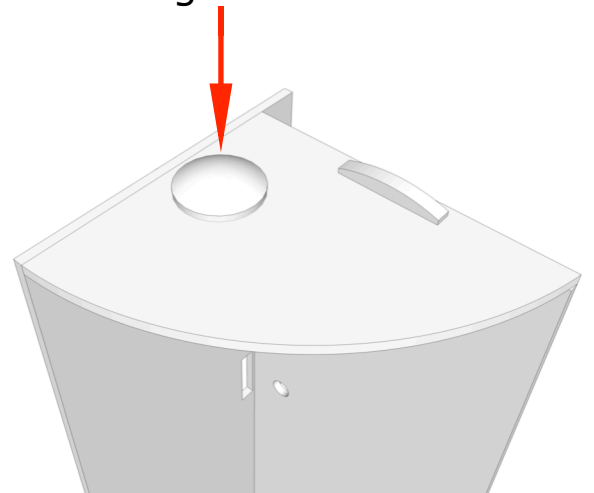


Attach Feet

Flip the table upside down. Attach feet as shown.

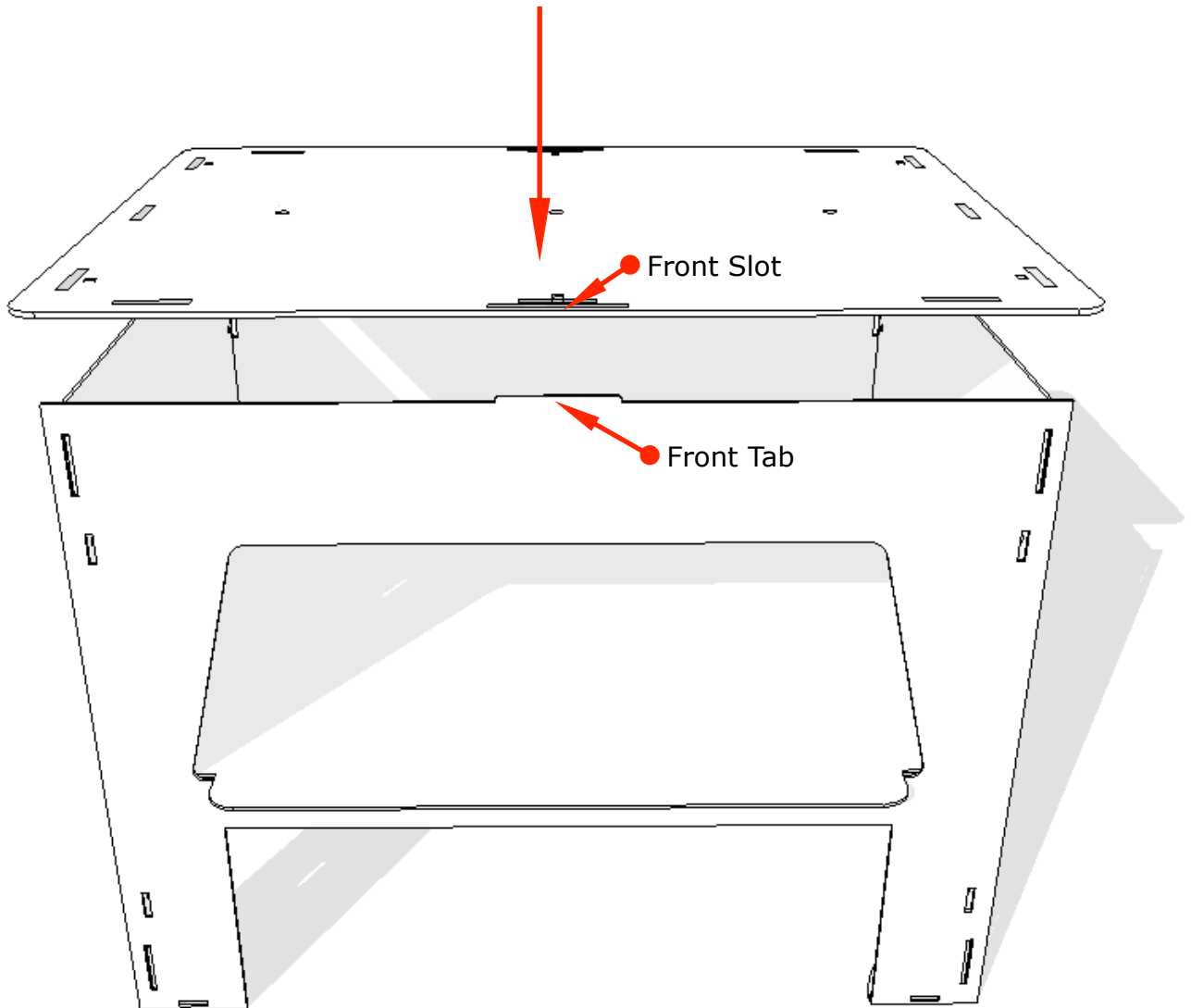


1/4" Carriage Bolt on bottom



Complete Assembly

Once the feet have been installed and tightened fully you can go back and fully tighten the remaining hardware. Finally, you can set the Pyro Tower Base on top to complete assembly by aligning the front and rear slots on the base to the tabs on the pedestal unit.



Caring For Your Pyro Tower

Every part of your Pyro Tower was hand-rubbed with an FDA Approved polymerized linseed oil to provide a safe and natural finish to protect the steel from moisture designed to delay the natural rusting process.

If you wish to preserve the look of your Pyro Tower's original appearance then it will be necessary to apply additional coats of oil after the first burn and to periodically inspect and reapply the oil as it will degrade over time due to UV exposure from the sun. Simply clean your Pyro Tower with a dry cloth or warm water if necessary. Allow to dry completely. Use a staining pad or cloth rag to apply a very thin layer of food-safe polymerized linseed oil to all surfaces. Thoroughly buff when done to remove excess oil to prevent a gummy finish.

You may also choose to allow the Pyro Tower to age beautifully through the natural Patina process. Patina is a natural weathering process which occurs when metal is exposed to oxygen and moisture that will gradually change bare steel from a bluish gray color to a dark reddish brown. This natural process varies the appearance of each piece making every Blaze unique.

Patina vs. Rust

This is a bit like geometry where a square is a rectangle but a rectangle is not a square. It's true that rust is a part of the patina process but whereas rust has a well-deserved negative connotation a mature patina is actually a natural protective coating that will preserve the integrity of the underlying metal.

The Pyro Tower is constructed from 3/16" plate steel that is three to five times thicker than grills and fire pits from other manufacturers. The surface rust that forms in the early stages of the patina process will not rust through the thicker steel of the Pyro Tower as it will on thinner metal and will gradually convert into an aesthetically pleasing protective shell that will last for decades.

One thing to note is that water runoff during the early stages of the patina process can stain wood, concrete, or other light colored surfaces so keep that in mind when selecting the location for your Pyro Tower.