



## Blaze Monolith Assembly Manual

Thank you for your purchase. Please read and understand this manual before assembling or operating your Monolith. If you have any questions regarding assembly or use that are not covered in this manual please visit our website at [www.blazetower.com](http://www.blazetower.com) or email us at [info@blazetower.com](mailto:info@blazetower.com) and we will be happy to assist you!

# WARNING: FOR YOUR SAFETY

1. This appliance is for outdoor use only and should NOT be used in a building, garage, or any other enclosed area.
  2. Do NOT use this outdoor fire pit for indoor heating. TOXIC carbon monoxide fumes can accumulate and cause asphyxiation.
  3. This outdoor fire pit is NOT recommended for unsupervised use.
  4. This outdoor fire pit is NOT to be operated by children. Special supervision is required when children will be near the fire pit as all metal surfaces become extremely hot!
  5. This outdoor fire pit is NOT to be used in or on boats or recreational vehicles.
  6. Always use in accordance with all applicable local, state, and national codes. Contact your local fire department for details on outdoor burning.
  7. When using this outdoor fire pit, exercise the same precautions you would with any open fire.
  8. The use of alcohol, prescription or non-prescription drugs may impair the consumer's ability to properly assemble or safely operate this outdoor fire pit.
  9. Do NOT use this outdoor fire pit without reading this "Owner's Manual."
  10. This outdoor fire pit is for use with dry, seasoned hardwood. It will burn hotter, more completely and create less smoke.
  11. Do NOT burn manufactured logs, driftwood, trash, leaves, paper, cardboard, plywood, painted or stained or pressure treated wood. Avoid using soft woods such as pine or cedar that can throw sparks.
  12. Do NOT alter this outdoor fire pit in any manner.
  13. Do NOT use this outdoor fire pit until it is completely assembled.
  14. Do NOT store or use gasoline or other flammable vapors or liquids in the vicinity of this or any other appliance.
  15. Do NOT store or use an LPG cylinder within 10 feet of this outdoor fire pit while it is in operation.
  16. Do NOT use this outdoor fire pit near automobiles, trucks, vans or recreational vehicles.
  17. Do NOT use in an explosive atmosphere. Keep outdoor fire pit area clear and free from combustible materials, gasoline and other flammable liquids.
  18. Do NOT use this outdoor fire pit under any overhang or near any unprotected combustible constructions. Avoid using near or under any overhanging trees or shrubs.
  19. Always empty this outdoor fire pit before each use once the fire pit has cooled COMPLETELY. Leave a thin layer of ash to protect the bottom of the base.
  20. Do NOT wear flammable or loose clothing when operating this fire pit.
  21. Do NOT use in windy conditions.
  22. Do NOT use gasoline, kerosene, diesel fuel, lighter fluid or alcohol to light or re-light fires.
  23. Keep all electrical cords away from a hot fire pit.
  24. All surfaces of this outdoor fire pit are hot when in operation. To avoid burns, do NOT touch any part of the fire pit until it has cooled completely. Wear protective gear (i.e. potholders, gloves, BBQ mittens, hot pads, etc.) to handle any parts. NEVER touch ashes or coals to see if they are hot.
  25. Do NOT leave a lit outdoor fire pit unattended, especially around children and pets.
  26. Do NOT attempt to move or store this outdoor fire pit until all ashes and coals are completely extinguished.
  27. Do NOT remove ashes or coals until they are completely and fully extinguished.
  28. Use heat resistant gloves or hot pads when touching any surfaces of the fire pit.
  29. Do NOT place wood or charcoal directly into bottom of the outdoor fire pit. Place wood only on the LOG grate.
  30. Do NOT overload the fire pit. Do not add additional firewood until the fire burns down. NOTE: If any portion of the tower, lid or spark guard/firescreen of this outdoor fire pit are glowing, your fire is TOO BIG and the fire pit is overloaded.
  31. Do NOT lean over this outdoor fire pit when lighting or while in use.
  32. Do NOT place a hot spark guard/firescreen or hot fire tool onto a combustible surface such as grass, wood or furniture.
  33. Avoid breathing smoke from the fire and avoid getting it into your eyes.
  34. This outdoor fire pit should be thoroughly inspected and cleaned on a regular basis.
  35. After a period of storage and/or non-use, check for signs of damage and creosote build-up. Do NOT operate until necessary repairs and/or clean up are executed.
  36. Death, serious injury or property damage may occur if the above is not followed exactly.
- CAUTION: If you intend to use this item on a wooden deck or other combustible surface, or any surface that is not entirely resistant to high heat, you MUST use the spark screen to prevent sparks or burning material from coming into contact with the ground or surrounding area. A non-flammable and heat resistant material such as concrete pavers, brick, or stone between the fire pit and the surface must also be used if the optional Pedestal Base is not attached.

# Hardware List

Two bags of hardware are included with your Monolith. The first bag contains hardware for assembling the four side pieces of the tower. The second bag contains hardware for assembling the four side pieces to the bottom base.

## Tower Bag



1/4" Zinc Lock Washer

Qty. 12



1/4" Zinc Flat Washer

Qty. 12



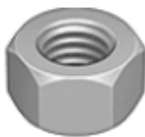
#12 Stainless Lock Washer

Qty. 12



1/4" Stainless Socket Head Cap Screw

Qty. 12



1/4" Zinc Hex Nut

Qty. 12



Shoulder Tabs

Qty. 12

## Base Bag



1/4" Zinc Lock Washer

Qty. 6



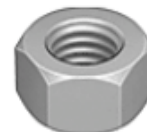
1/4" Zinc Flat Washer

Qty. 6



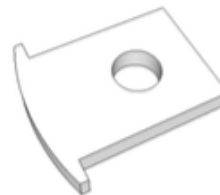
1/4" Zinc Carriage Bolt

Qty. 6



1/4" Zinc Hex Nut

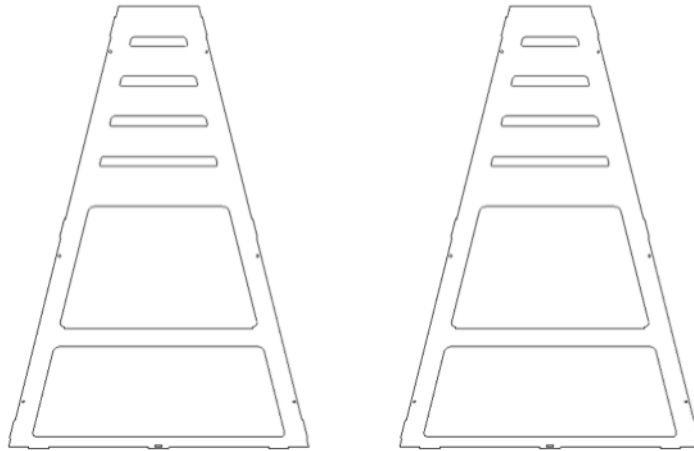
Qty. 6



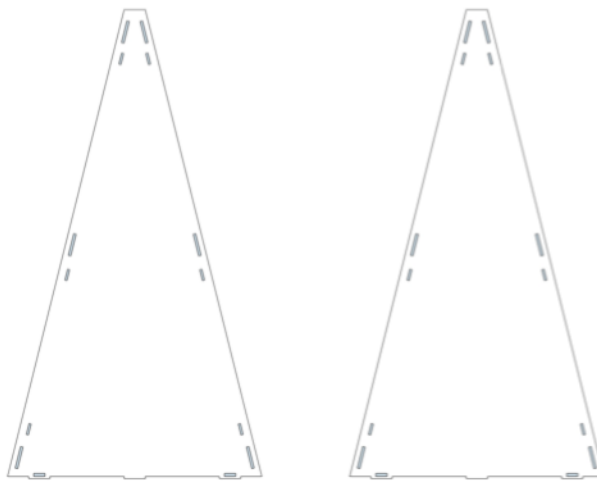
Shoulder Tabs

Qty. 6

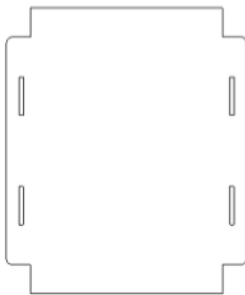
# Parts List



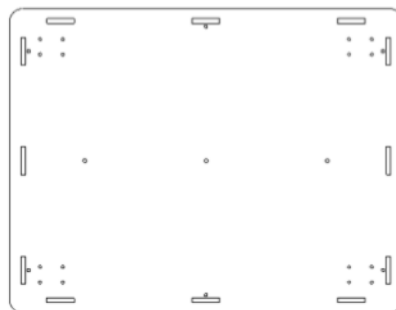
Tower Front/Back Piece



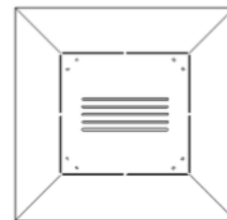
Tower Side Pieces



Middle Shelf



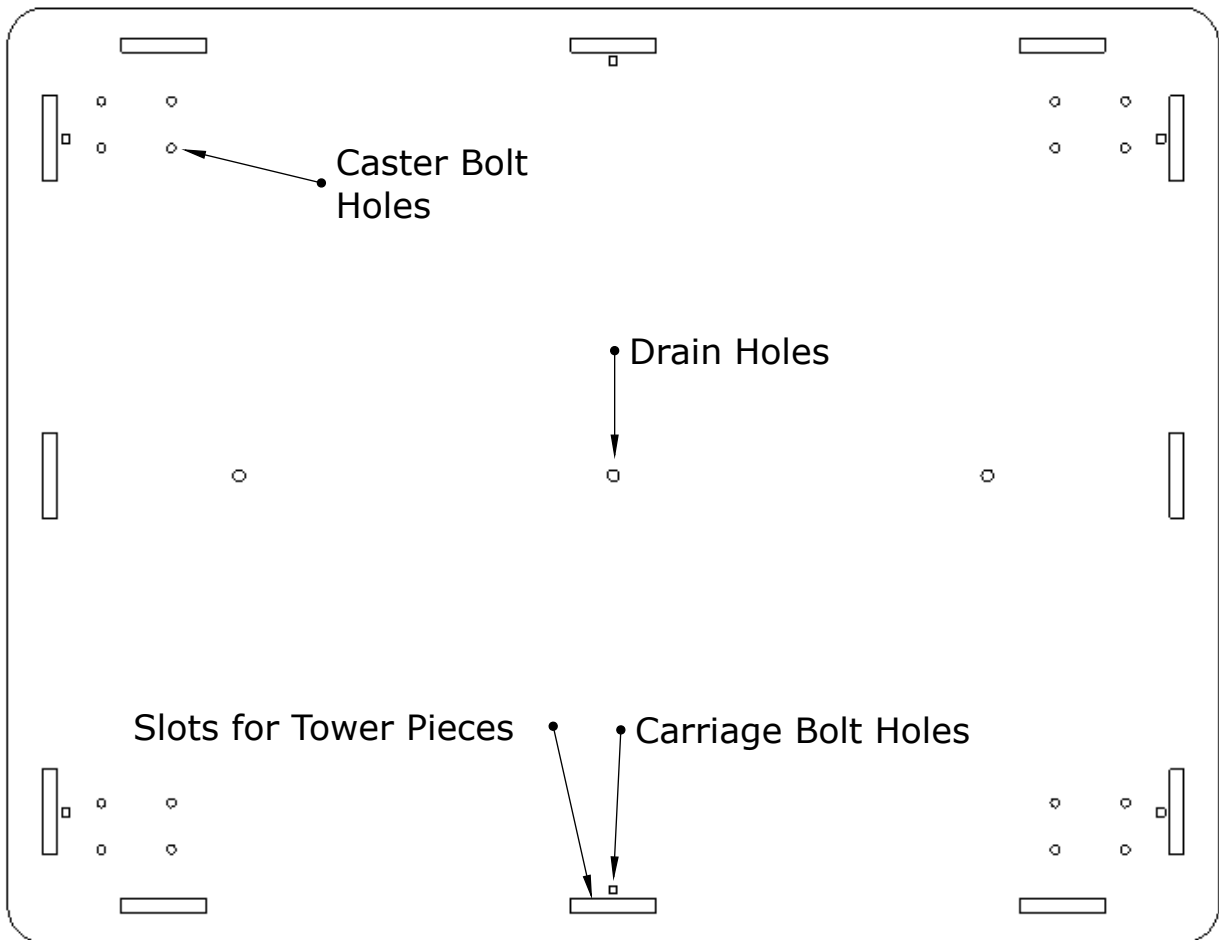
Tower Base



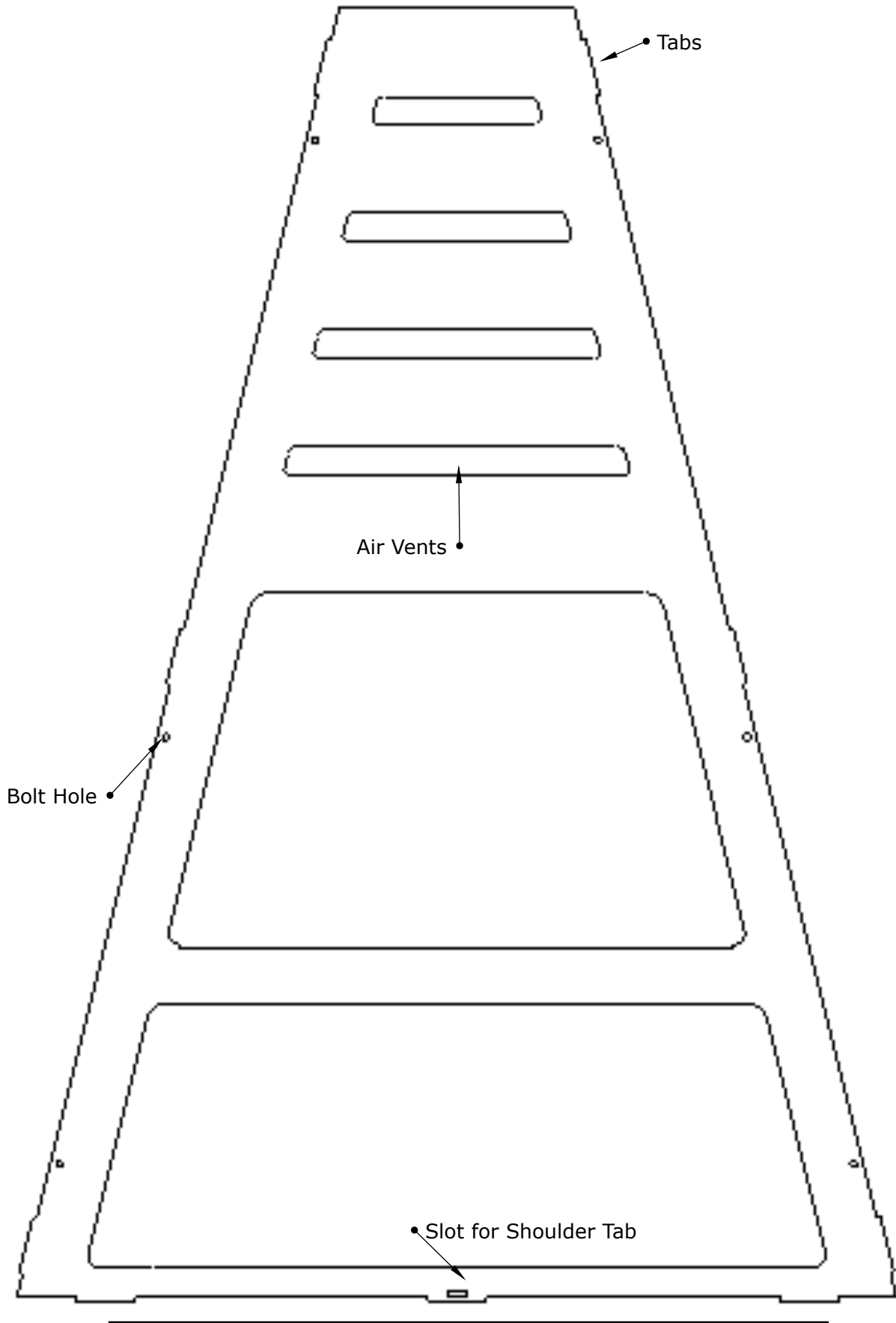
Firewood Basket

# Base Description

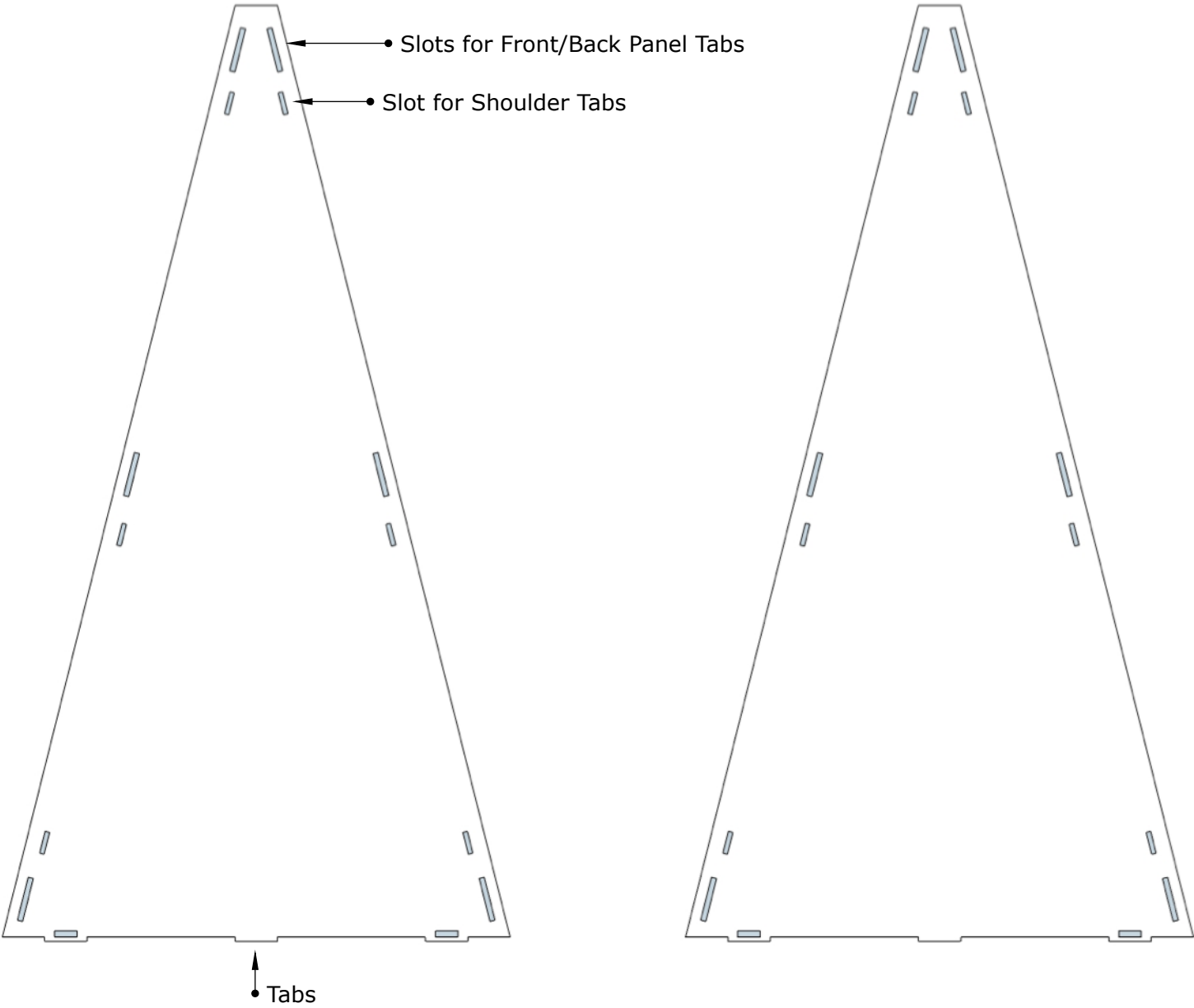
Below is an overview of the various holes and slots on the Monolith Base:



# Tower Front/Rear Description



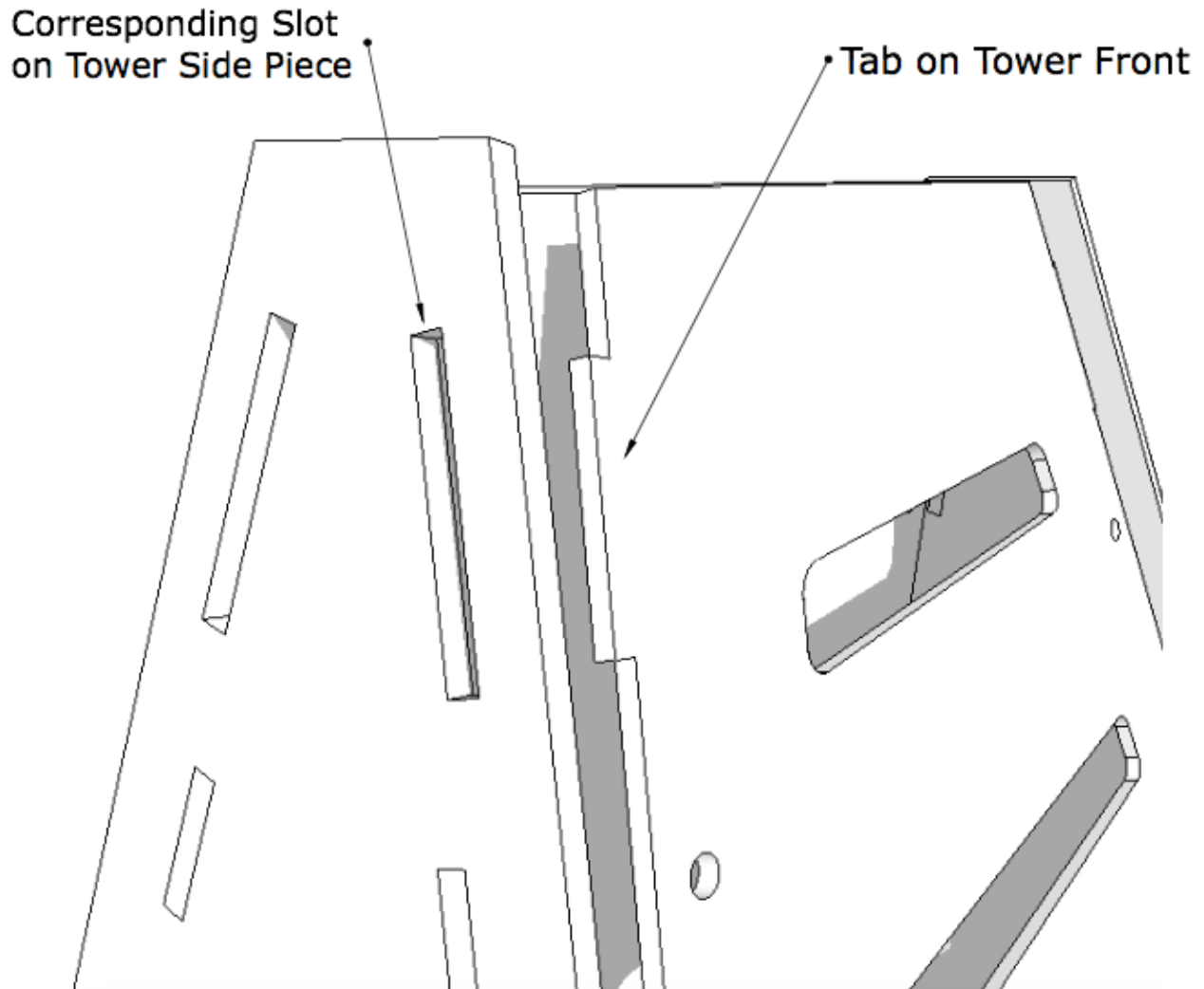
# Tower Side Pieces Description





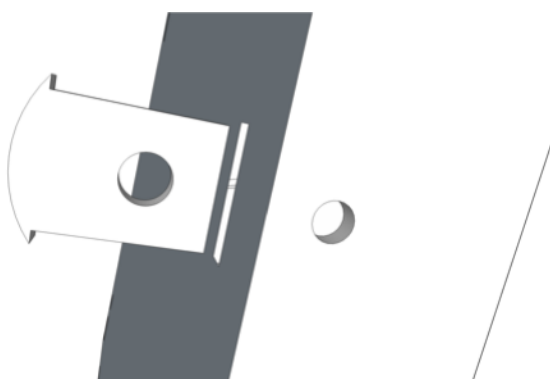
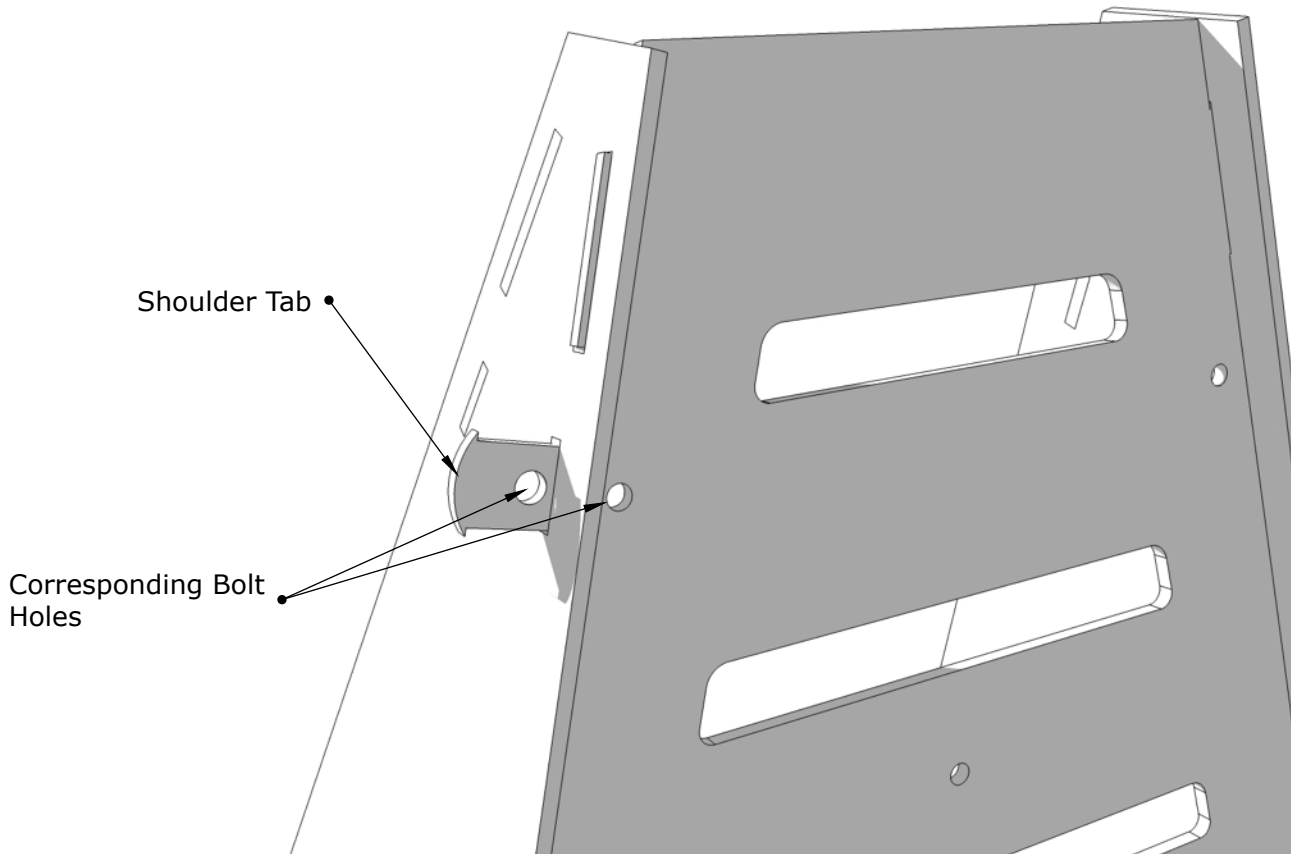
# Tab and Slot Design

The Monolith Tower is designed with a unique tab and slot assembly that will align all of the pieces in position before being secured together with the included hardware.

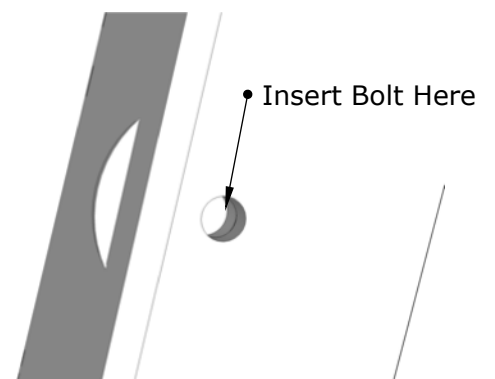


# Shoulder Tabs

The Shoulder Tabs are inserted into the smaller slots on the Tower Side Pieces. The hole in the Shoulder Tab will align with the hole on the Front and Rear Tower Pieces where a bolt is inserted to secure the pieces together.



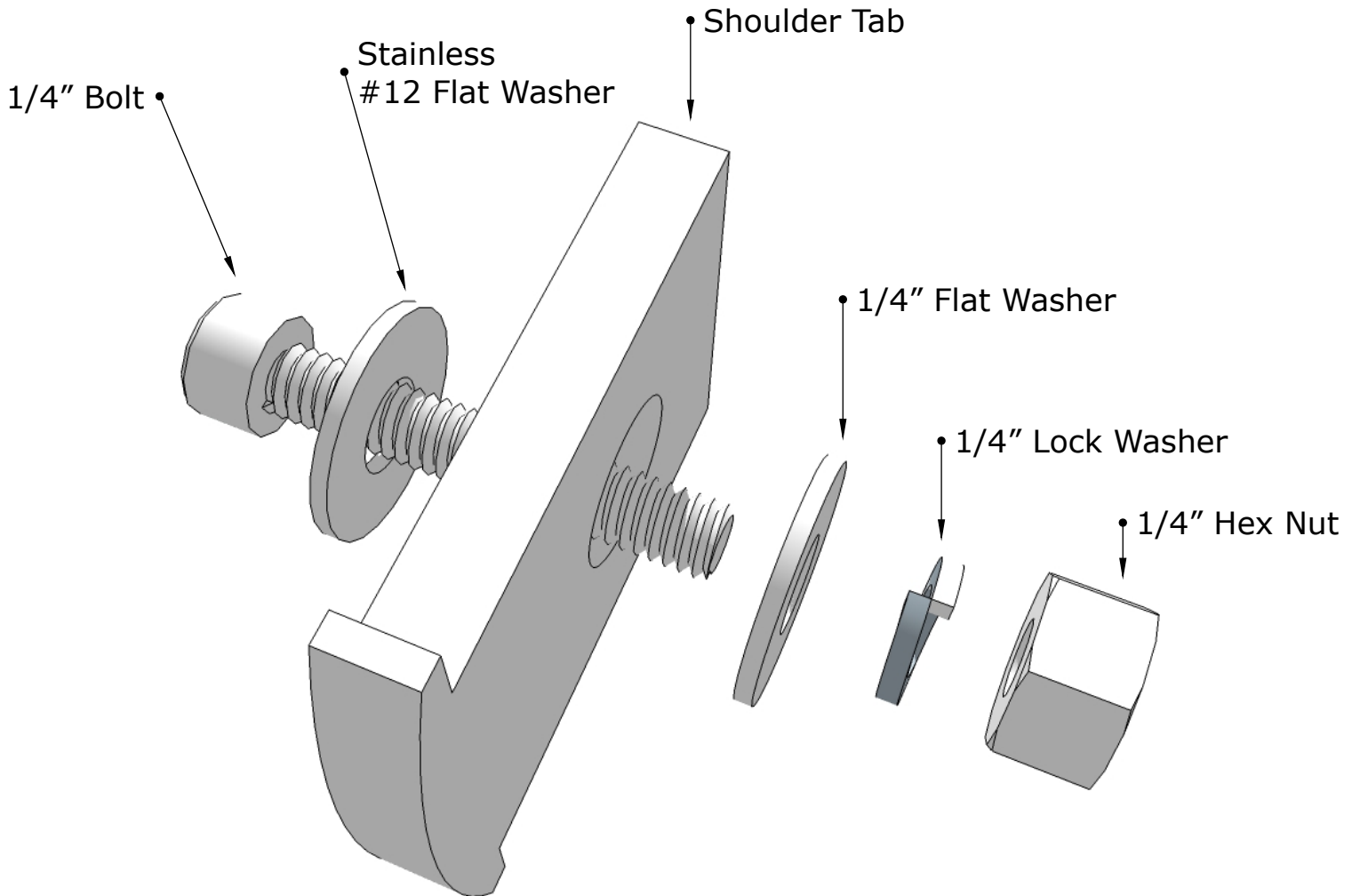
Shoulder Tab Alignment



Shoulder Tab Inserted

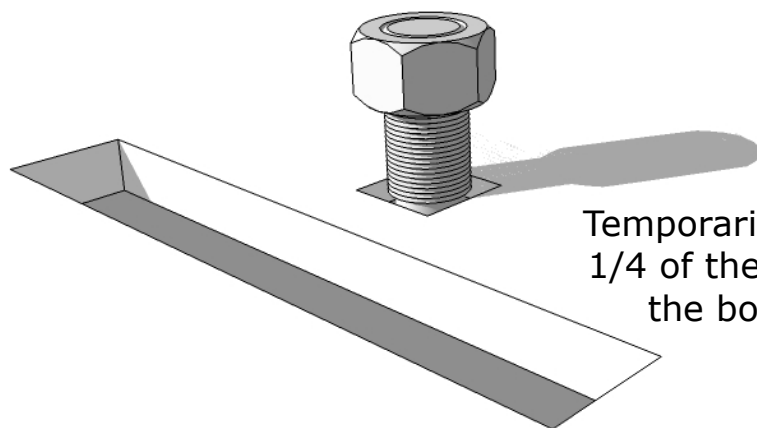
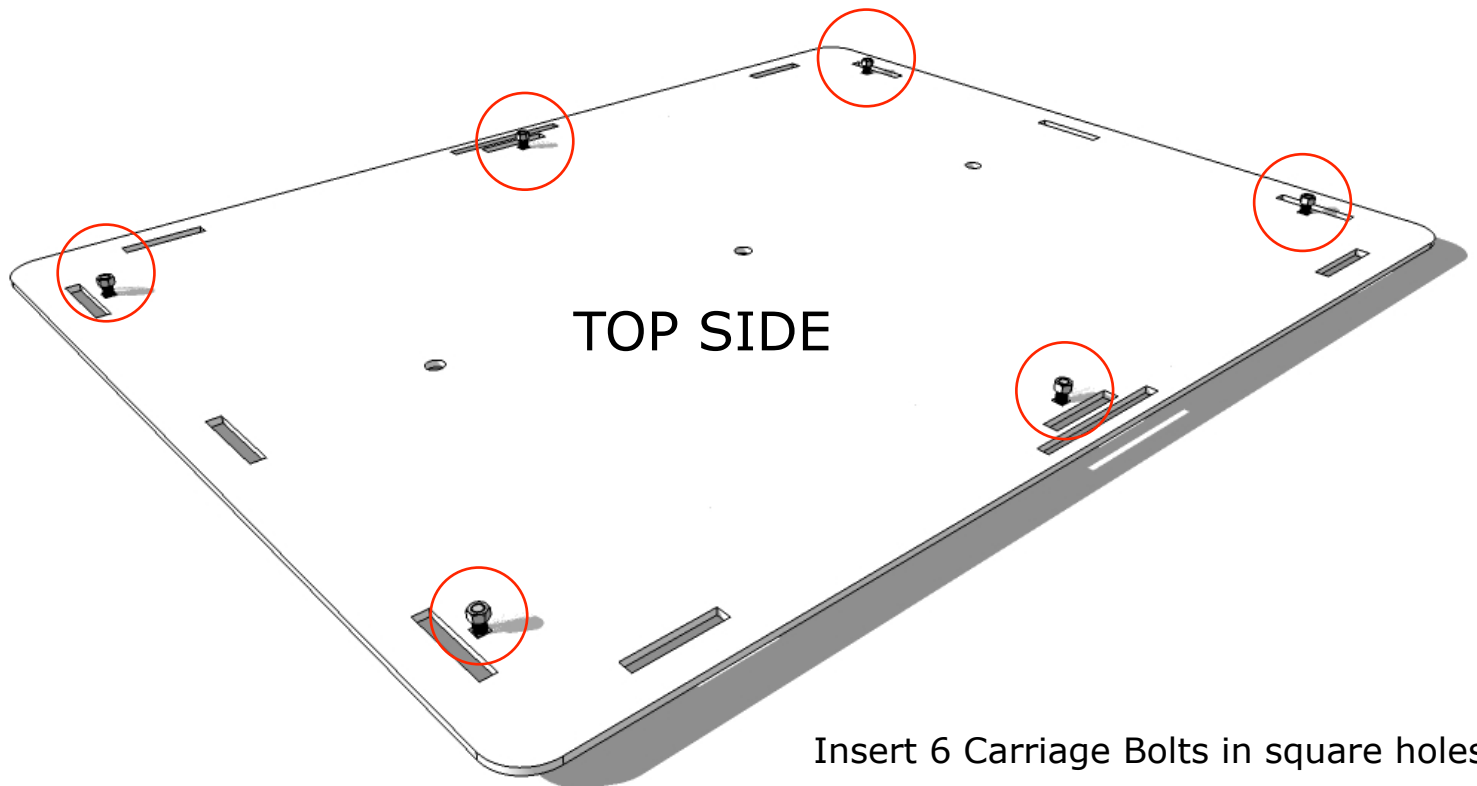
# Bolt Hardware Sequence

Below is a description of the proper assembly sequence to secure the Blaze Tower hardware:



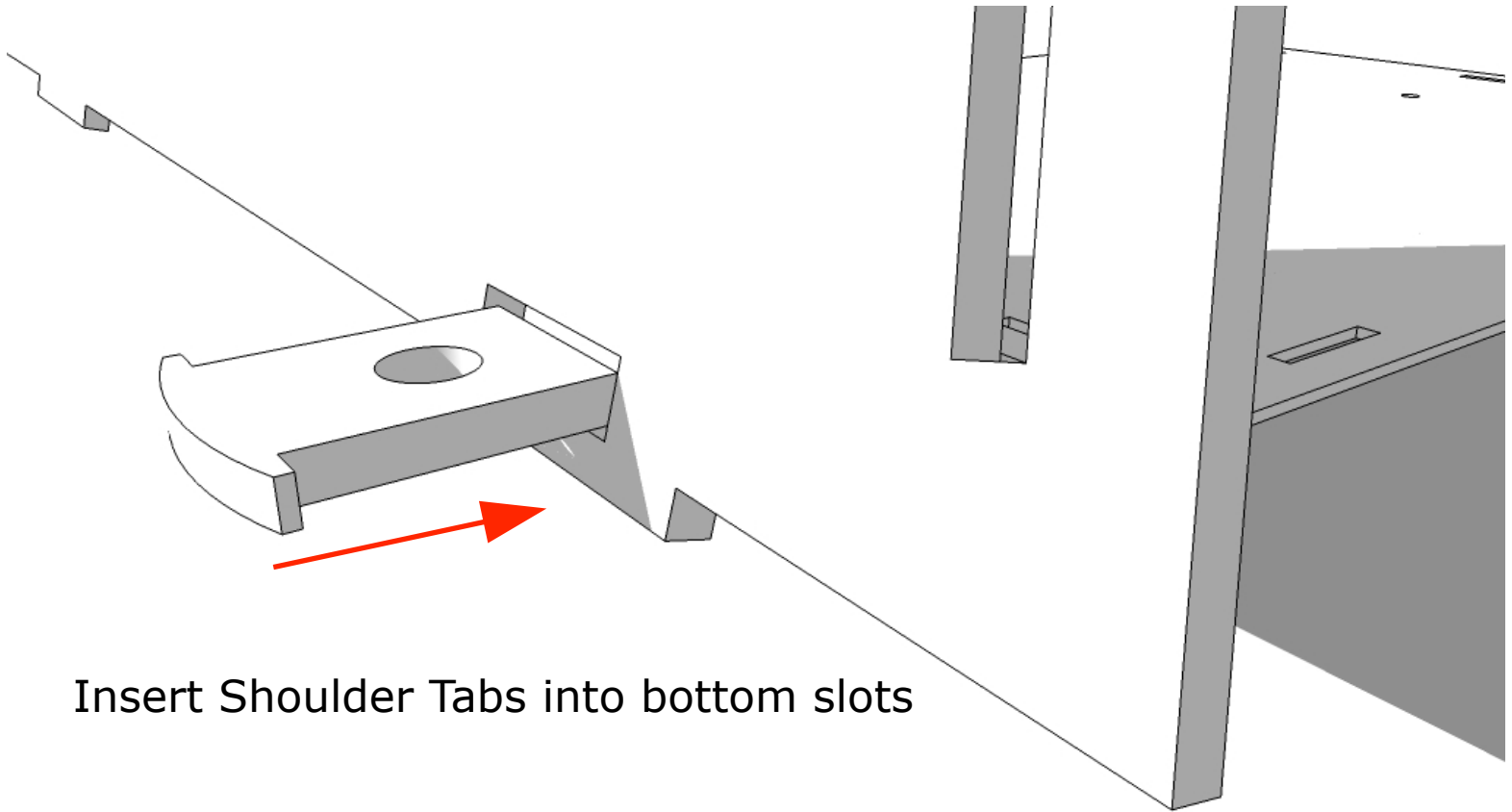
# Base Assembly

There are six carriage bolts that need to be positioned through the bottom of the base prior to assembling the tower. To do so, simply turn the base on its side and slide the carriage bolts through the square holes and thread a hex nut 1/4 of the way down to prevent the bolt from falling through as you tip the base back to the ground. At this point the base should be resting on the carriage bolt heads with the threads sticking up. You can now remove the hex nuts from the carriage bolts and proceed to assembling the Tower.



# Prepare Side Pieces For Assembly

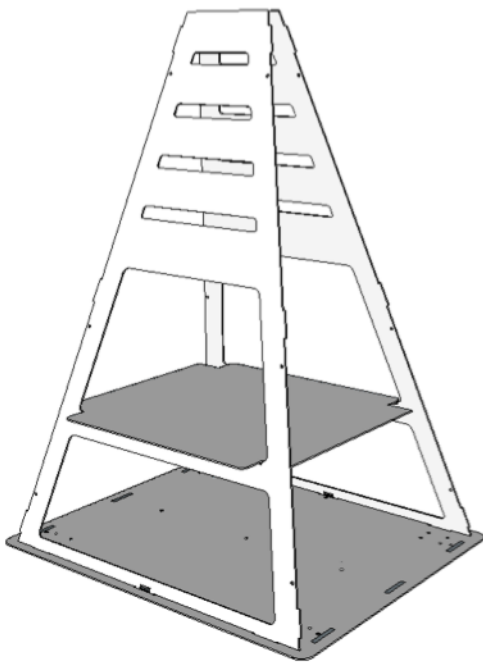
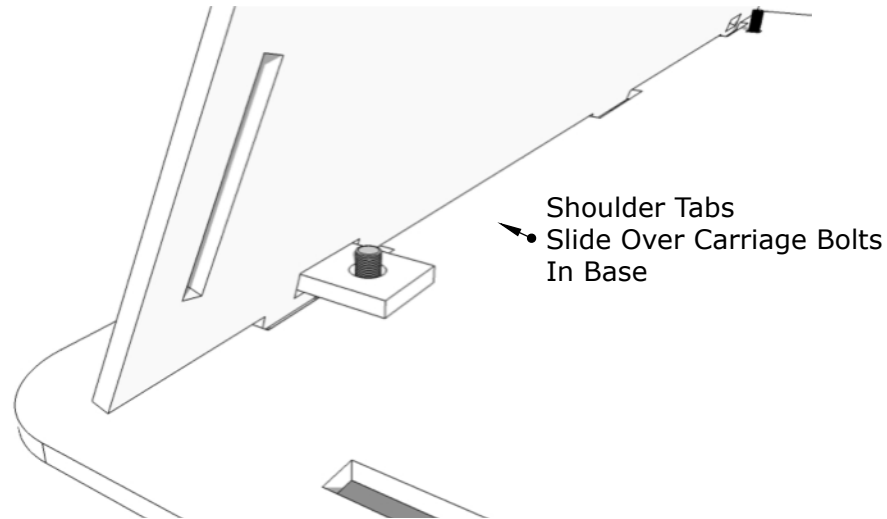
The Shoulder Tabs must be inserted into the bottom slots of the Tower Panels prior to assembly on the Base. Two Shoulder Tabs are used on the Side Panels and one Shoulder Tab is used on the Front and Rear Panels.



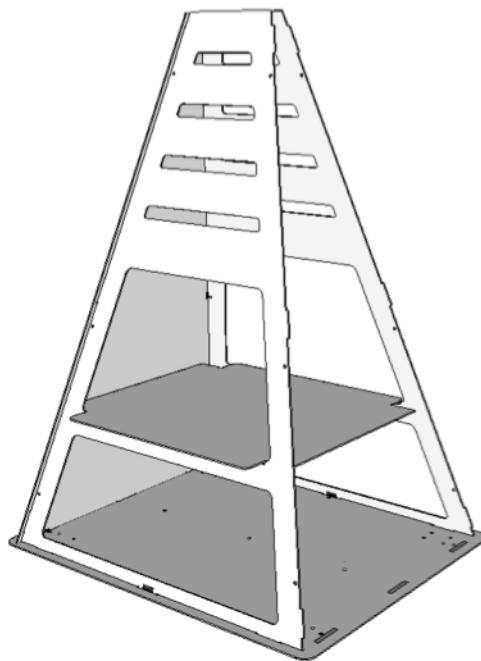
Insert Shoulder Tabs into bottom slots

# Assembly Sequence

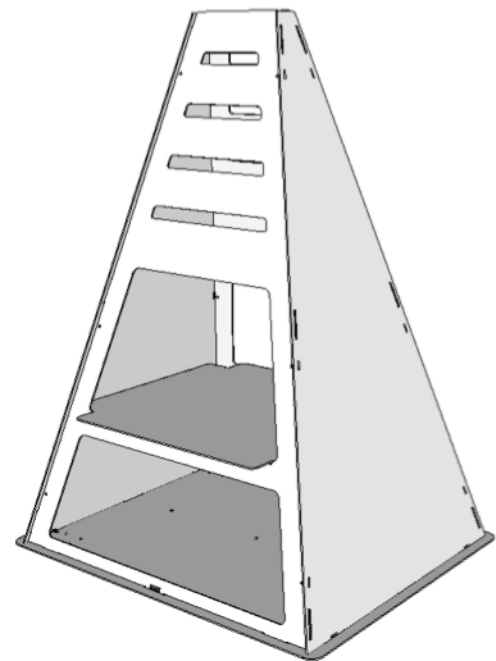
Two people are required for safe and easy assembly. One person can easily hold the pieces in position while the second person aligns the slots and tabs. Once all of the pieces are in position the unit become self-supporting so you can safely and easily secure the pieces with the Shoulder Tabs and hardware.



**1** Position the front and rear panels while the second person holds in place. Position the middle shelf by sliding in through the bottom opening and then angling up until it rests on the bottom of the top chamber opening.



**2** Add the first Side Panel by inserting the Front and Back Panel tabs into the corresponding slots on the Side Panel



**3** Add the last panel by repeating step 2. Verify all panels are aligned with their respective slots and tabs. Insert Shoulder Tabs in the slots on the Side Panels and secure hardware as instructed on Page 7.

# Building a Fire in your Monolith

## Lighting

1. Place a layer of dry kindling or a fire starter onto the center of the Firewood Rack.
2. Place a layer of dry seasoned hardwood on top of the kindling. Do not overload the Firewood Rack by using wood longer than 18". The quality of fire you are able to produce will vary greatly based on the moisture content of the wood.
3. Use a long match or stick lighter to light the kindling or firestarter.
4. If you are using your Monolith Tower near wood decks or flammable objects you must use the optional Firescreen to contain sparks and burning embers. Place the Firescreen on top opening once the kindling or firestarter is lit using gloves or a pot holder.

## Tending the Fire

You may need to shift and/or add logs for the best fire.

### *REMINDERS*

Always wear protective gloves or use a pot holder when tending a fire. Wait until glowing coals have developed before adding any additional wood. Do NOT add gasoline, kerosene, diesel fuel, lighter fluid or alcohol to relight or enhance an existing fire.

1. If in use, carefully remove the Firescreen by using gloves or a pot holder.
2. While using a suitable fire poker, shift coals and logs to allow additional airflow.
3. If additional wood is required, place wood on top of coals. Be careful not to shift ashes.
4. Replace Firescreen by using gloves or a pot holder.

## Extinguishing the Fire

1. Allow the fire to burn itself out. Never leave a lit fire unsupervised.
2. Do NOT use water to extinguish a fire as this is dangerous and can cause damage to the Blaze Tower.

## Clean-up

After the fire has completely extinguished and the Tower has cooled, remove ash and debris using a handheld broom, small scoop shovel, or other suitable tool.

# Caring For Your Monolith

Every part of your Tower was hand-rubbed with an FDA Approved polymerized linseed oil to provide a safe and natural finish to protect the steel from moisture designed to delay the natural rusting process.

If you wish to preserve the look of your Tower's original appearance then it will be necessary to periodically inspect and reapply the oil as it will degrade over time due to UV exposure from the sun. Simply clean your Tower with a dry cloth or warm water if necessary. Allow to dry completely. Use a staining pad or cloth rag to apply a very thin layer of food-safe polymerized linseed oil to all surfaces. Thoroughly buff when done to remove excess oil to prevent a gummy finish.

You may also choose to allow the Tower to age beautifully through the natural Patina process. Patina is a natural weathering process which occurs when metal is exposed to oxygen and moisture that will gradually change bare steel from a bluish gray color to a dark reddish brown. This natural process varies the appearance of each piece making every Blaze unique.

## Patina vs. Rust

This is a bit like geometry where a square is a rectangle but a rectangle is not a square. It's true that rust is a part of the patina process but whereas rust has a well-deserved negative connotation a mature patina is actually a natural protective coating that will preserve the integrity of the underlying metal.

The Monolith is constructed from 3/16" plate steel that is three to five times thicker than grills and fire pits from other manufacturers. The surface rust that forms in the early stages of the patina process will not rust through the thicker steel of the Blaze as it will on thinner metal and will gradually convert into an aesthetically pleasing protective shell that will last for decades.

One thing to note is that water runoff during the early stages of the patina process can stain wood, concrete, or other light colored surfaces so keep that in mind when selecting the location for your Tower.

Thank you for your purchase. Enjoy your Tower and always BE SAFE!