



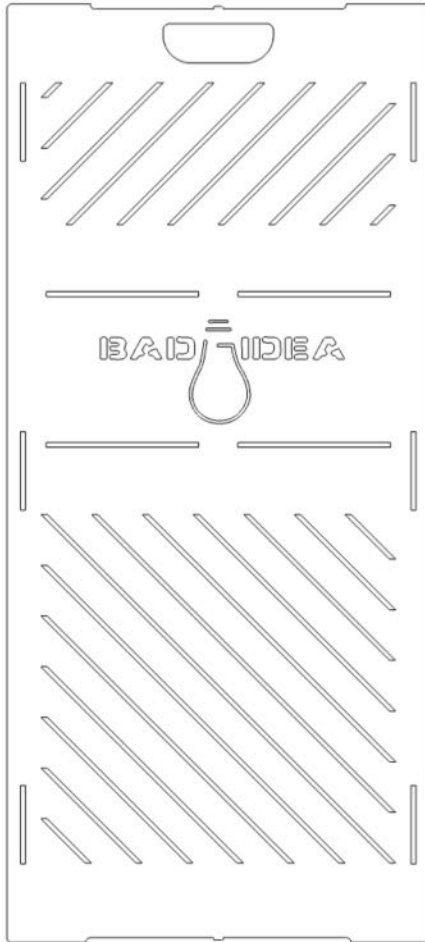
## Pyro Burn Cage Assembly

[www.ProudPyro.com](http://www.ProudPyro.com)  
[info@ProudPyro.com](mailto:info@ProudPyro.com)

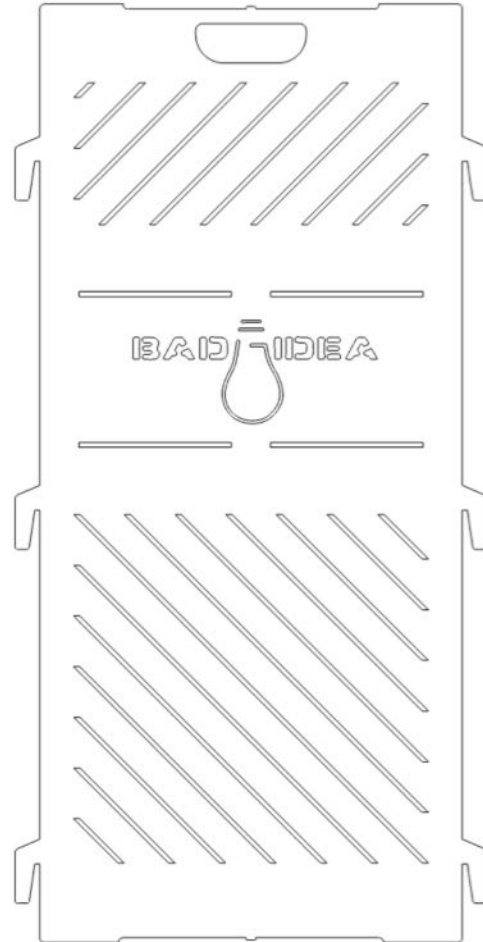


# Parts List

Your Pyro Burn Cage is constructed from 14 gauge steel and requires two boxes for safe shipping because of the size and weight of the pieces. Below you will find a description of the parts contained in each box.



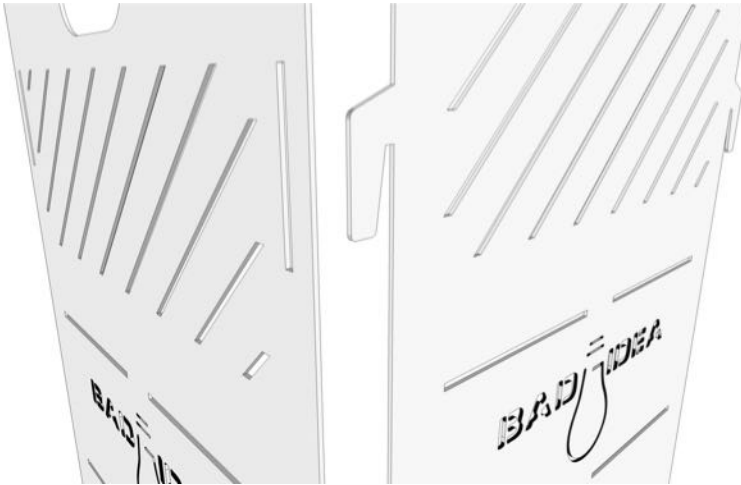
Qty. 2 Slotted Panels



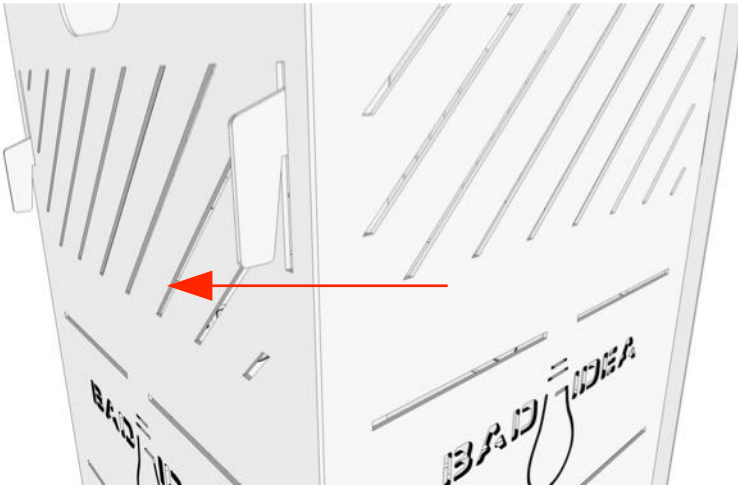
Qty. 2 Tab Panels

Optional: If purchased, the Lid and Riser Base will ship inside these boxes.

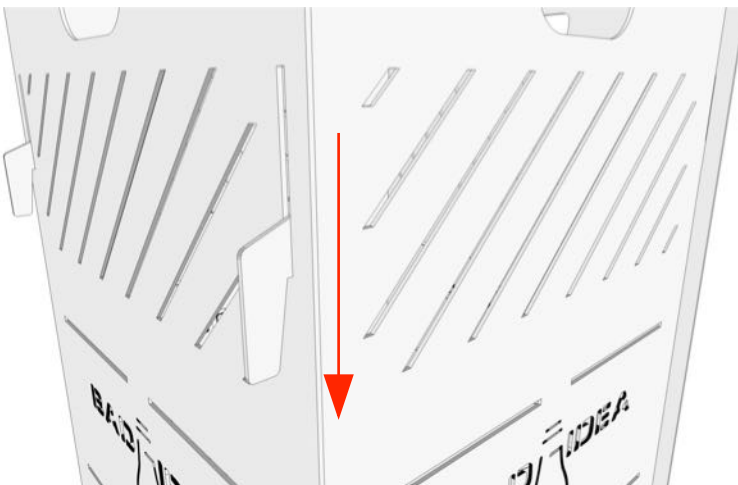
# Tab and Slot Assembly



Position the tab and slot panels perpendicular to one another and align the tab and slot



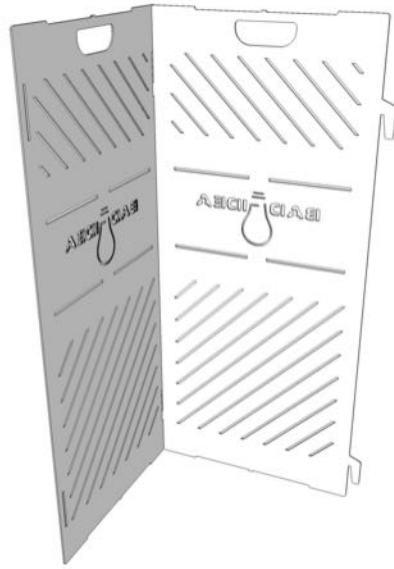
Slide the tabs through the slots



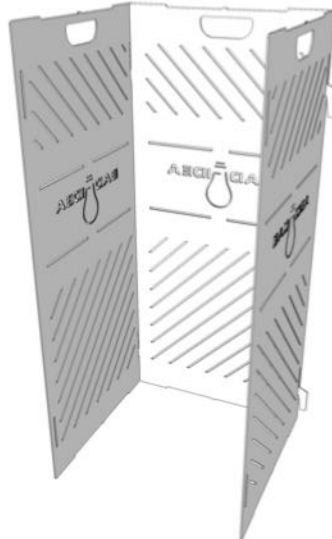
Slide the tabbed panel down into the slot locking the two panels securely together.

# Panel Assembly Order

1



2

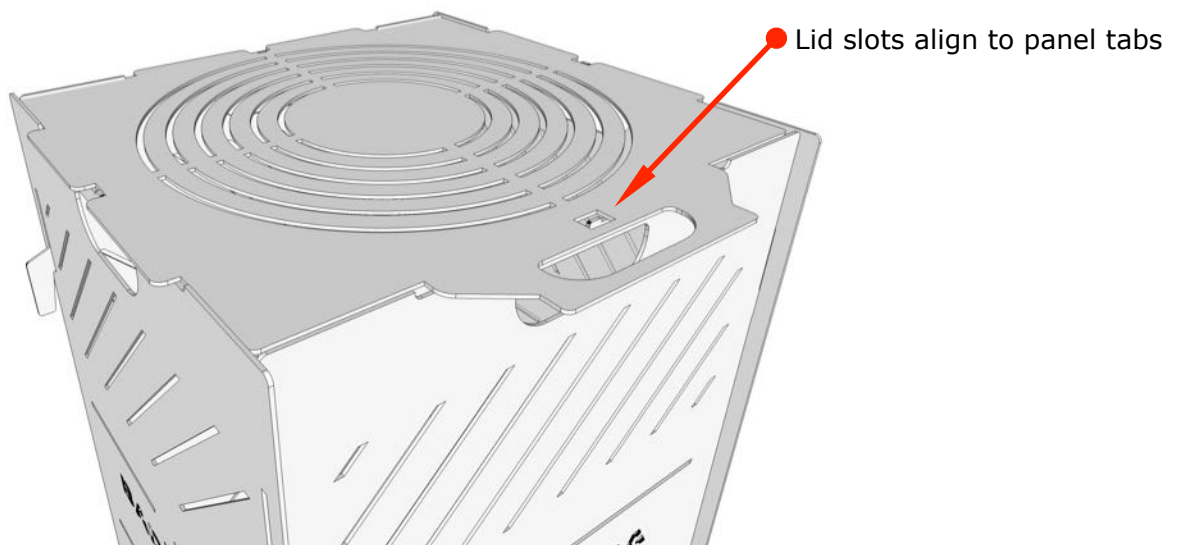
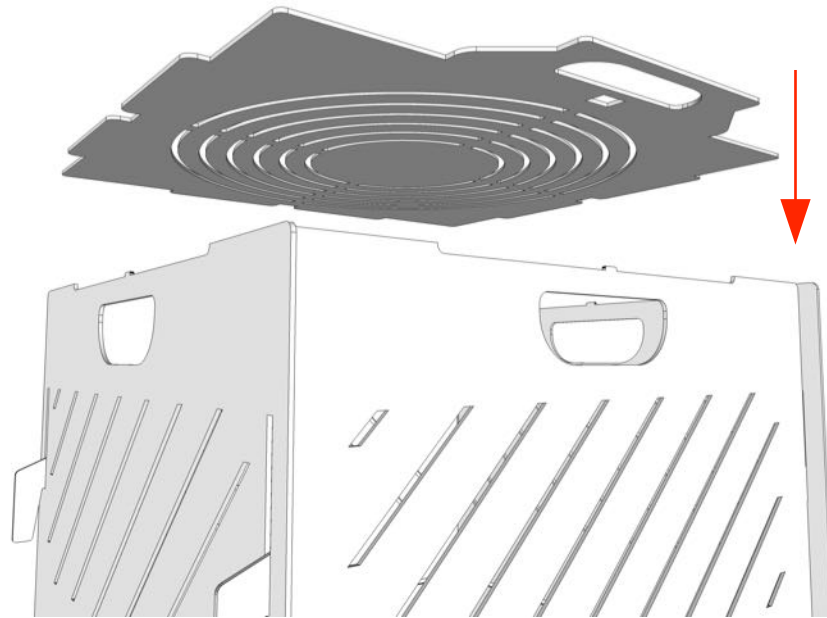


3



# Installing the Lid

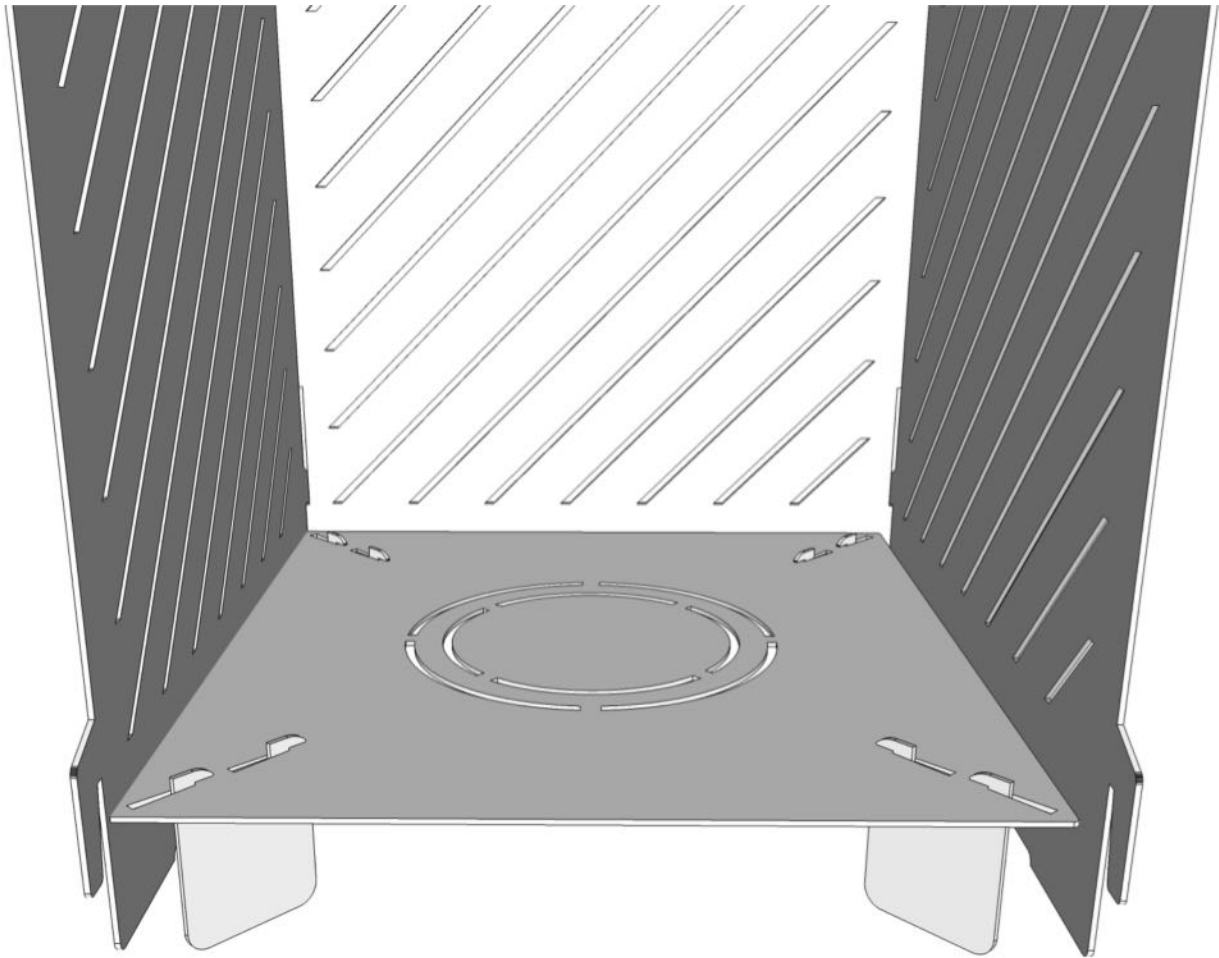
The Burn Cage Lid is designed to contain burning debris and embers while in use. The lid becomes extremely hot while burning - use protective gloves or wait until the unit fully cools before handling.



# Optional Riser Base

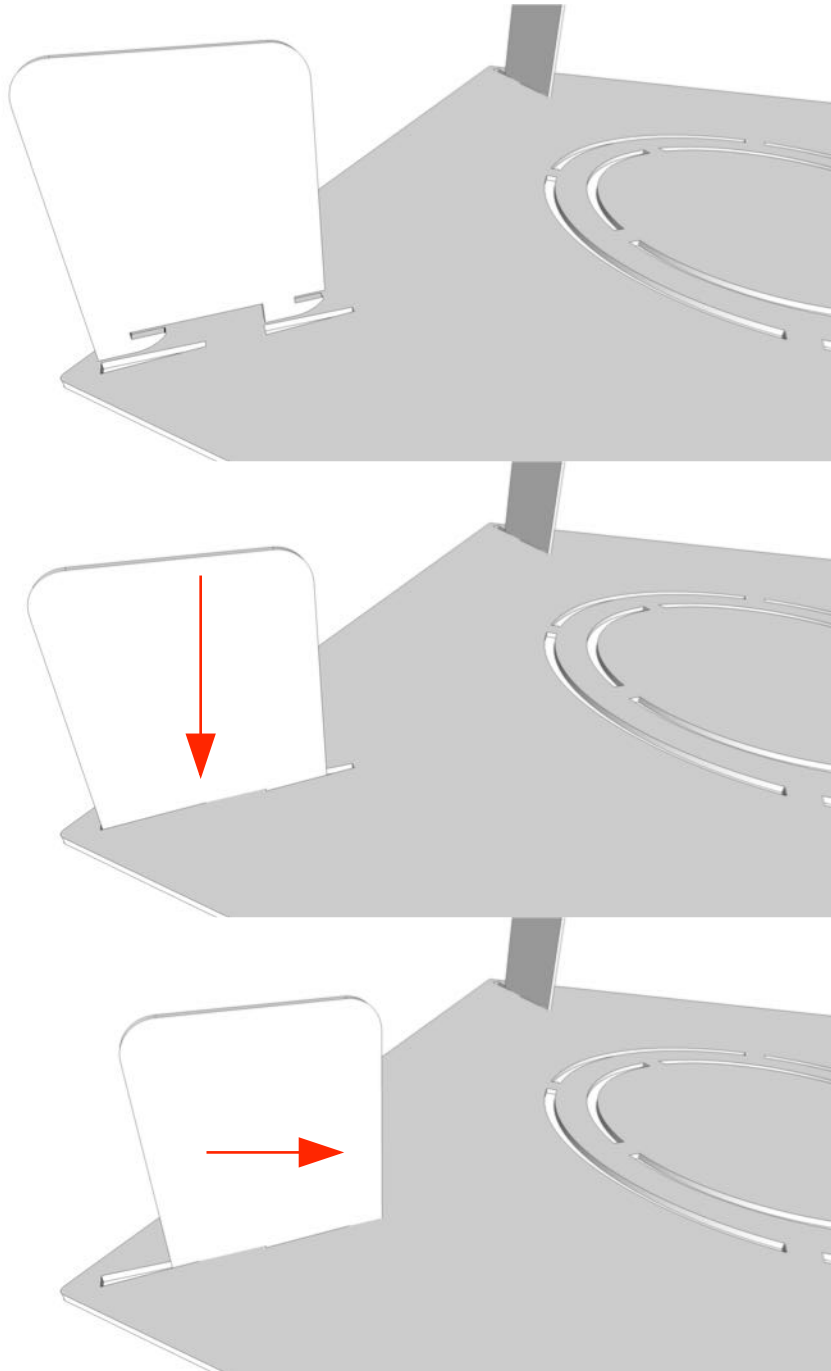
The optional riser base for the Burn Cage promotes airflow for hotter flames and more thorough burns. Once assembled, it simply sets inside the burn cage prior to installing the final panel.

If you wish to order a Riser Base for your Burn Cage you can find them at [www.proudpyro.com/products/burn-cage-riser-with-feet](http://www.proudpyro.com/products/burn-cage-riser-with-feet)



# Installing Riser Feet

The set of 4 riser feet use a tab and slot design to allow the feet to secure to the riser base. By design, they are a little loose to make removing the feet for storage easier once debris builds up on the Riser Base. Once installed inside the Burn Cage, the Riser Base is captured on all four sides and it is impossible for the feet to come out. If you wish to lock them in place you can use a hammer to strike the top of the hooks so that they "bite" into the Riser Base.



# Caring For Your Burn Cage

Every part of your Burn Cage was hand-rubbed with an FDA Approved polymerized linseed oil to provide a safe and natural finish to protect the steel from moisture designed to delay the natural rusting process.

If you wish to preserve the look of your product's original appearance then it will be necessary to periodically inspect and reapply the oil as it will degrade over time due to UV exposure from the sun. Simply clean your product with a dry cloth or warm water if necessary. Allow to dry completely. Use a staining pad or cloth rag to apply a very thin layer of linseed oil to all surfaces. Thoroughly buff when done to remove excess oil to prevent a gummy finish.

You may also choose to allow the metal to age beautifully through the natural Patina process. Patina is a weathering process which occurs when metal is exposed to oxygen and moisture that will gradually change bare steel from a bluish gray color to a dark reddish brown. This natural process varies the appearance of each piece making every metal piece unique.

## Extending The Service Life Of Your Burn Cage

With proper care and basic maintenance your Burn Cage will provide years of trouble-free service. There is one critical thing to do to prevent premature failure of your Burn Cage. The panels are designed to shed water and dry quickly to prevent rust from eating through the steel over time. It is important not to allow ash to build up at the base of the unit and become wet. Ash will hold moisture like a sponge and if allowed to build up at the base of the Burn Cage will lead to early failure of the steel. This is not covered under warranty. To prevent this from happening, periodically remove the ash from inside the burn cage. We also offer optional covers that will add an additional layer of protection.

Leaving your Burn Cage in direct contact with soil can also cause the same problem. We recommend placing the Burn Cage on top of a gravel, stone, or paver base to extend the service life of your unit.