

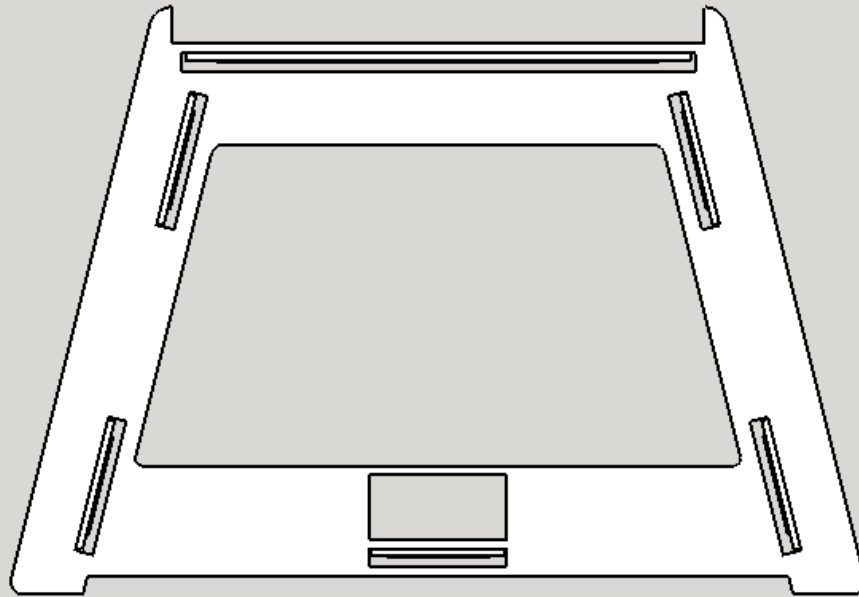
## Bench and Table Kit Assembly

[www.ProudPyro.com](http://www.ProudPyro.com)  
[info@ProudPyro.com](mailto:info@ProudPyro.com)

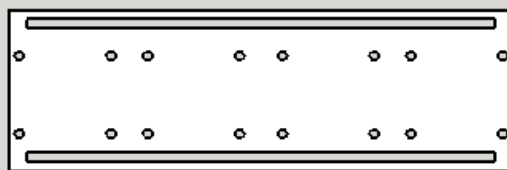


# Parts List

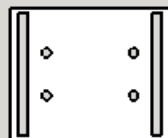
Your Bench Kit is precision cut from 3/16" American Steel. We recommend using 1" pan head wood screws suitable for the type of wood you choose to use with your Bench Kit. You can make the bench any length you wish depending on the length of boards you use. The Bench Kit uses 14" pieces of wood for the leg trim pieces. Table kits use 28" pieces for the leg trim.



Qty. 4 Bench Panels



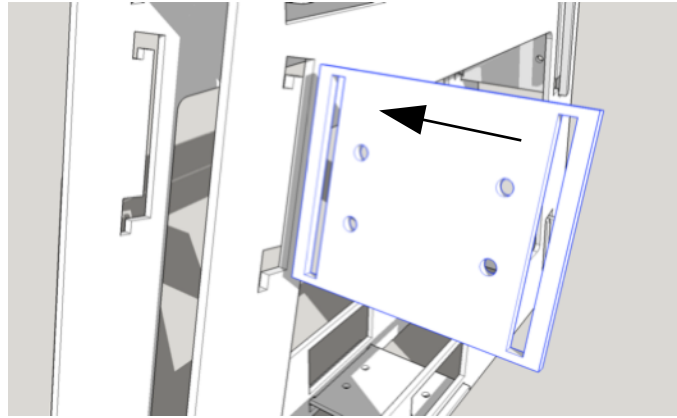
Qty. 2 Long Brackets



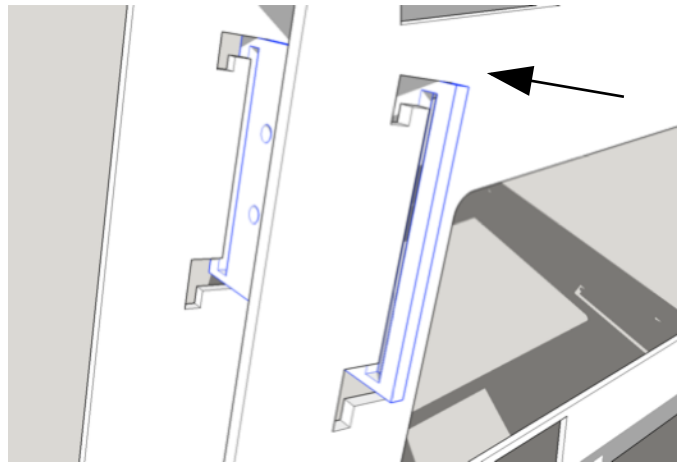
Qty. 10 Short Brackets

# Tab and Slot Assembly

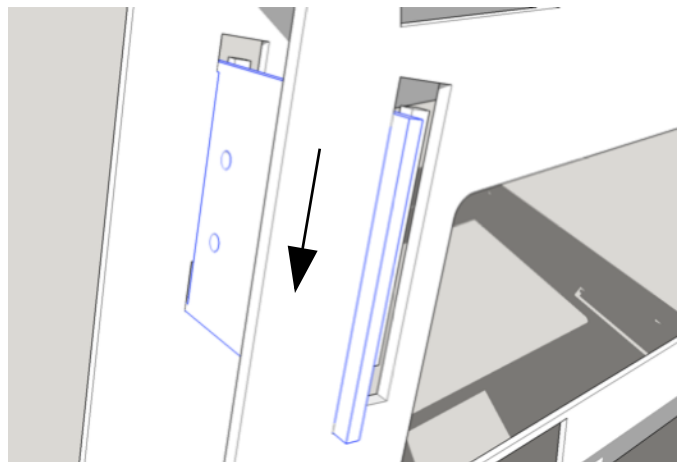
Slide plates behind  
bracket hooks in panels.



Slide plates over hooks

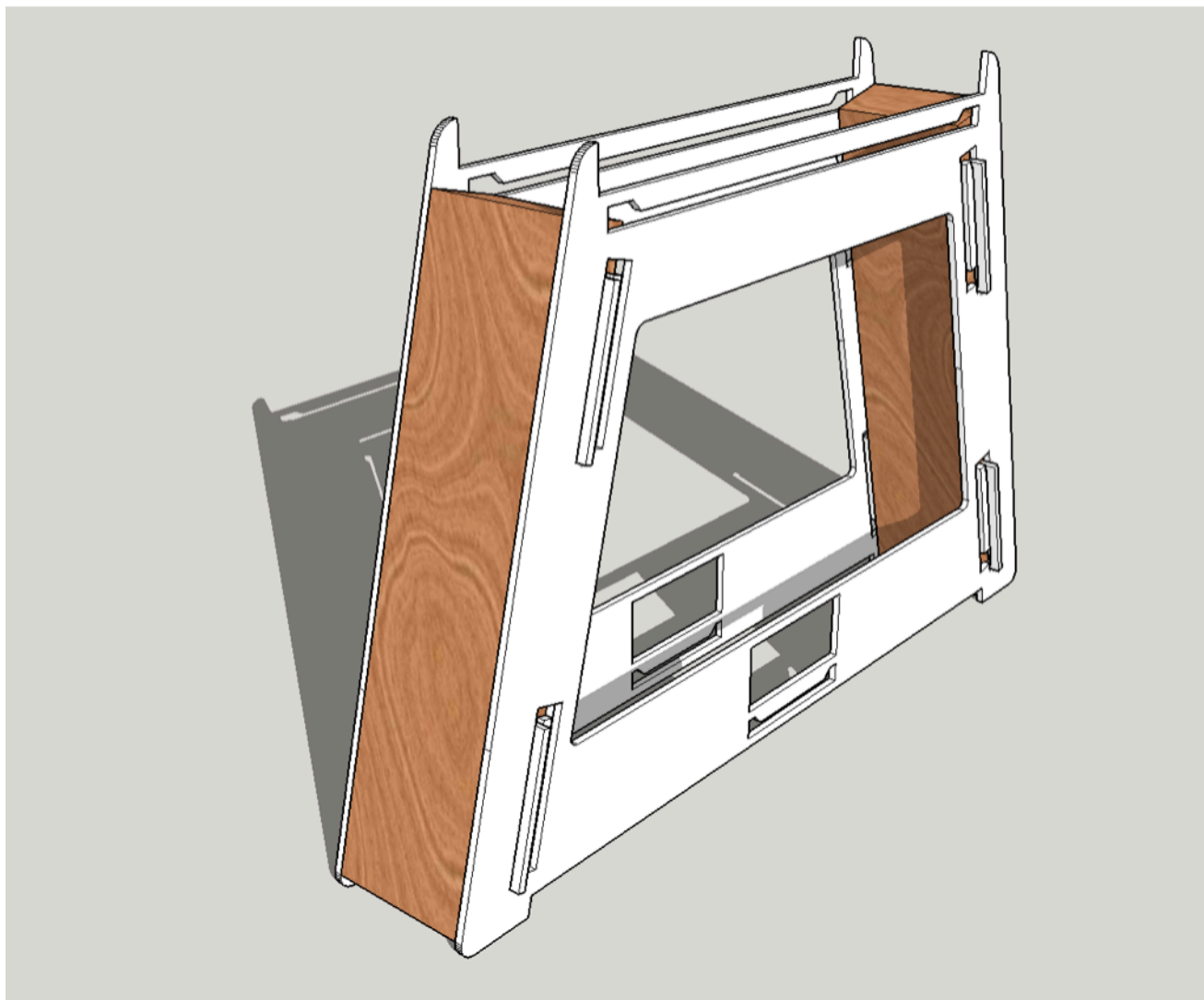


Push plates down to  
lock into position.  
Repeat process on  
remaining brackets.



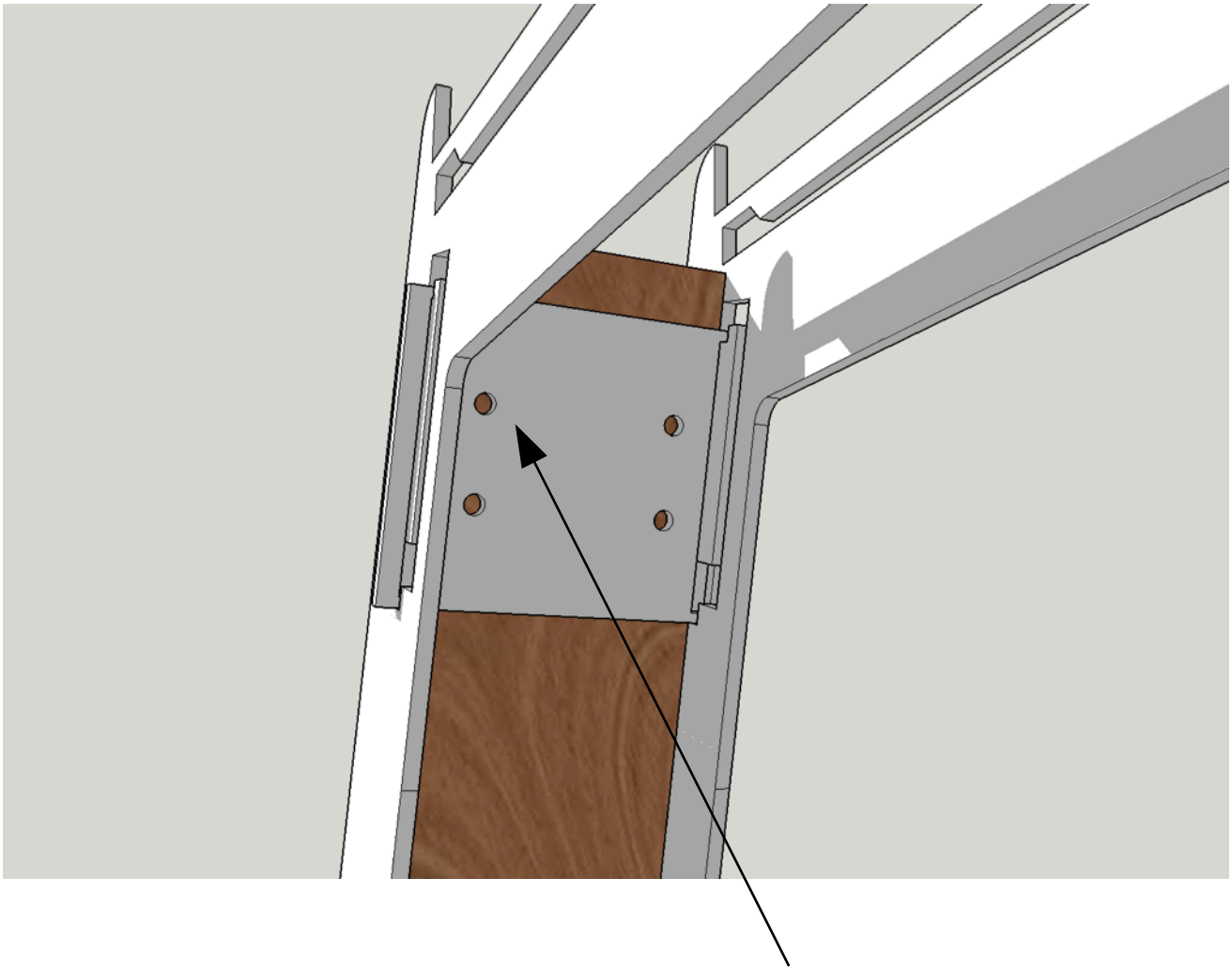
# Insert Leg Trim Pieces

Insert your 14" (28" for table kits) wood pieces between the metal panels. It may be necessary to use a hammer to negotiate the wood into position or even use a saw to trim the wood for a snug fit. Don't worry if it is a tight fit - the outward pressure of the lumber helps to make the brackets sturdy. If the lumber is too loose the brackets can wiggle once assembled.



# Attach Leg Trim Pieces

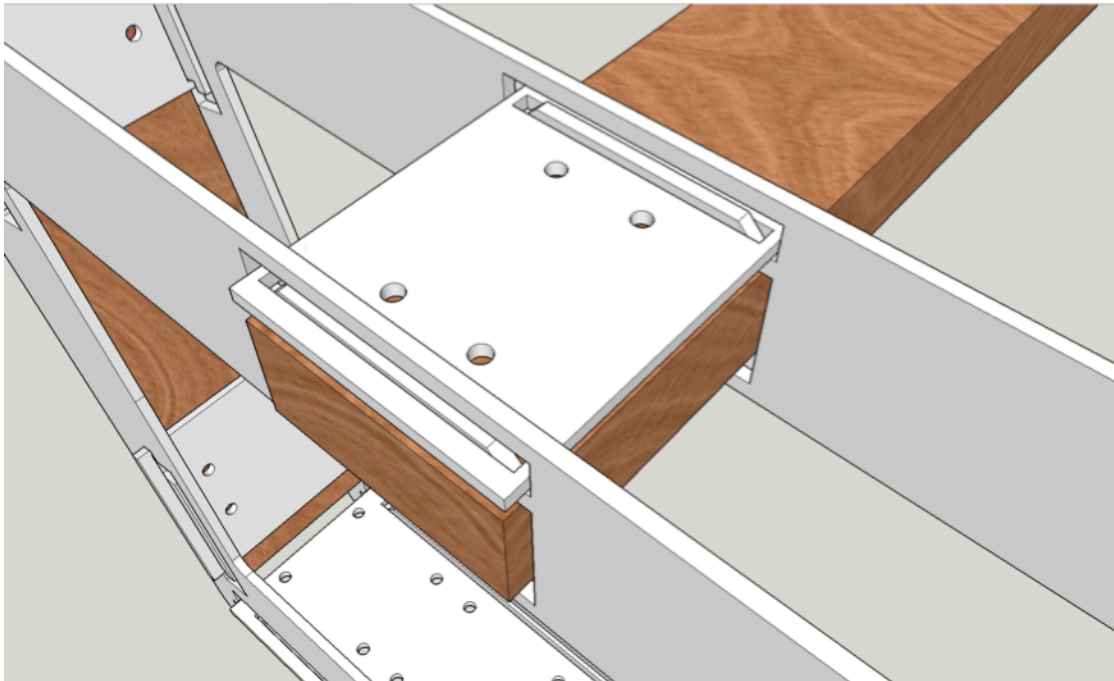
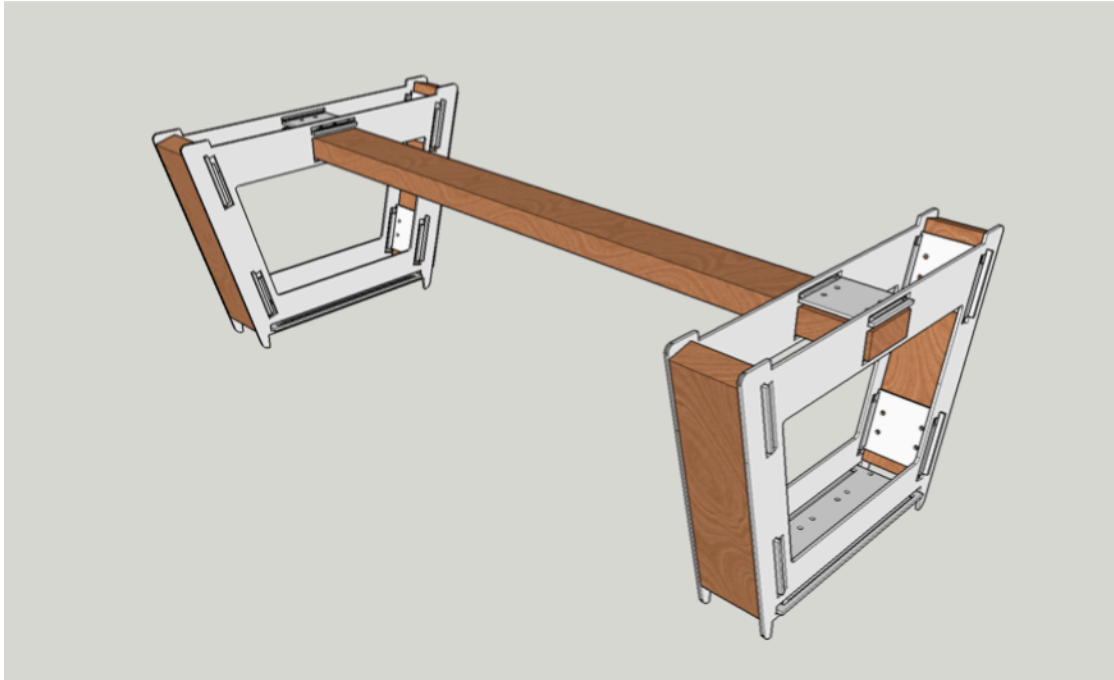
Use 1" wood screws to attach the wood trim pieces to the bracket.



Use 4 wood screws to attach board

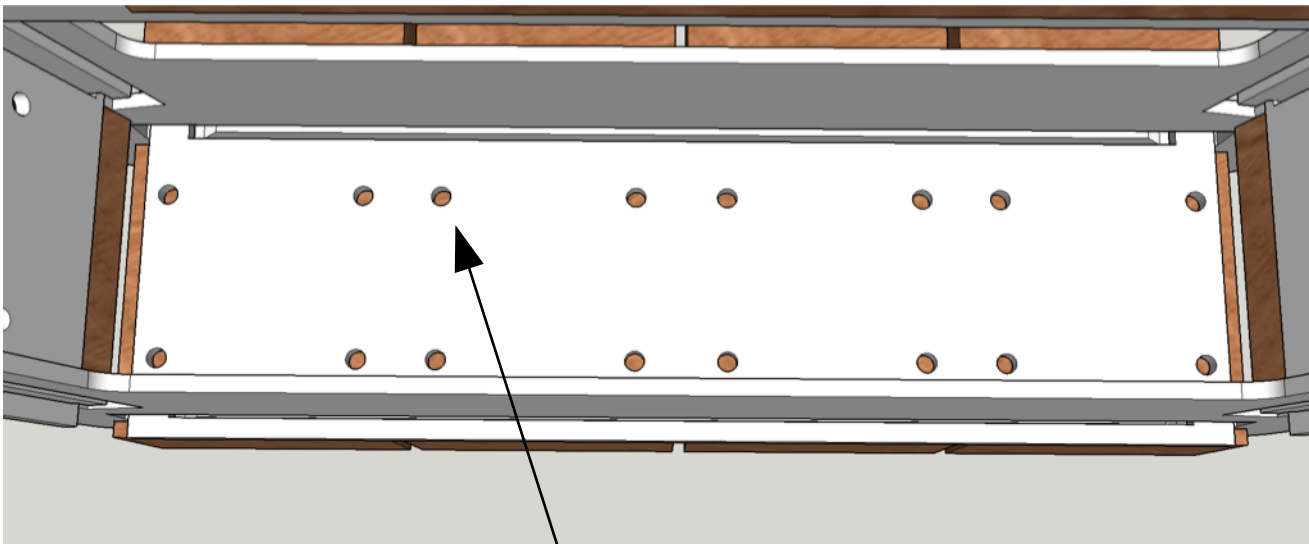
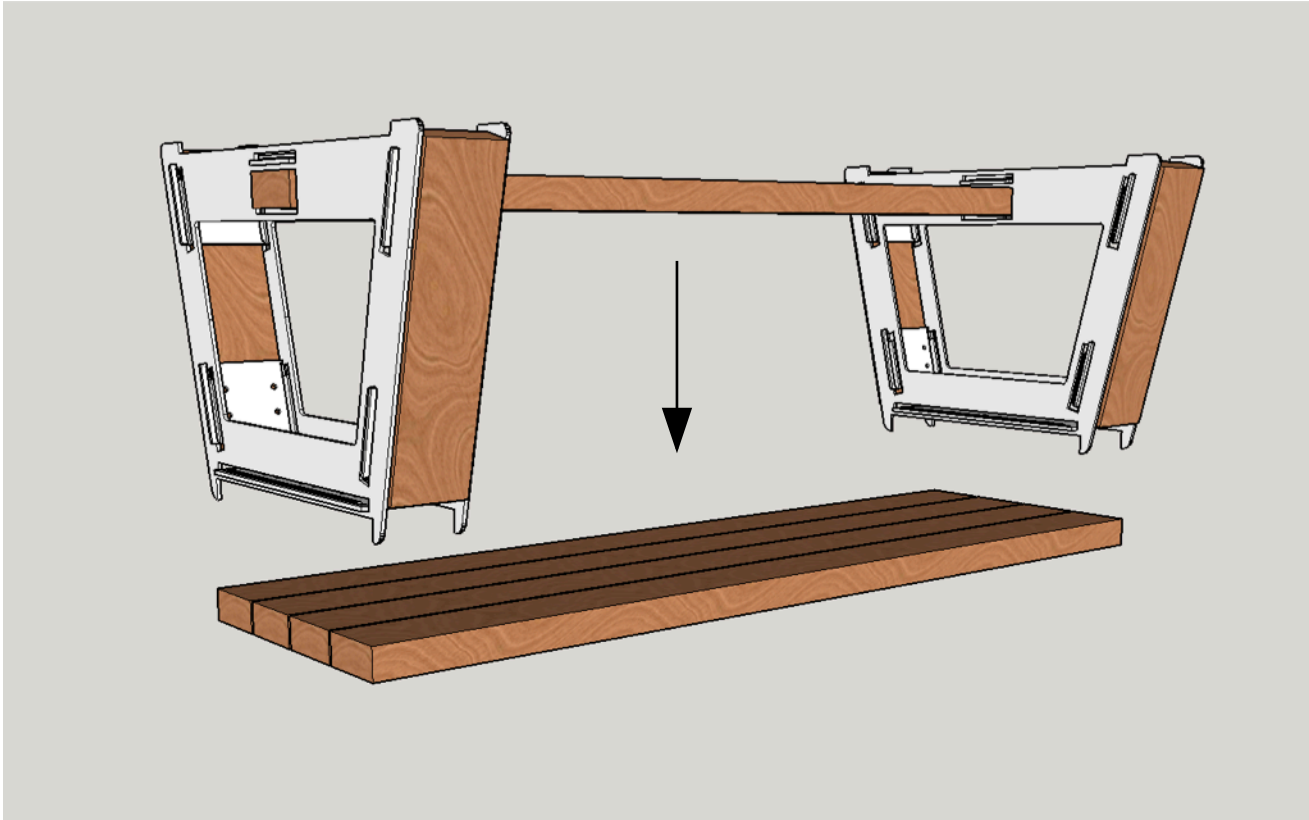
# Attach Bottom Support Board

Flip the brackets upside down. Use 1" wood screws to attach the bottom support board to the brackets.



# Attach Top Boards

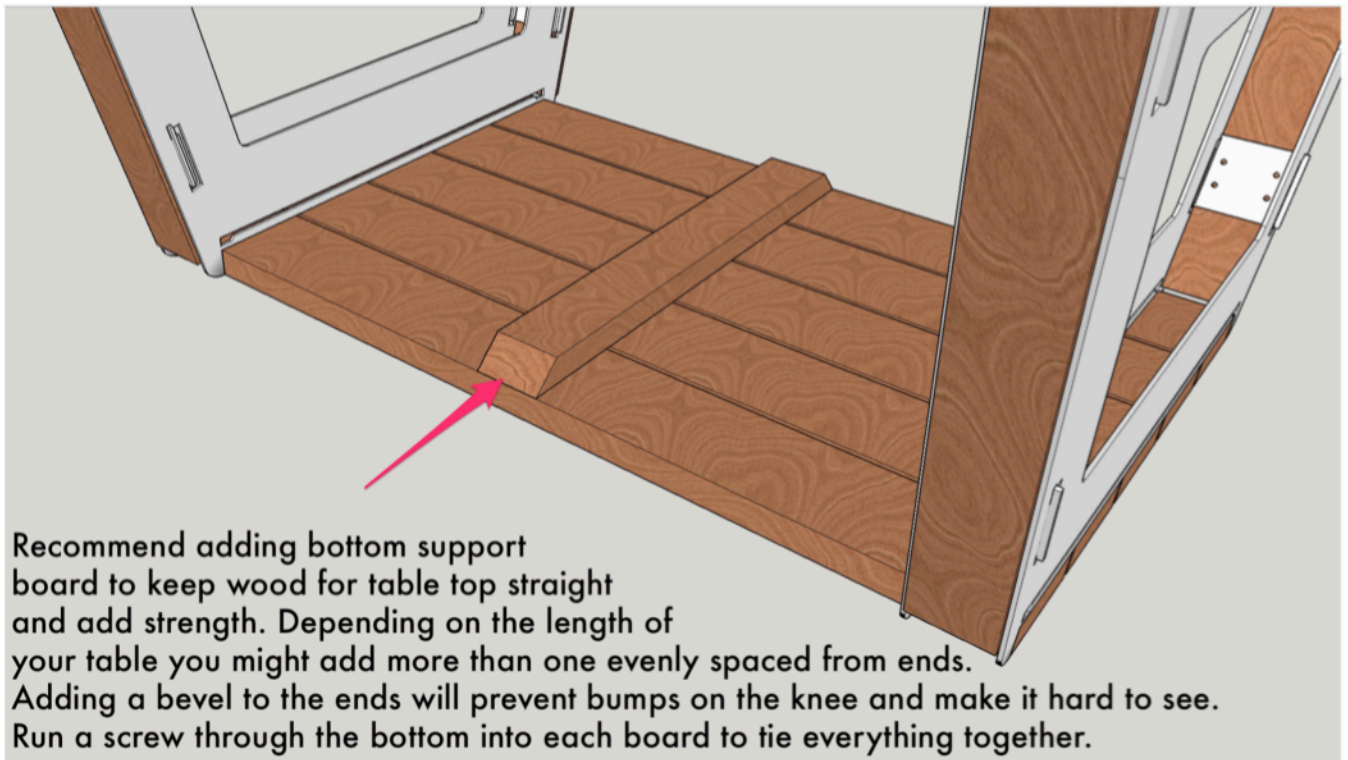
Position the top boards on a flat and level surface. Make sure the ends are lined up and everything is square. Place the Brackets on top.



Attach the boards to the bracket using 1" wood screws.

# Support Boards

All Table Kits and Bench Kits that exceed 3' in length can benefit greatly by adding perpendicular support boards to the underside. This will stiffen the top and help to make all of the boards flat and level. Use 2-1/2" wood screws on the underside to hide the installation.



Recommend adding bottom support board to keep wood for table top straight and add strength. Depending on the length of your table you might add more than one evenly spaced from ends. Adding a bevel to the ends will prevent bumps on the knee and make it hard to see. Run a screw through the bottom into each board to tie everything together.



# Caring For Your Furniture Kit

Every part of your DIY Kit was hand-rubbed with an FDA Approved polymerized linseed oil to provide a safe and natural finish to protect the steel from moisture designed to delay the natural rusting process.

If you wish to preserve the look of your product's original appearance then it will be necessary to periodically inspect and reapply the oil as it will degrade over time due to UV exposure from the sun. Simply clean your product with a dry cloth or warm water if necessary. Allow to dry completely. Use a staining pad or cloth rag to apply a very thin layer of linseed oil to all surfaces. Thoroughly buff when done to remove excess oil to prevent a gummy finish.

You may also choose to allow the metal to age beautifully through the natural Patina process. Patina is a weathering process which occurs when metal is exposed to oxygen and moisture that will gradually change bare steel from a bluish gray color to a dark reddish brown. This natural process varies the appearance of each piece making every metal piece unique.