

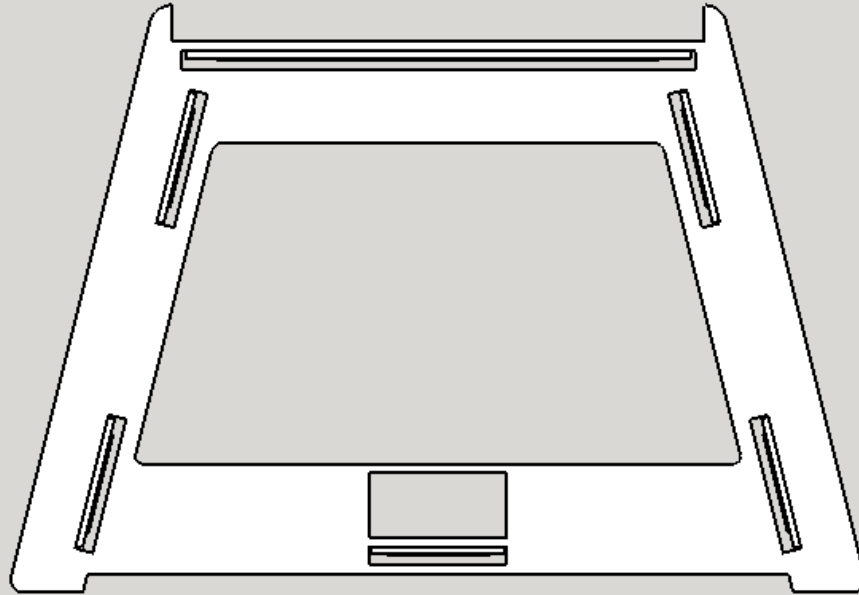
Bench Kit Assembly

www.blazetower.com
www.badideasupply.com
fixit@badideasupply.com

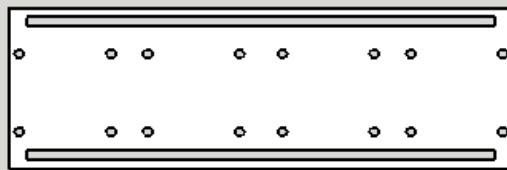


Parts List

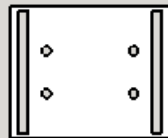
Your Bench Kit is precision cut from 3/16" American Steel. We recommend using 1" wood screws suitable for the type of wood you choose to use with your Bench Kit. You can make the bench any width you wish depending on the length of boards you choose. The Bench Kit is designed to use 14" pieces of wood for the leg trim pieces.



Qty. 4 Bench Panels



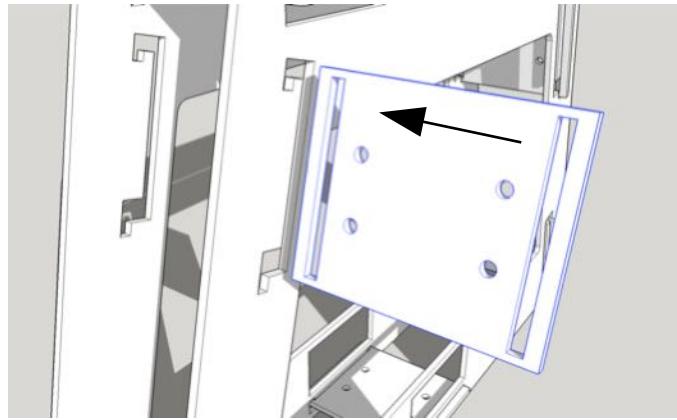
Qty. 2 Long Brackets



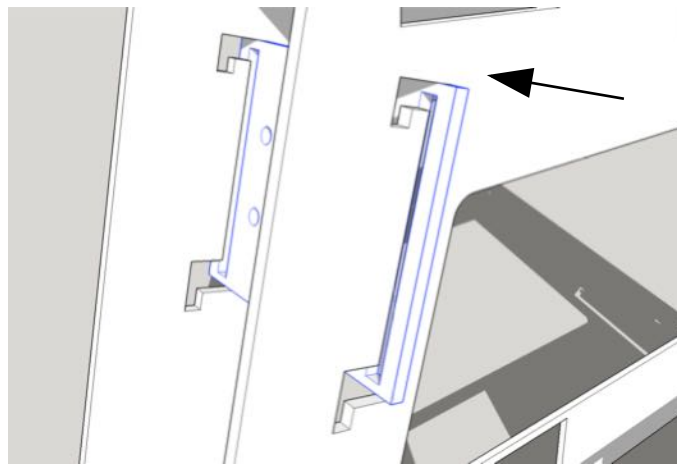
Qty. 10 Short Brackets

Tab and Slot Assembly

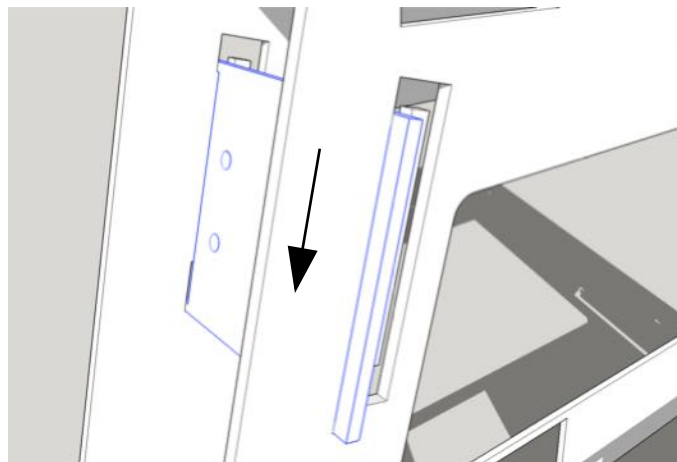
Slide plates behind
bracket hooks in panels.



Slide plates over hooks

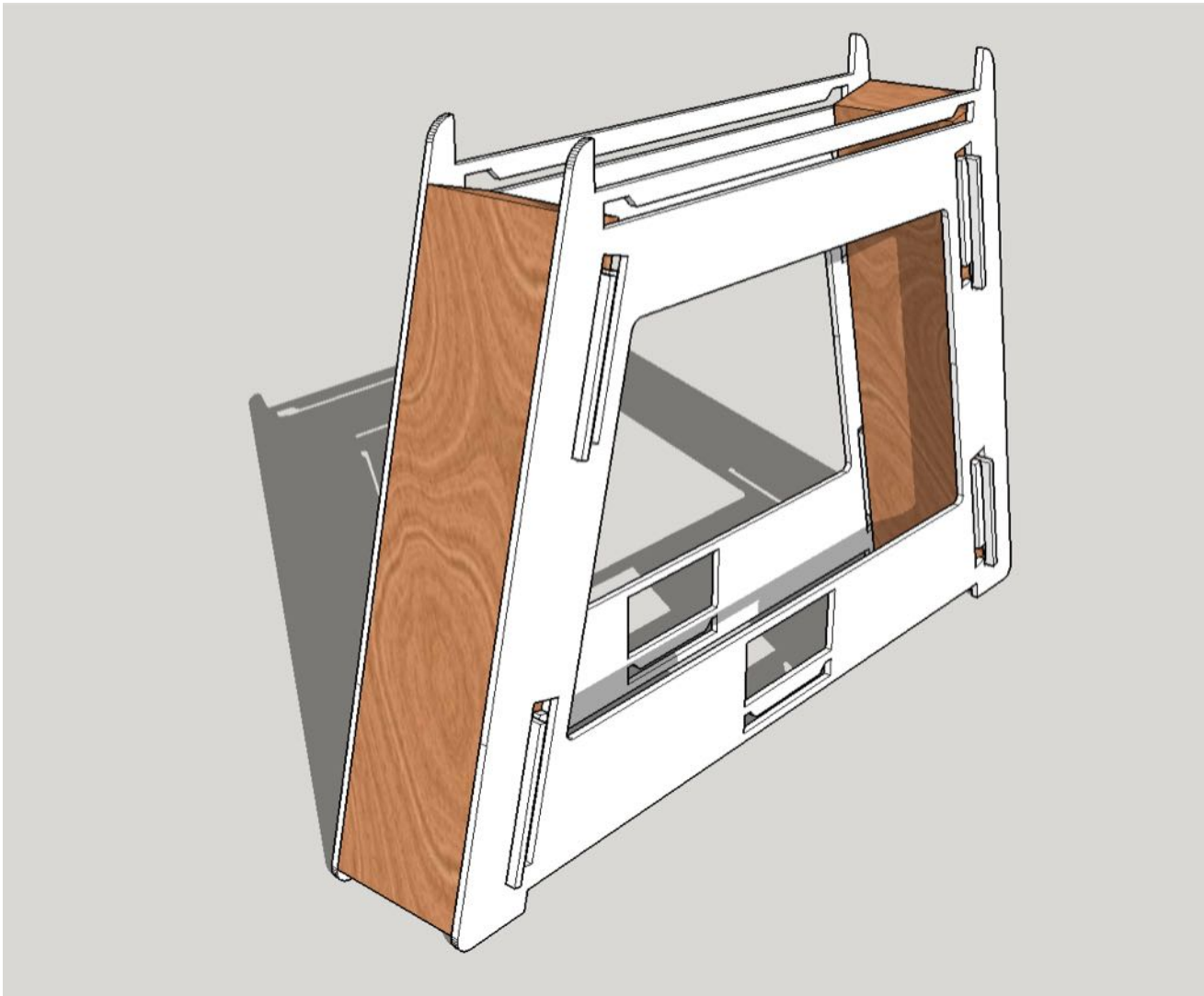


Push plates down to
lock into position.
Repeat process on
remaining brackets.



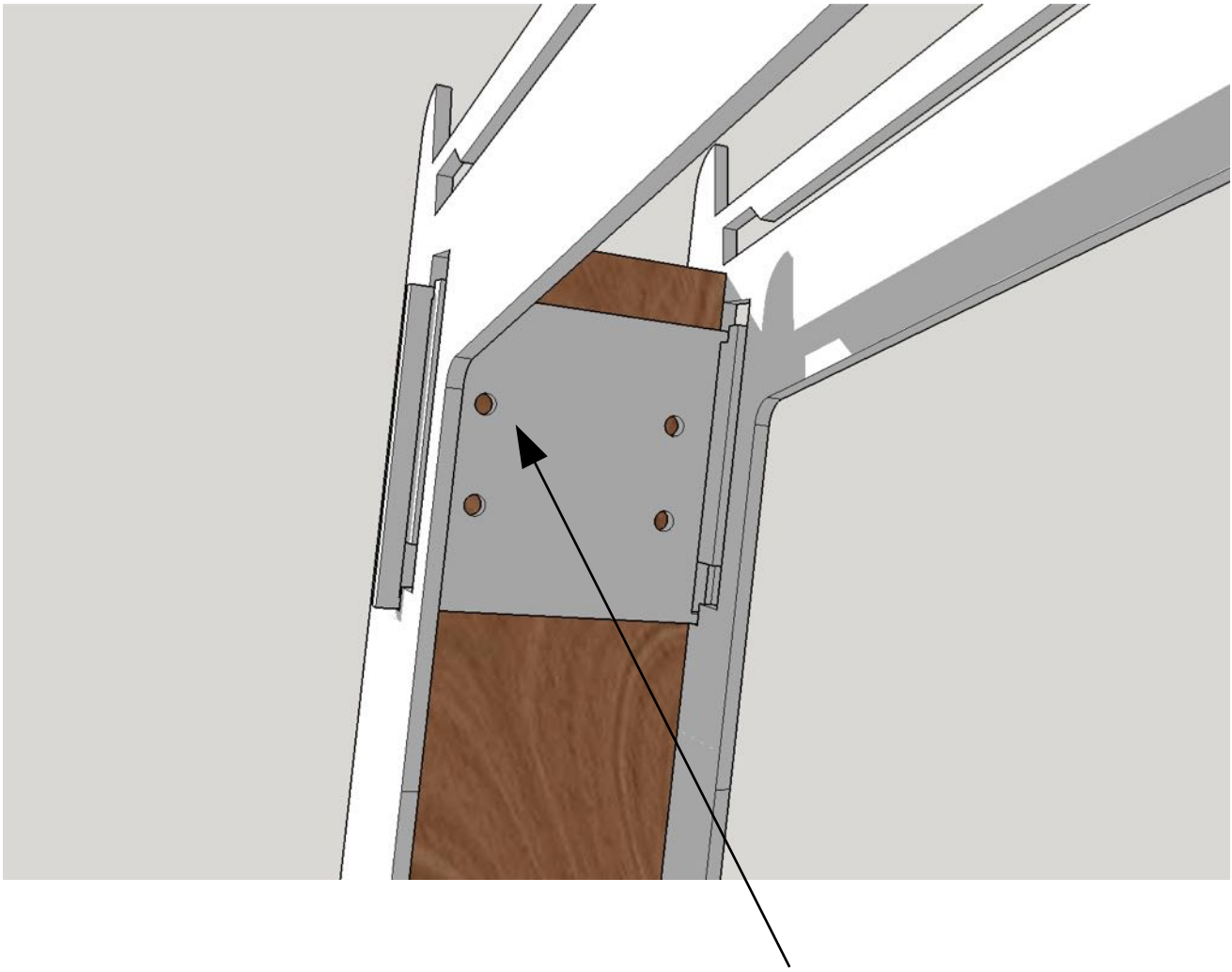
Insert Leg Trim Pieces

Insert your 14" wood pieces between the metal panels. It may be necessary to use a hammer to negotiate the wood into position or even use a saw to trim the wood for a snug fit.



Attach Leg Trim Pieces

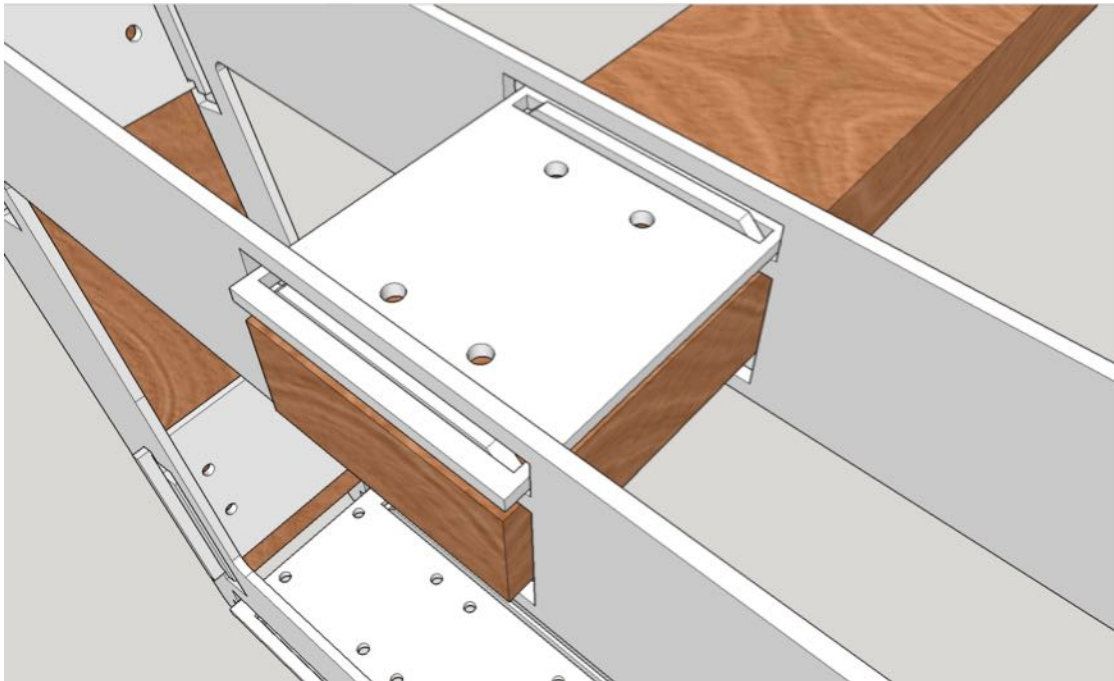
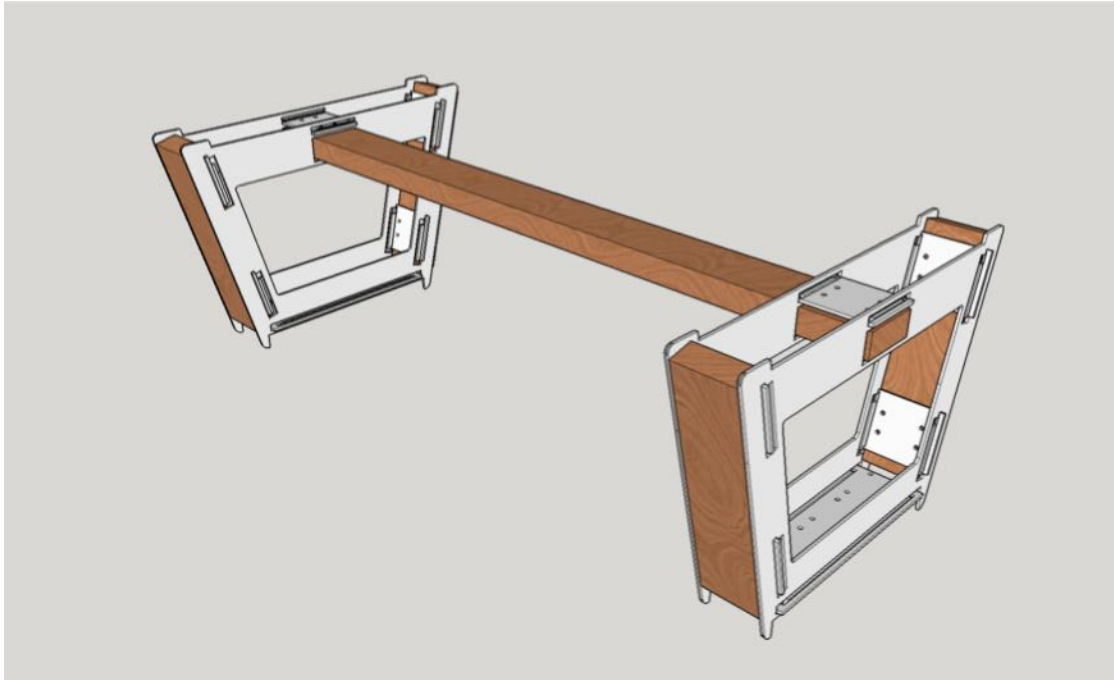
Use 1" wood screws to attach the wood trim pieces to the bench bracket.



Use 4 wood screws to attach board

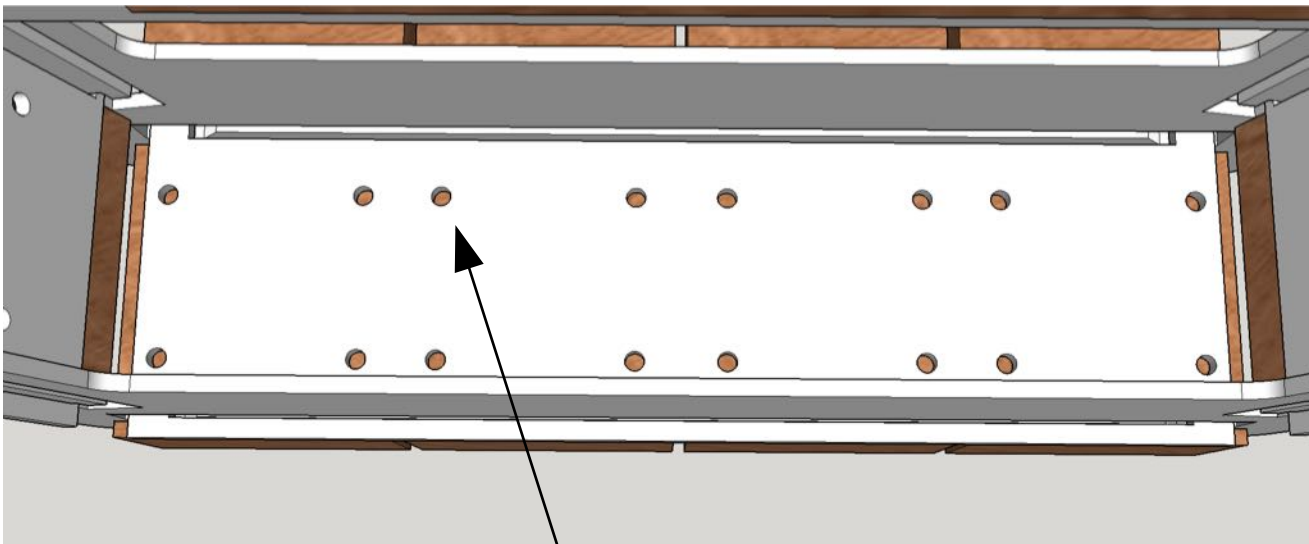
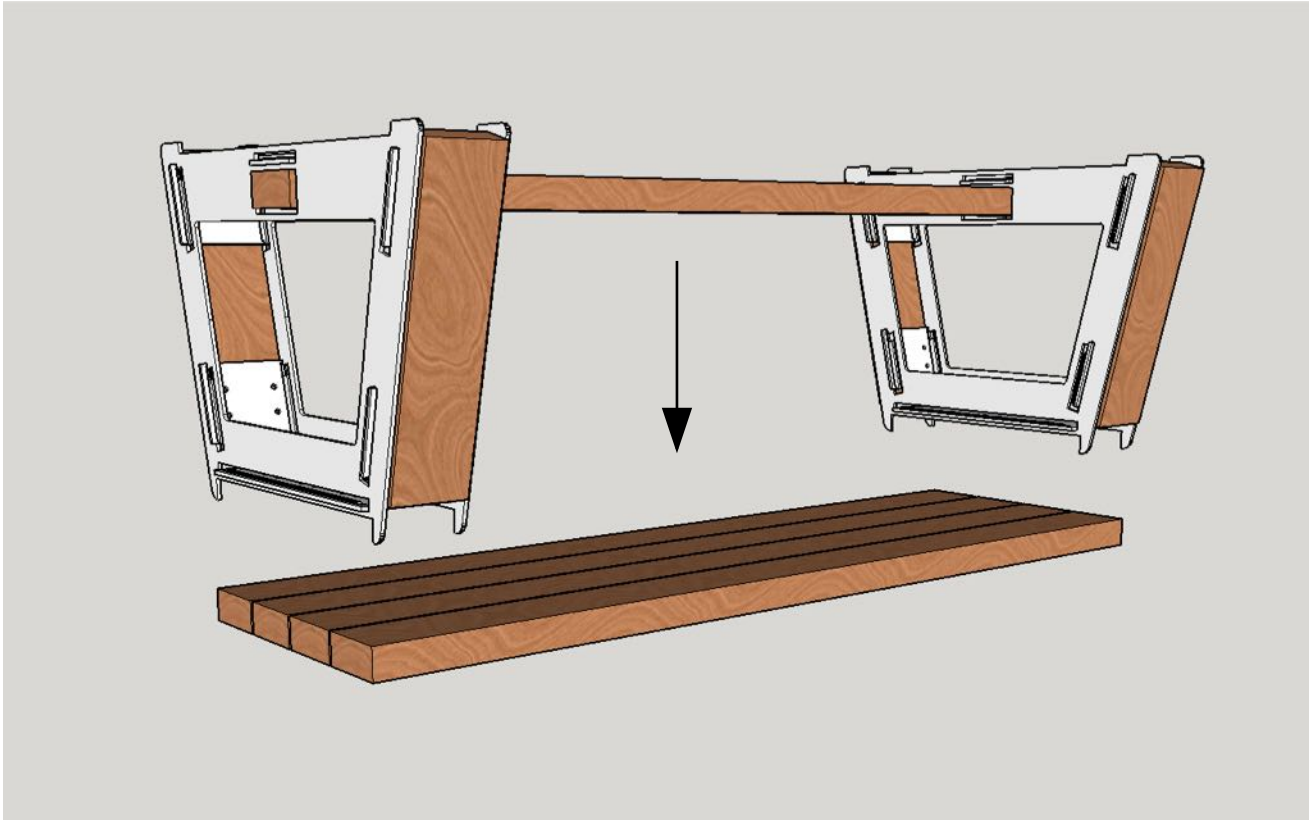
Attach Bottom Support Board

Flip the brackets upside down. Use 1" wood screws to attach the bottom support board to the bench brackets.



Attach Bench Boards

Position the bench boards on a flat and level surface. Make sure the ends are lined up and everything is square. Place the Bench Brackets on top.



Attach the boards to the bracket using 1" wood screws.

Caring For Your Bench Kit

Every part of your DIY Kit was hand-rubbed with an FDA Approved polymerized linseed oil to provide a safe and natural finish to protect the steel from moisture designed to delay the natural rusting process.

If you wish to preserve the look of your product's original appearance then it will be necessary to periodically inspect and reapply the oil as it will degrade over time due to UV exposure from the sun. Simply clean your product with a dry cloth or warm water if necessary. Allow to dry completely. Use a staining pad or cloth rag to apply a very thin layer of linseed oil to all surfaces. Thoroughly buff when done to remove excess oil to prevent a gummy finish.

You may also choose to allow the metal to age beautifully through the natural Patina process. Patina is a weathering process which occurs when metal is exposed to oxygen and moisture that will gradually change bare steel from a bluish gray color to a dark reddish brown. This natural process varies the appearance of each piece making every metal piece unique.