

DRAWING NUMBER

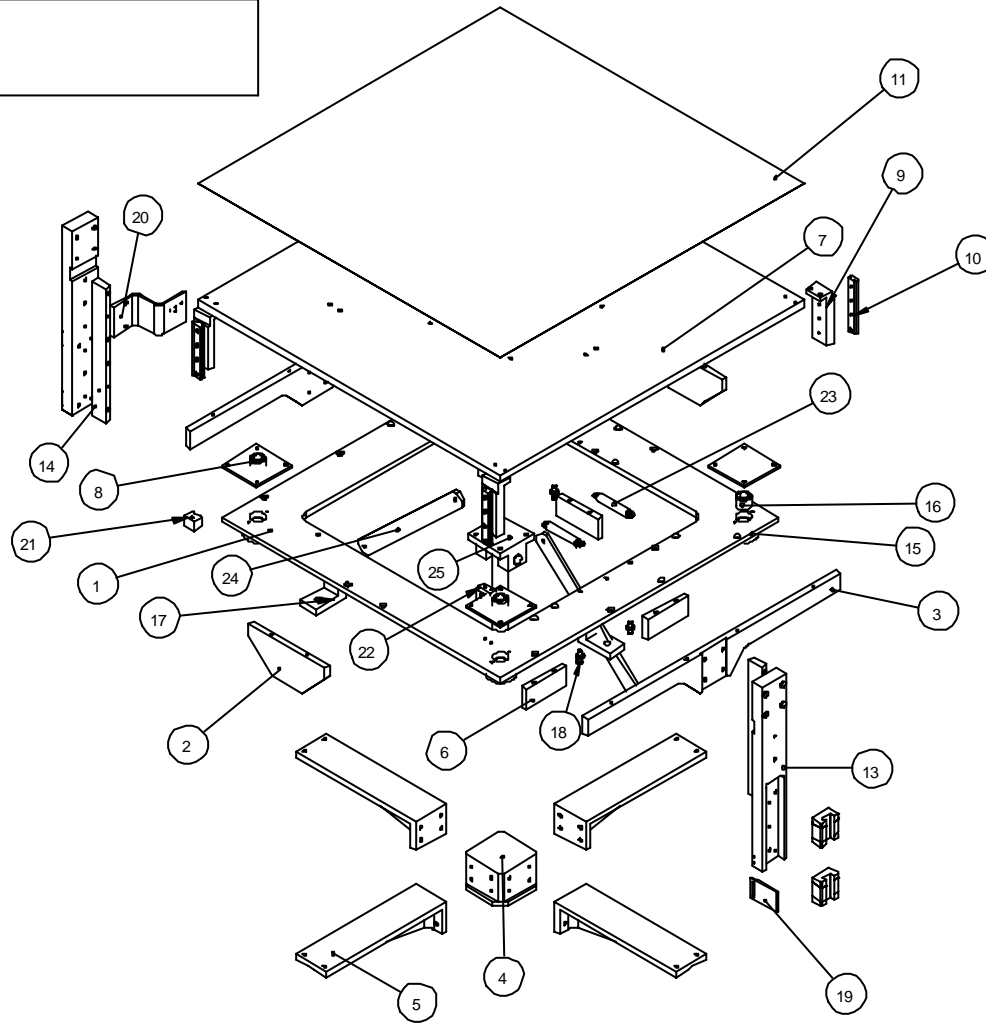
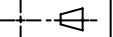
002024

ALL DIMENSIONS ARE AFTER PLATING

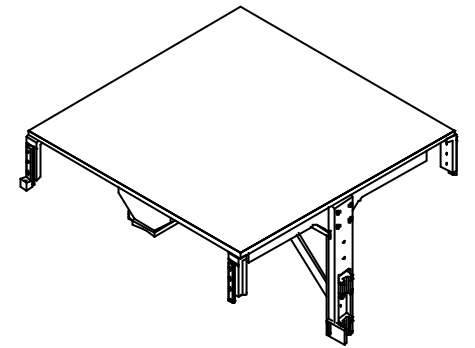
ALL THREADS TO BE FREE OF PAINT

REMOVE ALL BURRS &amp; SHARP EDGES

THIRD ANGLE PROJECTION



	PART NO	ISSUE	DESCRIPTION	QTY
1	002026	F	TABLE SUPPORT PLATE	1
2	002035	A	TIE PLATE SHORT	2
3	002036	C	TIE PLATE LONG	2
4	002033	E	LIFT BLOCK	1
5	002032	C	LIFT EXTENTION BRACE	4
6	002120	A	HARDENED PAD	3
7	002025	C	TABLE	1
8	002031	A	TABLE HARDENED PAD	4
9	002058	E	LIFT BEARING RAIL MOUNT	4
10	002098	B	LINEAR BEARING	4
11	003216	A	CLAMP TOP PLATE	1
13	002314	C	CLAMP ASSY MOUNT	2
14	003073	A	TABLE STRENGTHENER	2
15	001012	C	BALL TRANSFER HOLDER	4
16	000944	A	BALL TRANSFER	4
17	001017	D	TABLE RETAINER	3
18	001098	A	SPRING RETAINER SHORT	3
19	003270	A	VANE	1
20	003272	A	TABLE DRAG CHAIN SUPPORT	1
21	003035	A	REAR RAIL BALANCE BLOCK	2
22	001412	A	2 WAY MOLEX BRK	1
23	003292	A	SPRING	3
24	003072	A	TABLE BRACE	2
25	003074	A	TABLE YOKE	1
27	003088	A	LOCKING PIN	1



PART No. &amp; SUPPLIERS REF. CODE TO BE PRESENT ON ALL COMPONENTS

THIS DRAWING AND THE COPYRIGHT IN IT, IS THE PROPERTY OF REPRINT IT MAY NOT BE COPIED, REPRODUCED, PUBLISHED OR DISCLOSED IN WHOLE OR IN PART TO ANY THIRD PARTY WITHOUT THE WRITTEN CONSENT OF THE COMPANY.

SURFACE ROUGHNESS  
ITD  
1.6 Am

THREADS: ISO COARSE  
TO CLASS 6H/6g U.O.S.

DIMENSIONS  
IN MM'S-INCHES IN ( )

MATERIAL

ASSY

FINISH

ASSY

TOLERANCES UNLESS

CAST. ± 0.5  
GEN. ± 0.2  
ANG. ± 0.5°  
CRS. ± 0.1

OTHER WISE STATED

CAD SCALE

1:5

DO NOT  
SCALE

HISTORY

A

29.09.05

LATEST ISSUE

No.

B

DATE 13/01/2006

C/N

INITIAL

DRAWN

G.C.

DATE

13/01/2006

PRODUCT CODE

TITLE

TABLE

DRAWING NUMBER

002024

SH. 1

OF 1

A

3