

001329

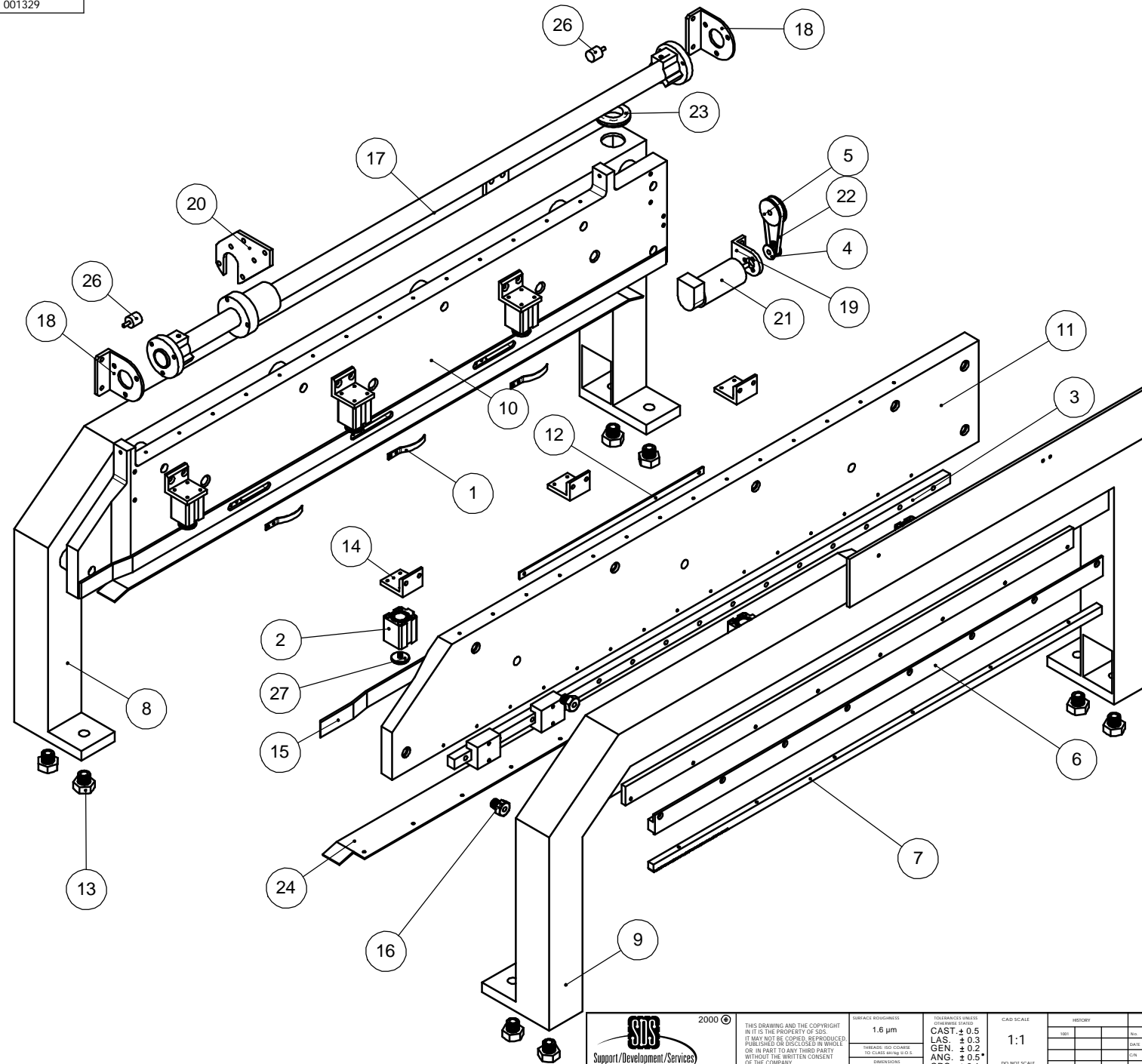
ALL DIMENSIONS ARE AFTER PLATING

PART NO. & SUPPLIER REF. CODE TO BE PRESENT ON ALL COMPONENTS

ALL THREADS TO BE FREE OF PAINT

REMOVE ALL BURRS & SHARP EDGES

THIRD ANGLE PROJECTION



REV	DATE	BY	CHKD	DESCRIPTION	APP
1	08/13/01	A		ASSEMBLY	
2	08/13/01	A		CASTING	
3	08/28/01	A		LINEAR BEARING	
4	08/28/01	A		PLATE	
5	08/28/01	A		PLATE	
6	08/28/01	A		SCREEN MOUNT	
7	08/28/01	A		MOUNTING BRACK	
8	08/28/01	A		SCREEN MOUNT FABRICATION GA	
9	08/28/01	C		SCREEN MOUNT FABRICATION GA	
10	08/28/01	A		SCREEN MOUNT FABRICATION GA	
11	08/28/01	C		SCREEN MOUNT BRACK GA	
12	08/28/01	A		SCREEN MOUNT	
13	08/28/01	A		ADJUSTER	
14	08/28/01	A		TOUCHSCREEN MOUNT	
15	08/28/01	A		MOUNT BRACK	
16	08/28/01	A		ADJUSTER	
17	08/28/01	A		TOUCHSCREEN	
18	08/28/01	A		TOUCHSCREEN BRACKET	
19	08/28/01	A		MOUNT BRACK	
20	08/28/01	A		TOUCHSCREEN	
21	08/28/01	A		MOUNT	
22	08/28/01	A		PLATE	
23	08/28/01	A		TOUCHSCREEN	
24	08/28/01	A		TOUCHSCREEN	
25	08/28/01	A		TOUCHSCREEN	
26	08/28/01	A		TOUCHSCREEN	
27	08/28/01	A		TOUCHSCREEN BRACK	
28	08/13/01	E		SCREEN MOUNT FABRICATION GA	

SIS 2000 ©
Support/Development/Services

THIS DRAWING AND THE COPYRIGHT IN IT IS THE PROPERTY OF SIS. IT MAY NOT BE COPIED, REPRODUCED, PUBLISHED OR DISCLOSED IN WHOLE OR IN PART TO ANY THIRD PARTY WITHOUT THE WRITTEN CONSENT OF THE COMPANY.

SURFACE ROUGHNESS
1.6 μm

TOLERANCES UNLESS OTHERWISE SPECIFIED
CAST: ± 0.5
LAS: ± 0.3
GEN: ± 0.2
ANG: ± 0.5°
CRS: ± 0.1

CAD SCALE
1:1
DO NOT SCALE

HISTORY	DATE	BY	CHKD	DESCRIPTION
1001				

DRAWN: dsm
DATE: 31/01/2001
PRODUCT CODE: GA
DRAWING NUMBER: 001329

FILE: SCREEN MOUNT FABRICATION GA

REV: 1 A
REV: 2 A