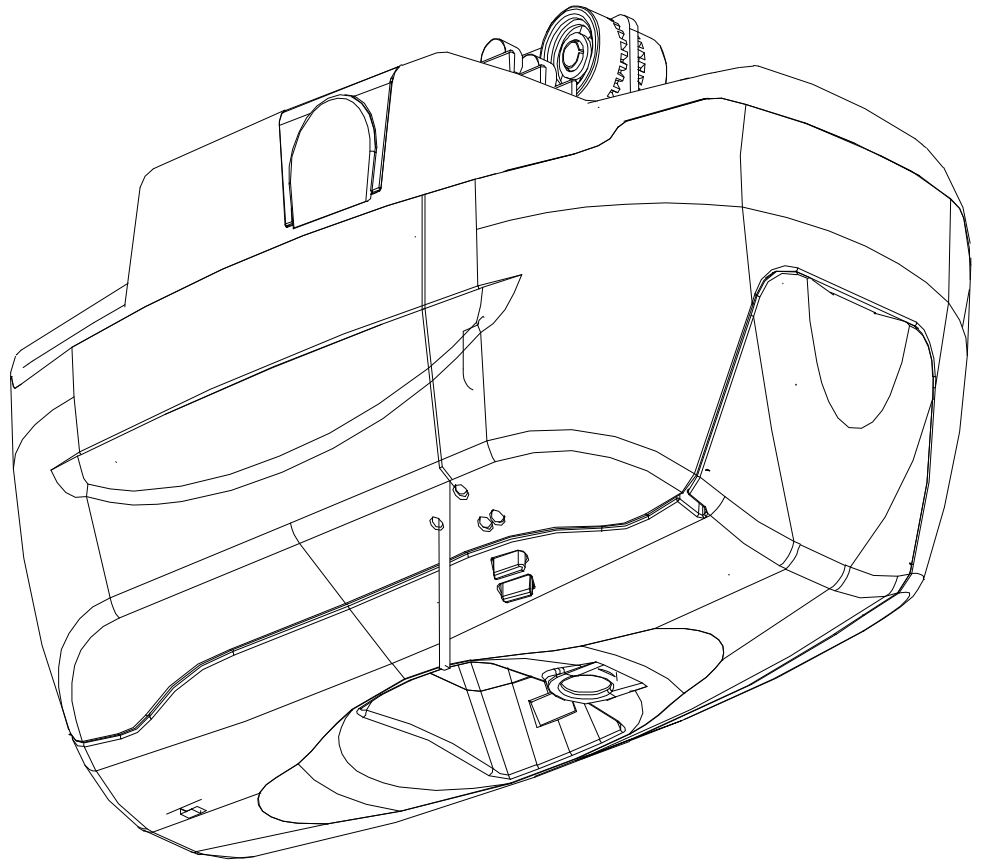


# PARTS LIST

## MAXI SKY 600

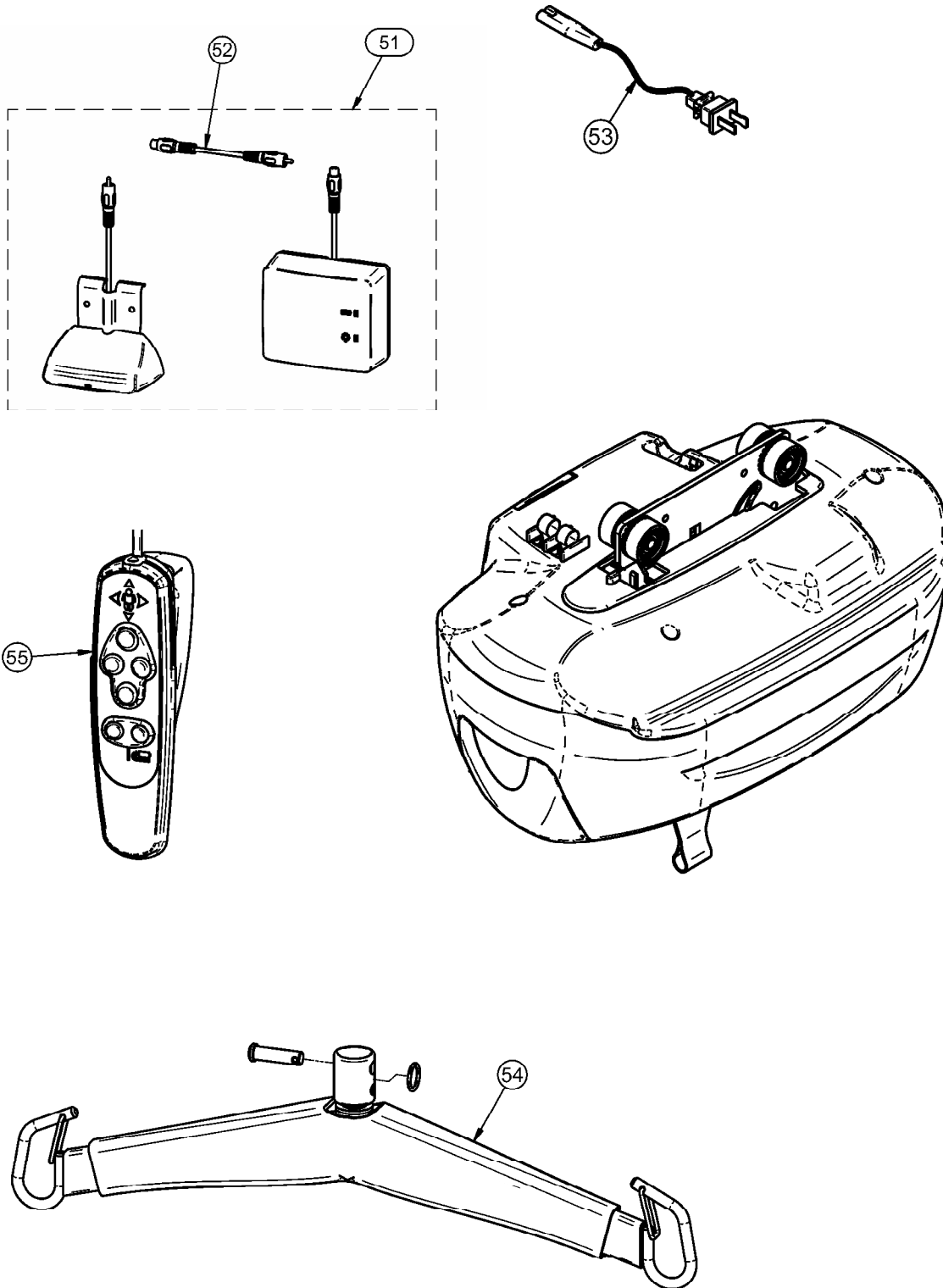
### CEILING LIFT SYSTEM

# MAXI SKY 600

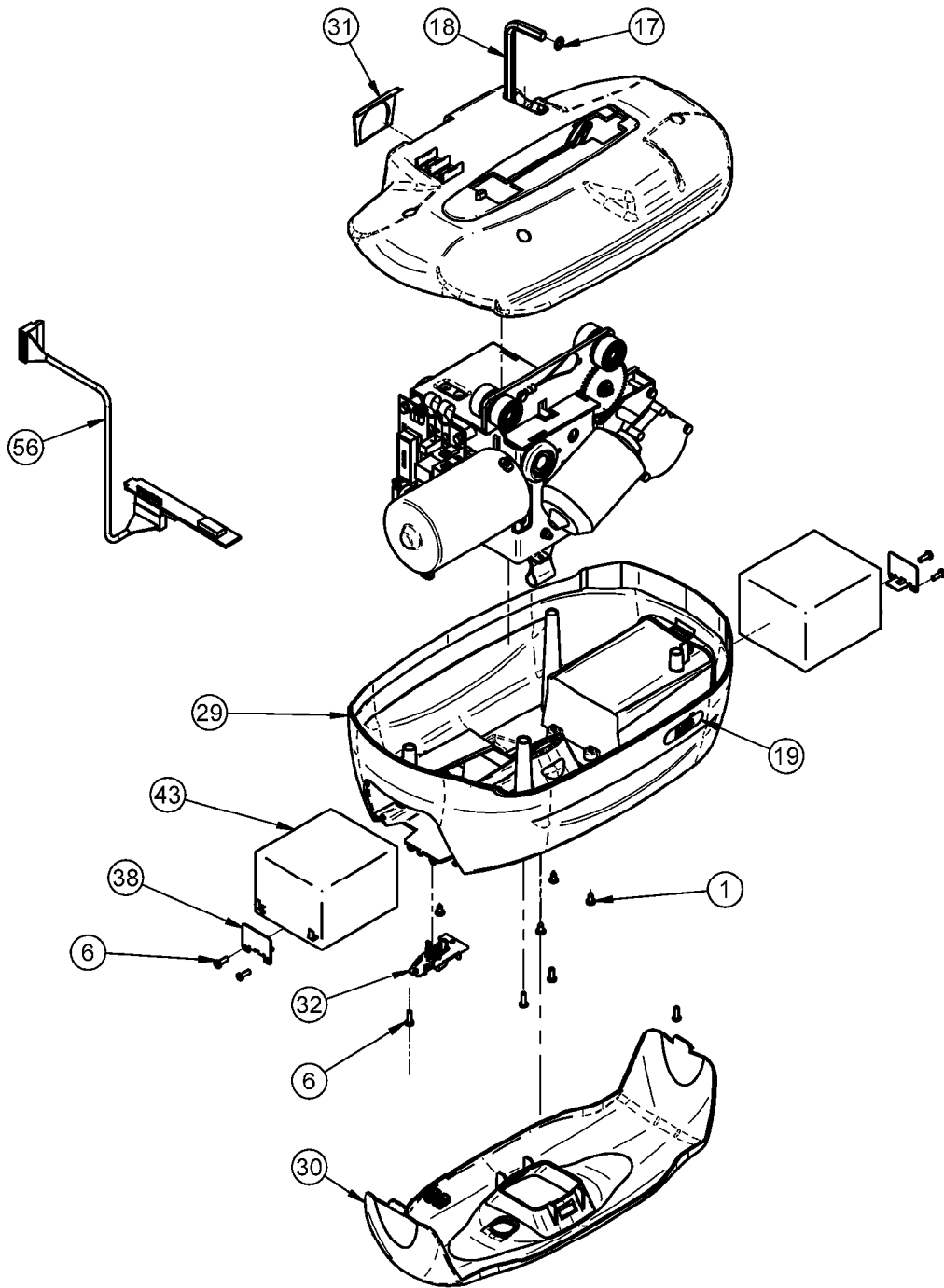




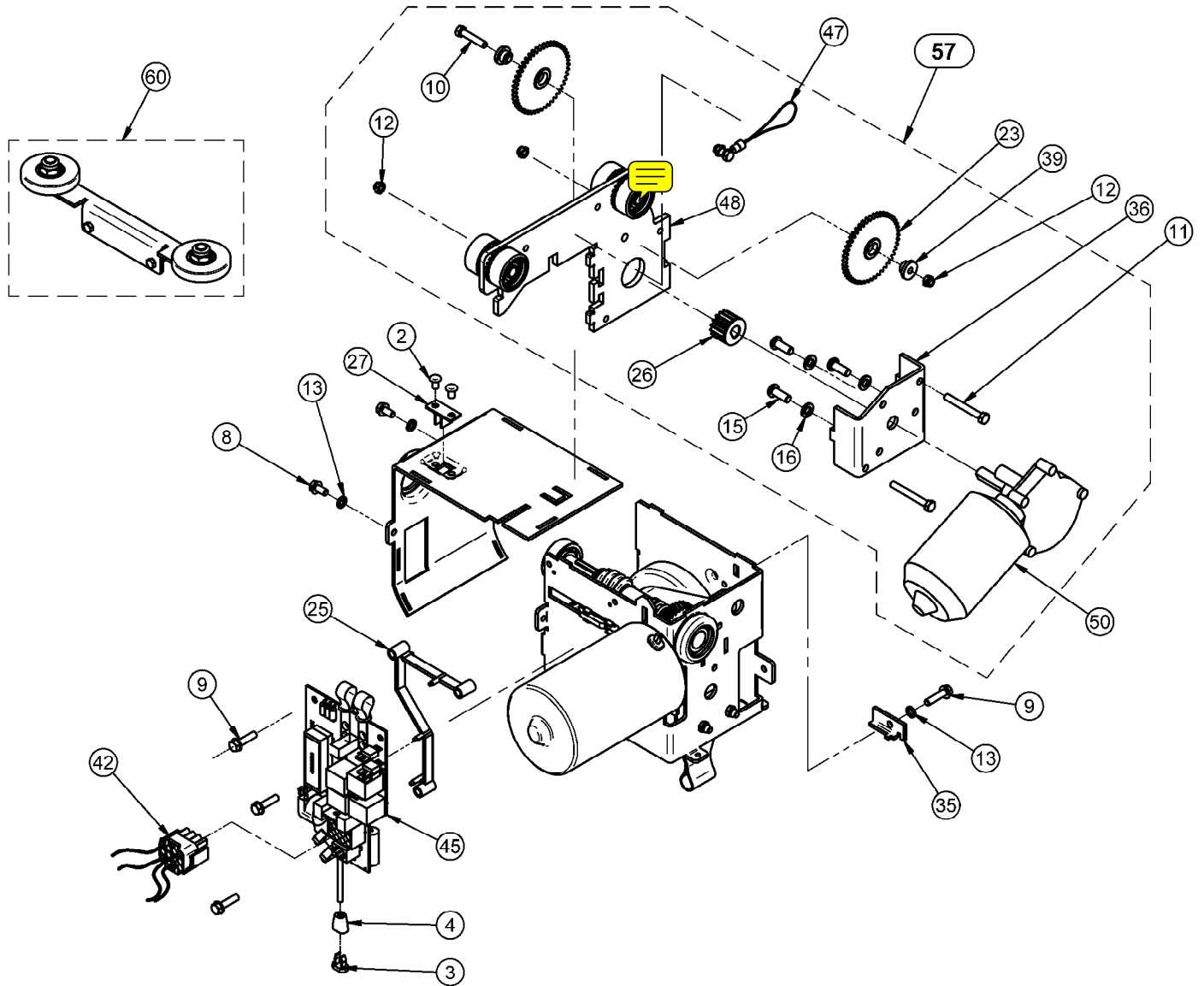
EXPLODED VIEW OF PRODUCT AND PARTS LIST



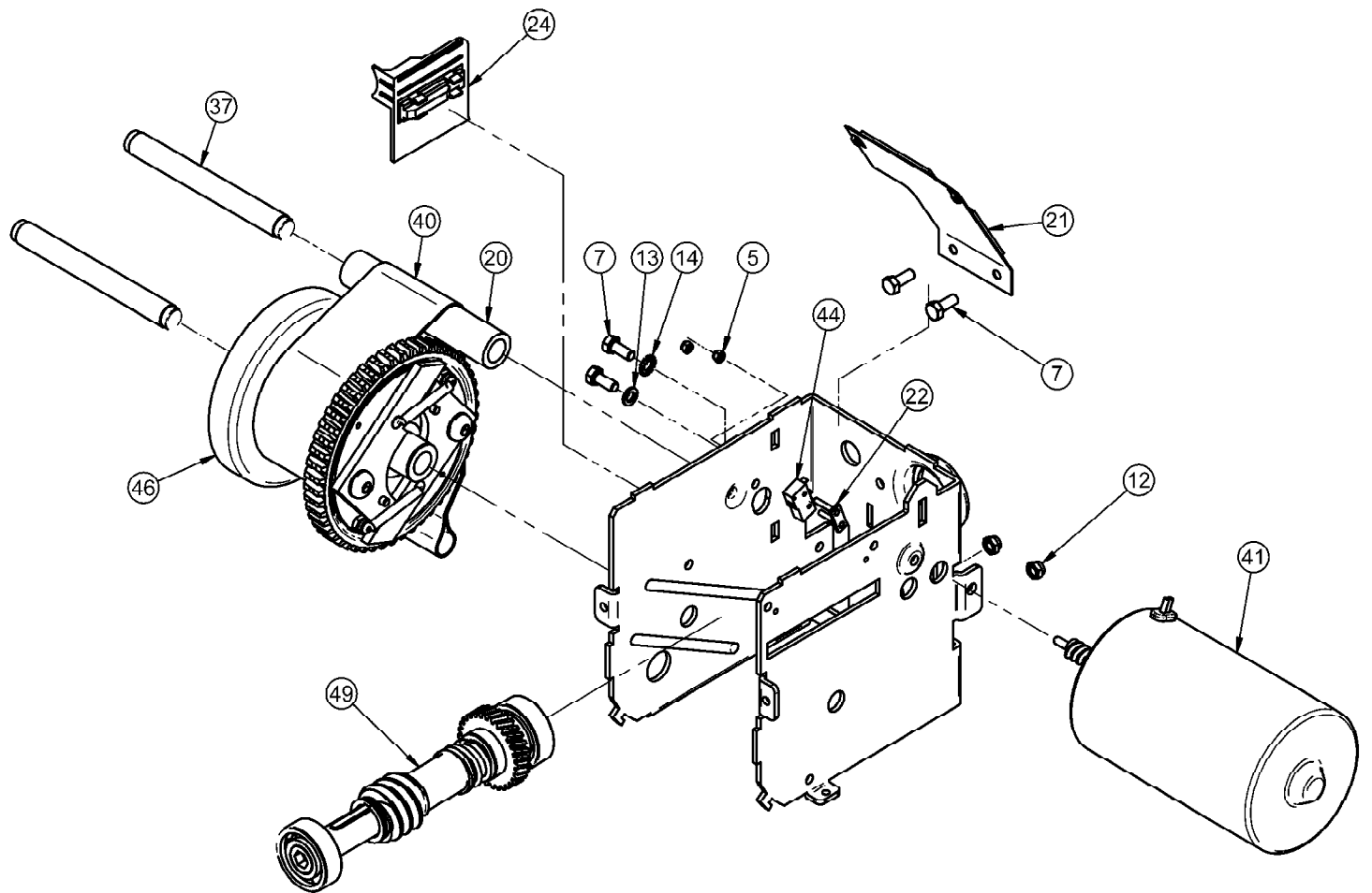
# PARTS LIST




# PARTS LIST



# PARTS LIST



## PARTS LIST

ITEM #	PART #	DESCRIPTION	QTY
1	000.00635	TAP SCREW ST4.2 X 9.5 TORX	4
2	000.00890	RIVET 3/16" 0-1/8 ALUMINIUM	2
3	000.01370	CORD END "INSERT"	1
4	000.01375	CORD END "SHEATH"	1
5	000.01970	LOCKNUT M2.5 ZINC	2
6	000.02480	TAP SCREW PLASTITE 4.0 X 12	8
7	000.02550	SCREW M5 X 12 HEX ZINC	4
8	000.02562	SCREW M5 X 10 TAPTITE ZINC	2
9	000.02590	SCREW M5 X 20 TAPTITE ZINC	4
10	000.02610	SCREW M5 X 25 HEX ZINC	1
11	000.02655	SCREW M5 X 40 HEX ZINC	2
12	000.02800	LOCKNUT M5 ZINC	5
13	000.02900	LOCKWASHER M5 ZINC	4
14	000.02915	STARWASHER M5 ZINC	1
15	000.03105	SCREW M6 X 16 BUTTON ZINC	3
16	000.03420	LOCKWASHER M6 ZINC	3
17	000.03950	O-RING 8MM - 2MM CORE	1
* 18	000.03975	ALLEN KEY 8MM SHORT	1
19	001.14050.33	STICKER "MAXI SKY 600"	2
20	200.14060	MAXI SKY 600 - STRAP ROLLER	1
21	200.14070	MAXI SKY 600 - LIMIT PLATE	1
22	200.1409	MAXI SKY 600 - LIMIT FIXATION BRACKET	1
23	200.14210	MAXI SKY 600 - IDLER 46 TOOTH	2
24	200.14230	MAXI SKY 600 - CBLM PLATE	1
25	200.14240	MAXI SKY 600 - PCB SUPPORT	1
26	200.14250	MAXI SKY 600 - LR MOTOR GEAR	1
27	200.14260	MAXI SKY 600 - SSRs ENABLER	1
28	200.14500.33	MAXI SKY 600 - TOP SHELL	1
 29	200.14510.33	MAXI SKY 600 - MAIN SHELL	1
30	200.14520.33	MAXI SKY 600 - PANEL	1
	700.14560.33	MAXI SKY 600 - PANEL ASSY FOR INFRARED	-
31	200.14530.33	MAXI SKY 600 - TOOL DOOR	1
32	200.14540	MAXI SKY 600 - REPLACEMENT BUTTON	1
33	203.14000	MAXI SKY 600 - FRAME "U" SHAPE	1
34	203.14010	MAXI SKY 600 - FRAME TOP PART	1
35	203.14030	MAXI SKY 600 - LOCK TROLLEY	1
36	203.14040	MAXI SKY 600 - LR MOTOR PLATE	1
37	203.14050	MAXI SKY 600 - 12MM SHAFT	2
38	203.14080	MAXI SKY 600 - BATTERY SUPPORT	2
39	203.14220	MAXI SKY 600 - BUSHING IDLER	2
* 40	362.14000	MAXI SKY 600 - STRAP	1
41	400.14000	MAXI SKY 600 - VERTICAL MOTOR	1
42	402.00032	MAXI SKY 600 - WIRE KIT	1
* 43	403.10500	BATTERY 12V 5Ah	2

## PARTS LIST

	44	460.00005	LIMIT SWITCH TERMINAL 0.110	1
*	45	492.00035-3	Maxi Sky 600 (600 LBS) MAIN BOARD	1
	45	492.00035-7	Maxi Sky 600 (600LBS) MAIN BOARD FOR INFRARED	
	46	700.13350	DRUM 50MM ALUMINIUM WITH STRAP	1
*	47	700.14015	MAXI SKY 600 ANTISTATIC KIT	1
	48	700.14020	MAXI SKY 600 TROLLEY 2FB KWIKTRAK	1
	49	700.14100	MAXI SKY 600 SHAFT ASSY	1
	50	E0006	GEARMOTOR	1
*	51	700.15500	MAXI SKY 600 - KWIKTRAK CHARGER	1
	52	402.15505	MAXI SKY 600 – CHARGER EXTENSION	1
*	53	402.00001	CLASS 2 CHARGER POWER CORD (UL)	1
		402.00002	CLASS 2 CHARGER POWER CORD (JP)	-
		402.00003	CLASS 2 CHARGER POWER CORD (CE)	-
		402.00004	CLASS 2 CHARGER POWER CORD (AU)	-
		402.00005	CLASS 2 CHARGER POWER CORD (UK)	-
	54	700.05495.33	MAXI SKY 600 - CARRY BAR WITH LOGO	1
		000.00905	CLEVIS PIN $\varnothing 7/16"$ X 1 21/32"	
		000.00921	SPLIT RING	-
		361.05495.33	MAXI SKY 600 CARRY BAR PADDING WITH LOGO	-
*	55	700.13600.33	MAXI SKY 440 -2 BUTTONS HAND CONTROL	1
		700.13640.33	MAXI SKY 600-1000 - INFRARED 6 BUTTONS HAND CONTROL	-
		700.13650.33	MAXI SKY 600- 1000 - 6 BUTTONS HAND CONTROL	-
	56	492.00038	MAXI SKY 600 INFRARED RECEIVER	1
	57	700.14025	MAXI SKY 600 TROLLEY 4FB KWIKTRAK	-
	58	000.01960	SCREW M2.5 X 12 ZINC	-
	59	000.01970	LOCKNUT M2.5 ZINC	-
	60	700.14900	GUIDING WHEEL KIT FOR RAIL	-

### OTHER PARTS

*		000.00001	AMP PIN EXTRACTOR	-
*		P8100	FOOD GRADE TYPE GREASE	-
		001.14150.33	MAXI SKY 600 USER MANUAL	-

**\* We recommend to always keep the parts identified by an asterisk in inventory:**

**At least 1 of each or 1 per 100 units**



