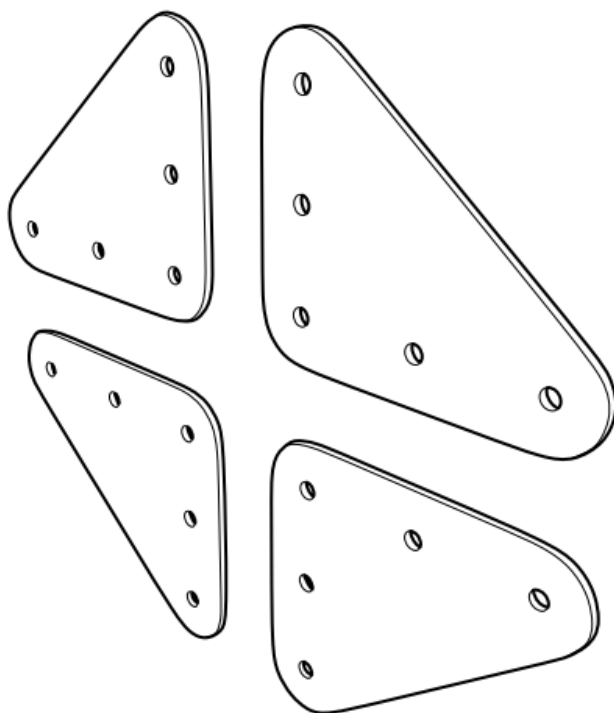
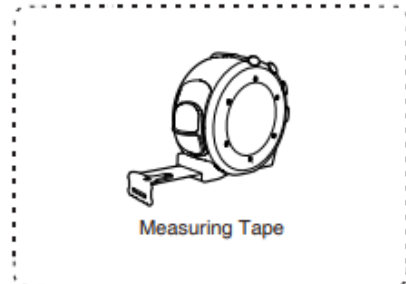
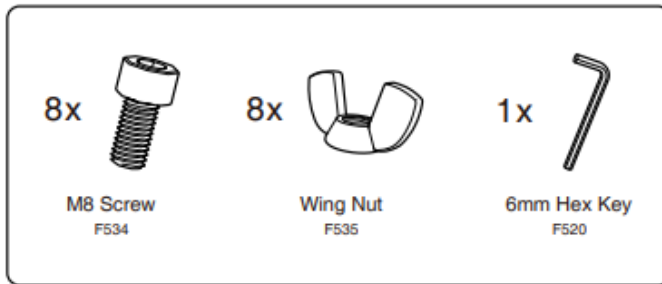


VESA ADAPTER KIT

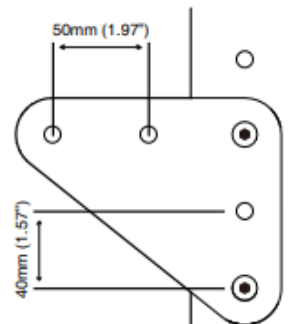


Assembly & Installation

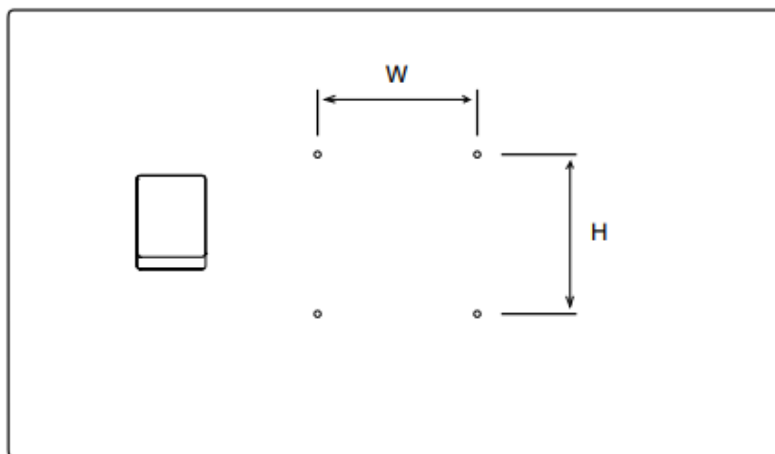




Dimension

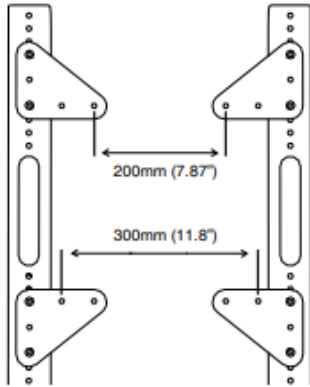


Identify your TV's VESA hole pattern

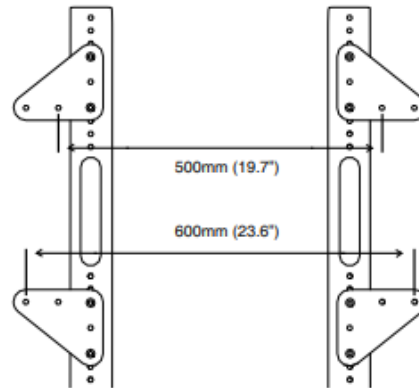


Assembly for various VESA patterns

Width < 400mm (15.8")



Width > 400mm (15.8")

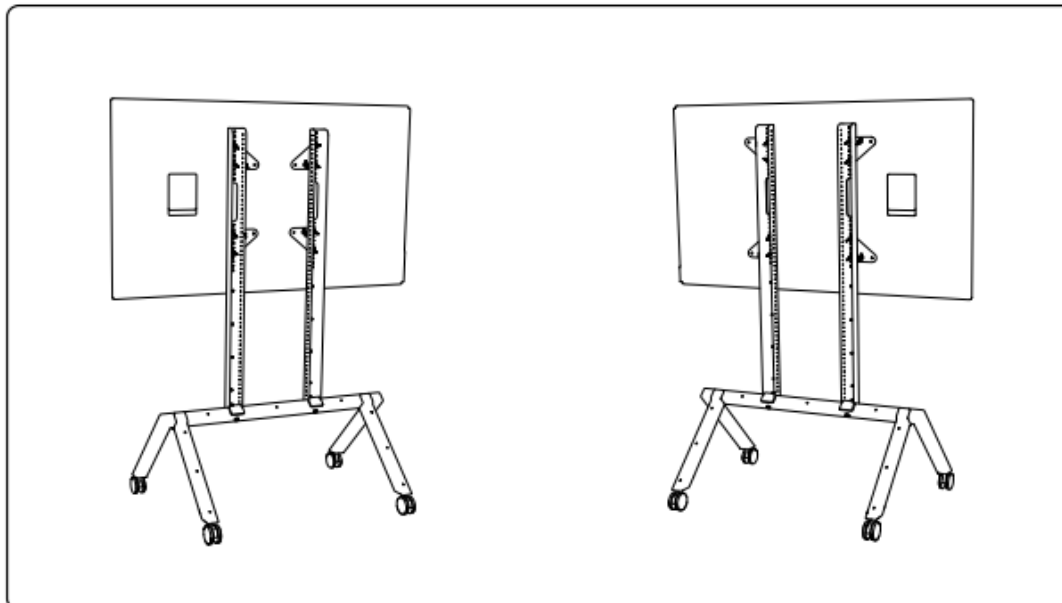


W x H

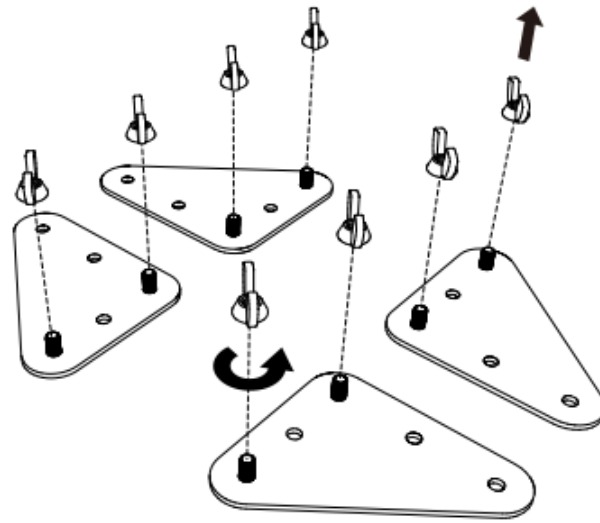
- 200mm x 100mm (7.87" x 3.9")
- 200mm x 200mm (7.87" x 7.87")
- 300mm x 200mm (11.8" x 7.87")
- 300mm x 300mm (11.8" x 11.8")
-

W x H

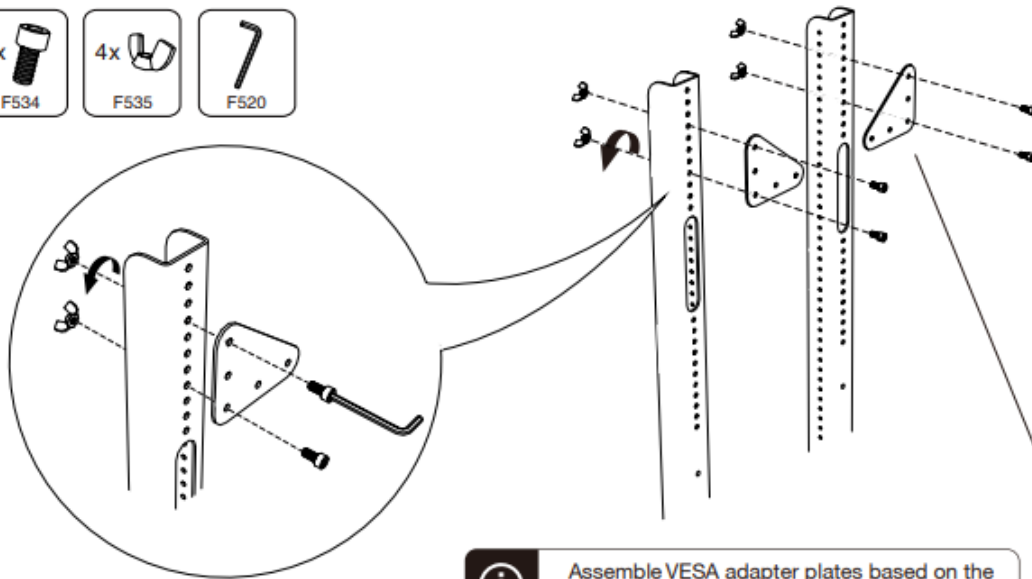
- 600mm x 200mm (23.6" x 7.87")
- 600mm x 300mm (23.6" x 11.8")
- 600mm x 400mm (23.6" x 15.8")
-



1

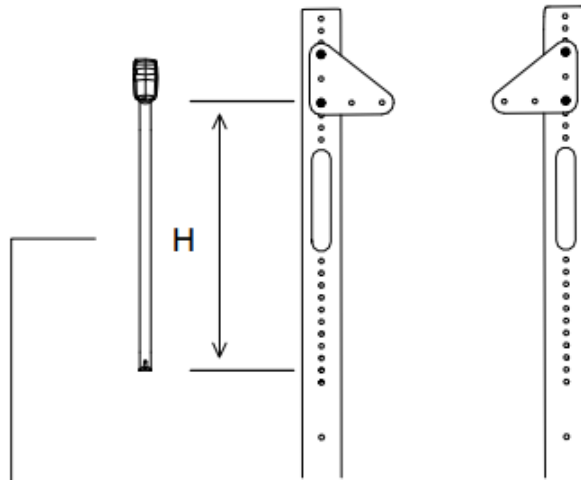


2



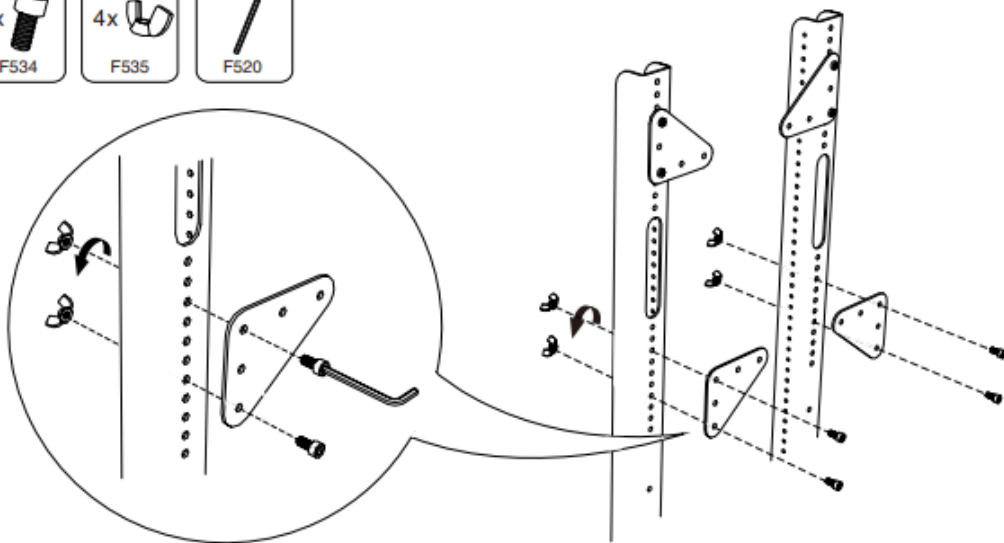
i Assemble VESA adapter plates based on the width of your VESA pattern.

3

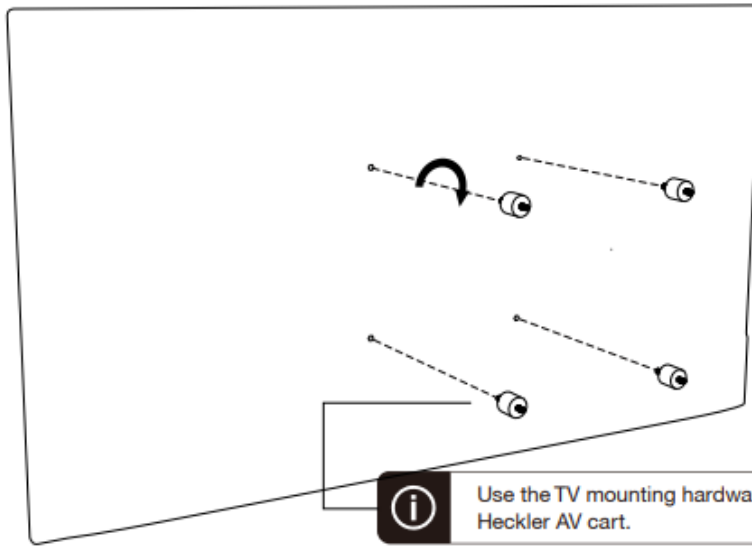


i Use measuring tape to measure the height of your VESA pattern.

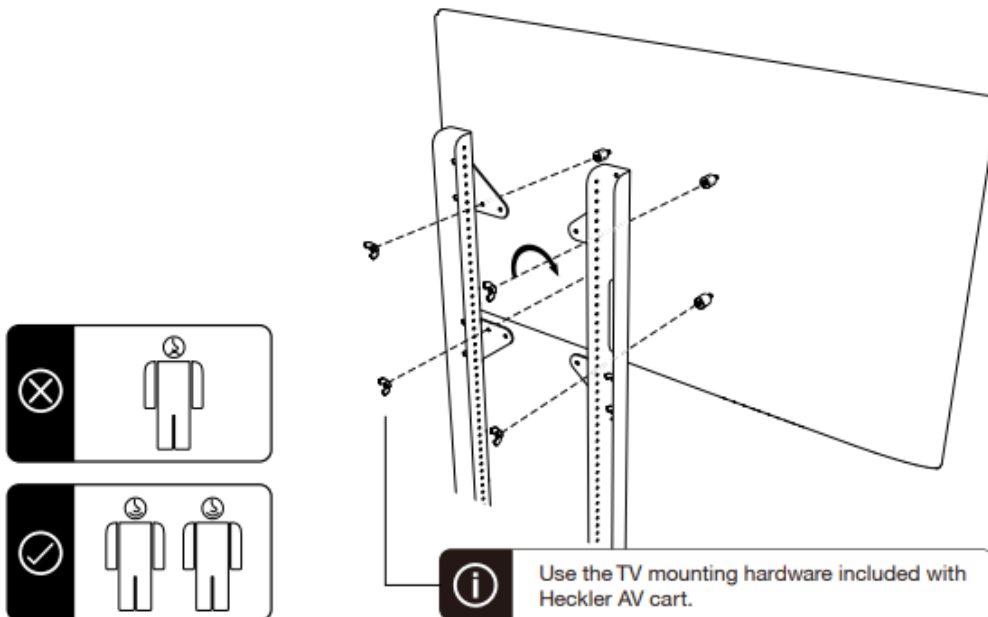
4



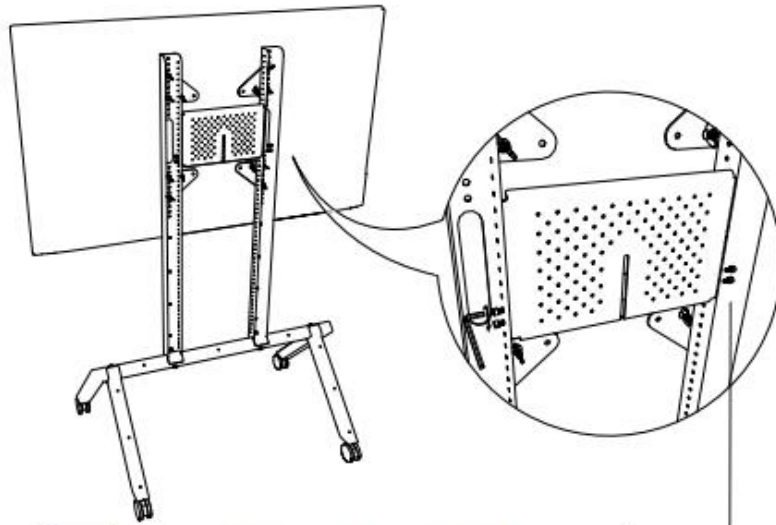
5



6



7



i Shelf installation hardware included with Heckler AV Cart and Heckler Multi Shelf.

