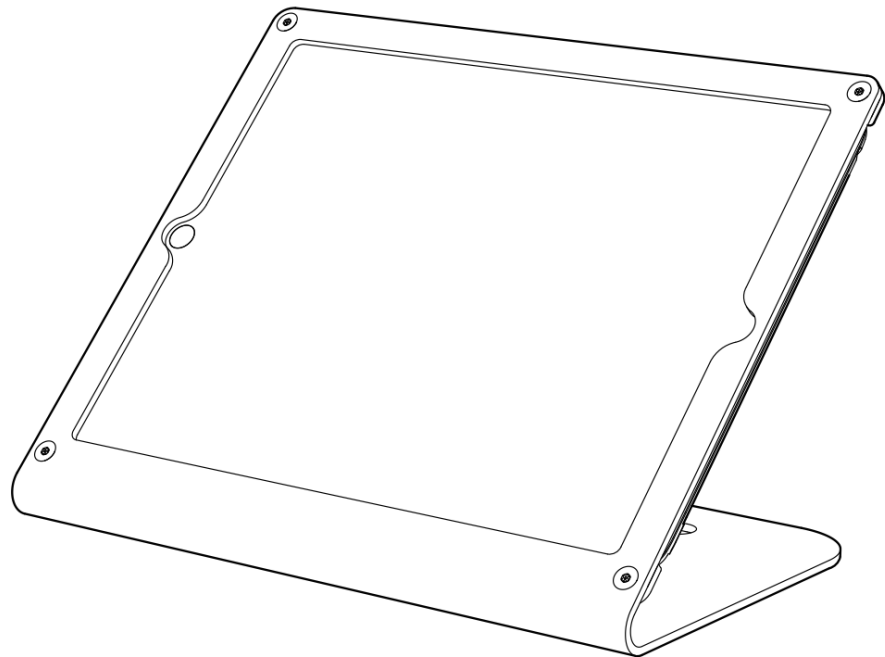


WindFall® **PRIME** **STAND**

Secure stand for iPad

Assembly & Installation



1:1


1x



F160



Torx assembly tool

 Keep your special assembly tool in a safe place. To purchase a replacement, please visit the online store.

4x



E126

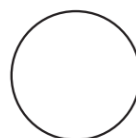


Adapter Clips

4x



S130

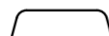


Felt Feet

4x

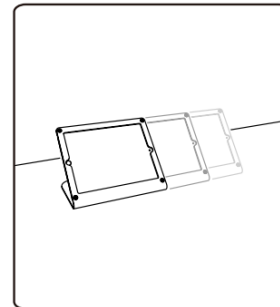
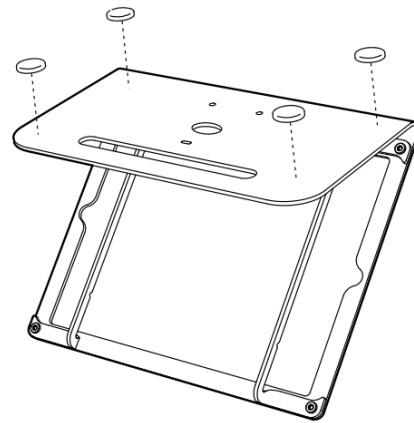
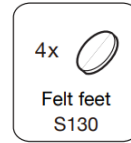
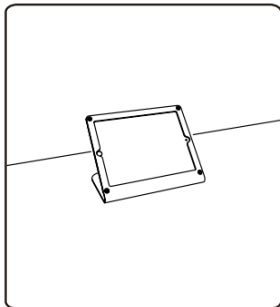
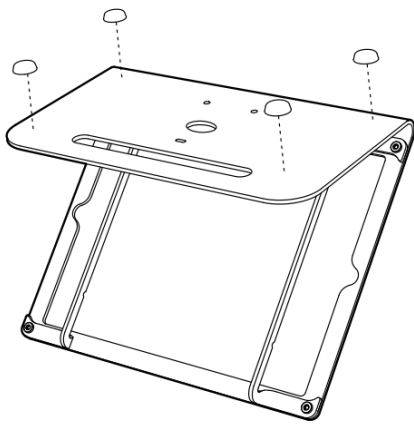


F581




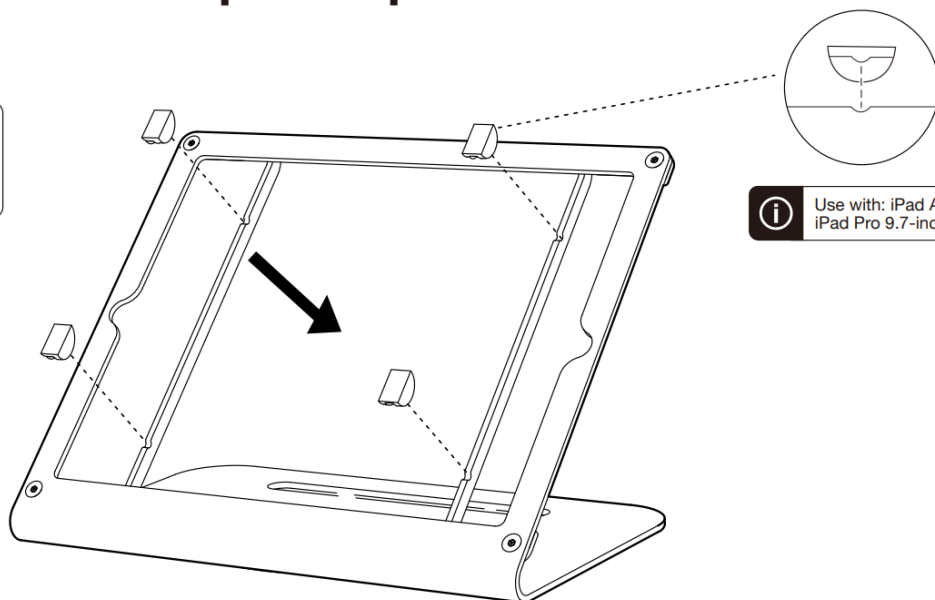
Friction Feet

1 Choose & install appropriate feet




2 Install adapter clips

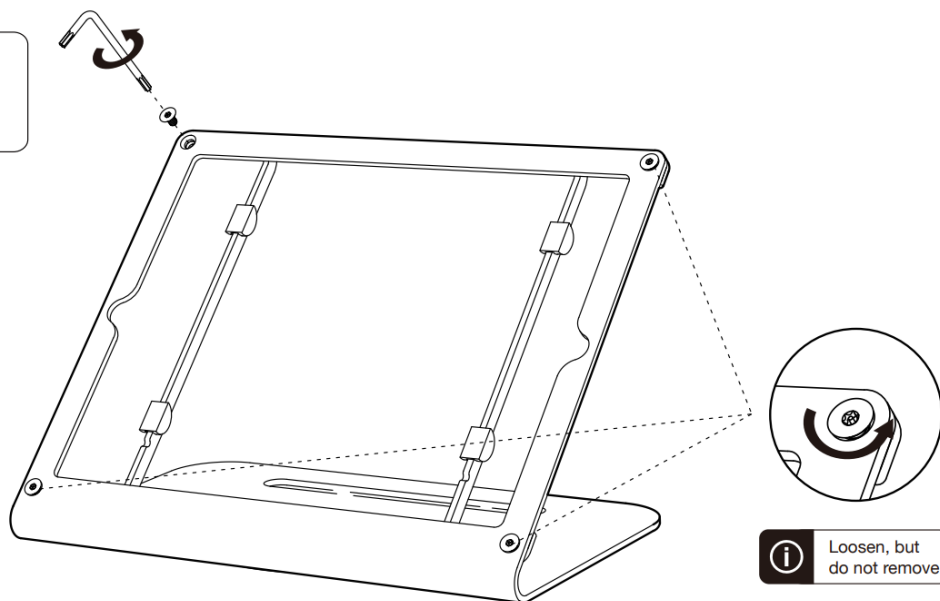
4x 
E126



i Use with: iPad Air 2
iPad Pro 9.7-inch

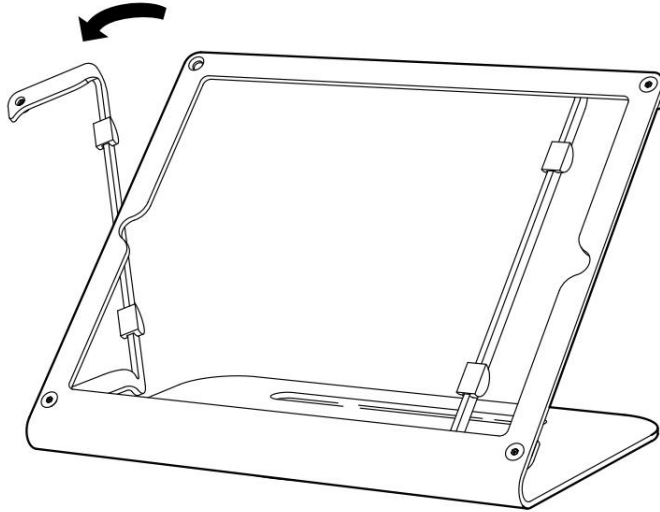
3 Loosen screws


F160

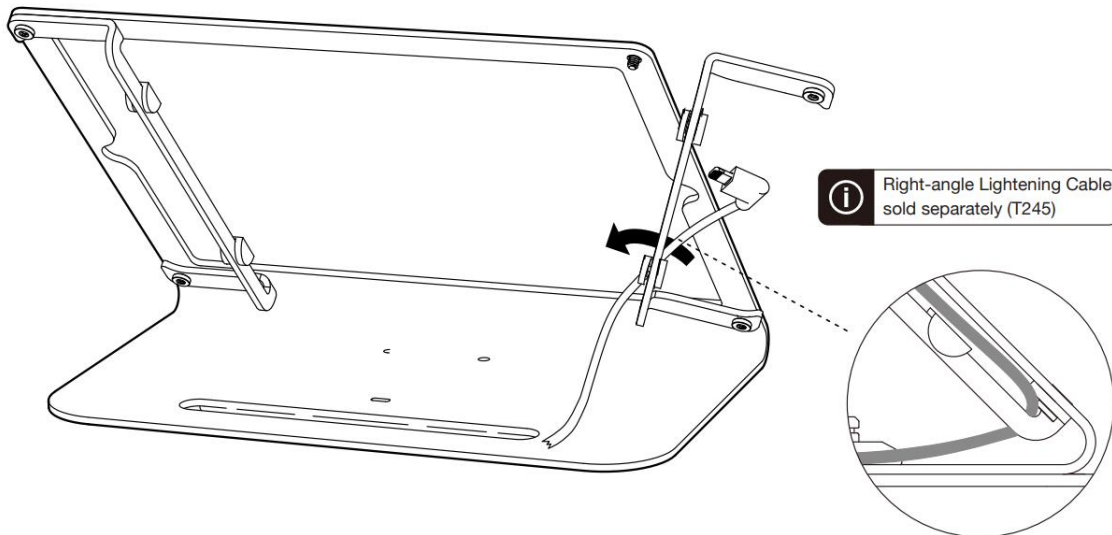


i Loosen, but
do not remove.

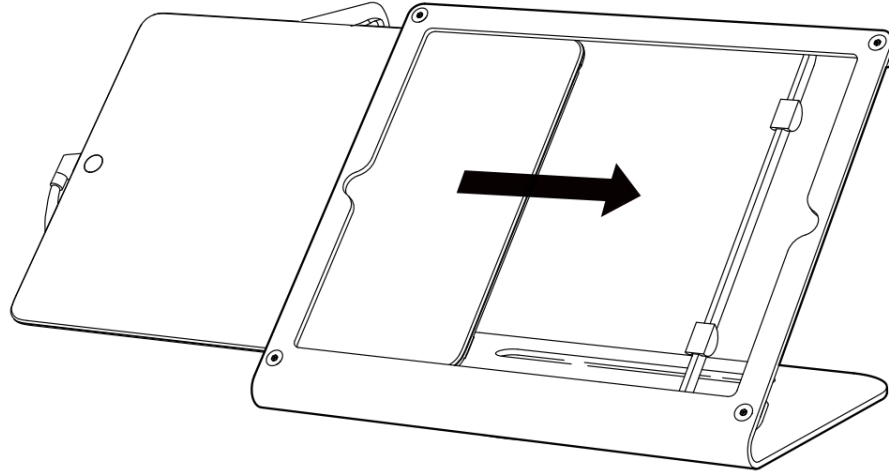
4 Swing bracket out



5 Route Lightning cable



6 Slide in the iPad



7 Tighten screws

