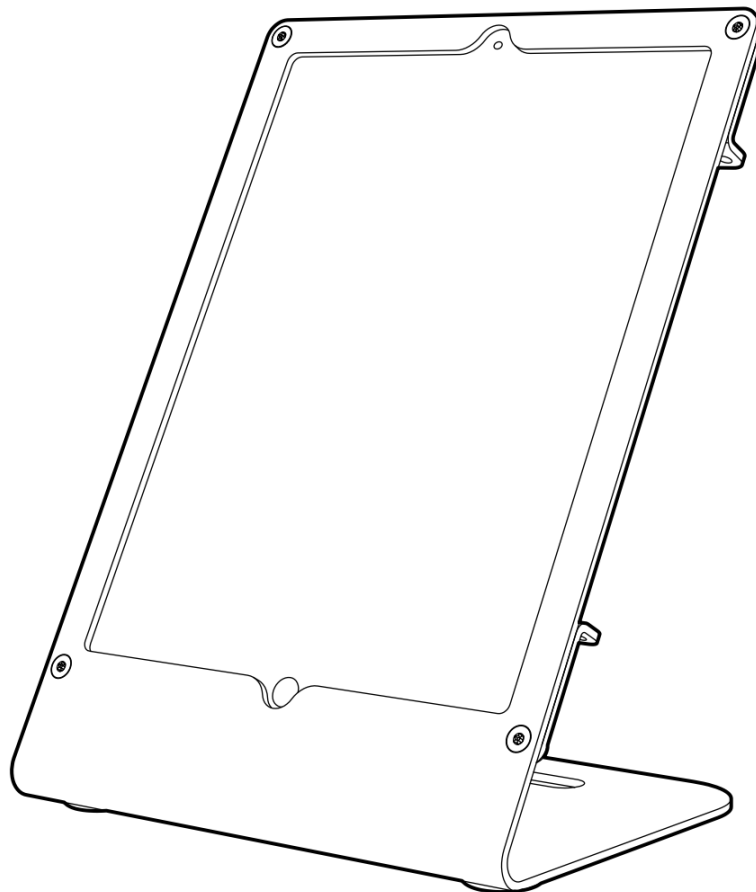







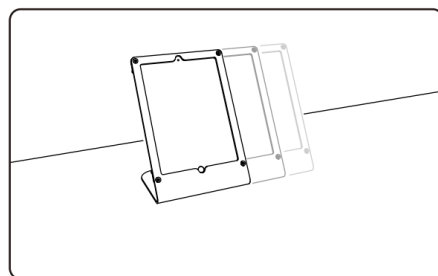
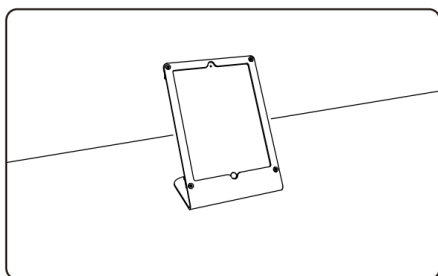
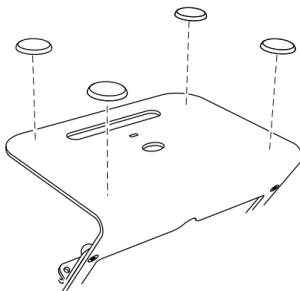
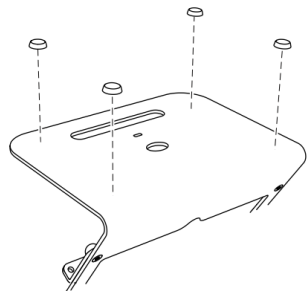
WindFall® STAND PORTRAIT

Secure Stand for iPad

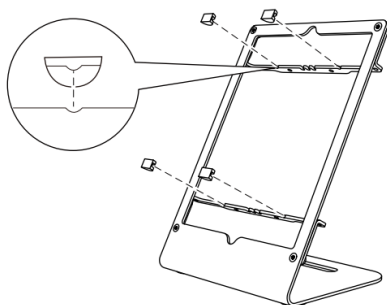
Assembly & Installation



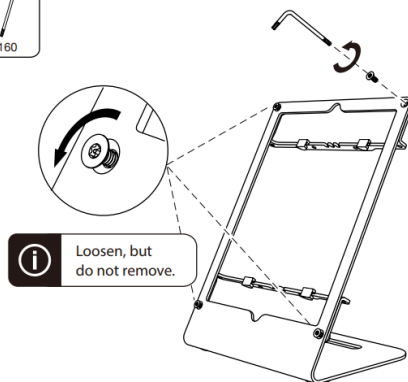
<p>1x </p>	<p>4x </p>	<p>4x </p>
<p>T10 Security Torx Key F160</p>	<p>Foam for iPad Fit Adapter Clip F250</p>	<p>Friction Feet S130</p>
<p>4x </p>	<p>4x </p>	
<p>Adapter Clips for iPad mini 4 E125</p>	<p>Felt Feet F581</p>	



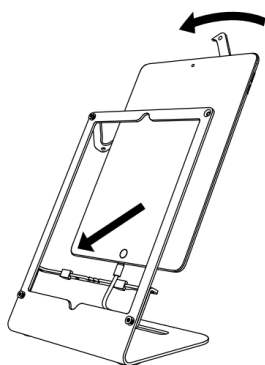
1



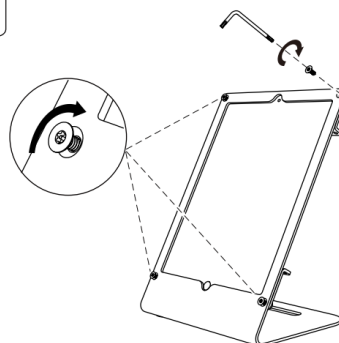
2



3



4



5

