

**Heckler AV**

# MULTI MOUNT

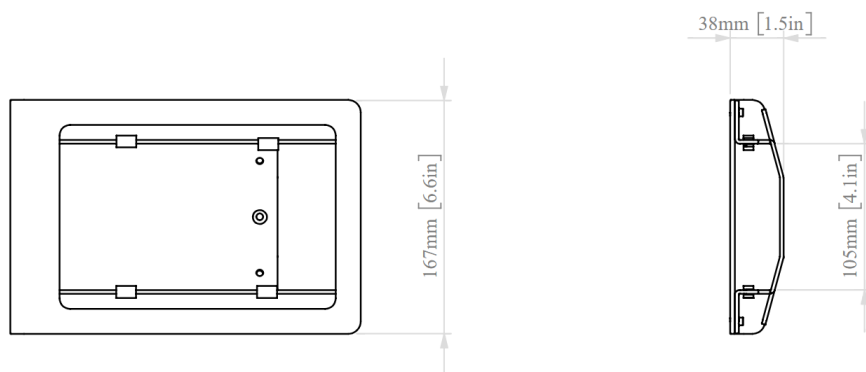
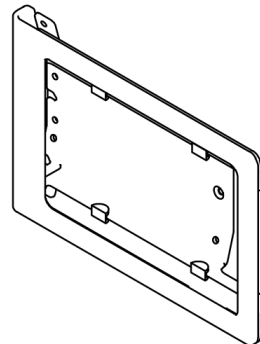
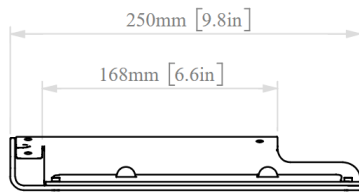
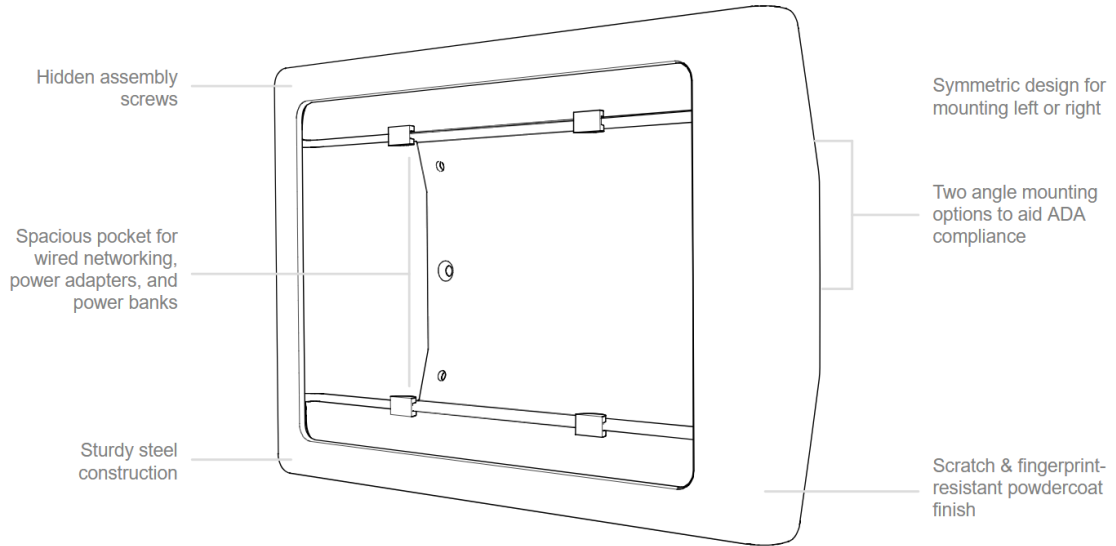
for iPad mini



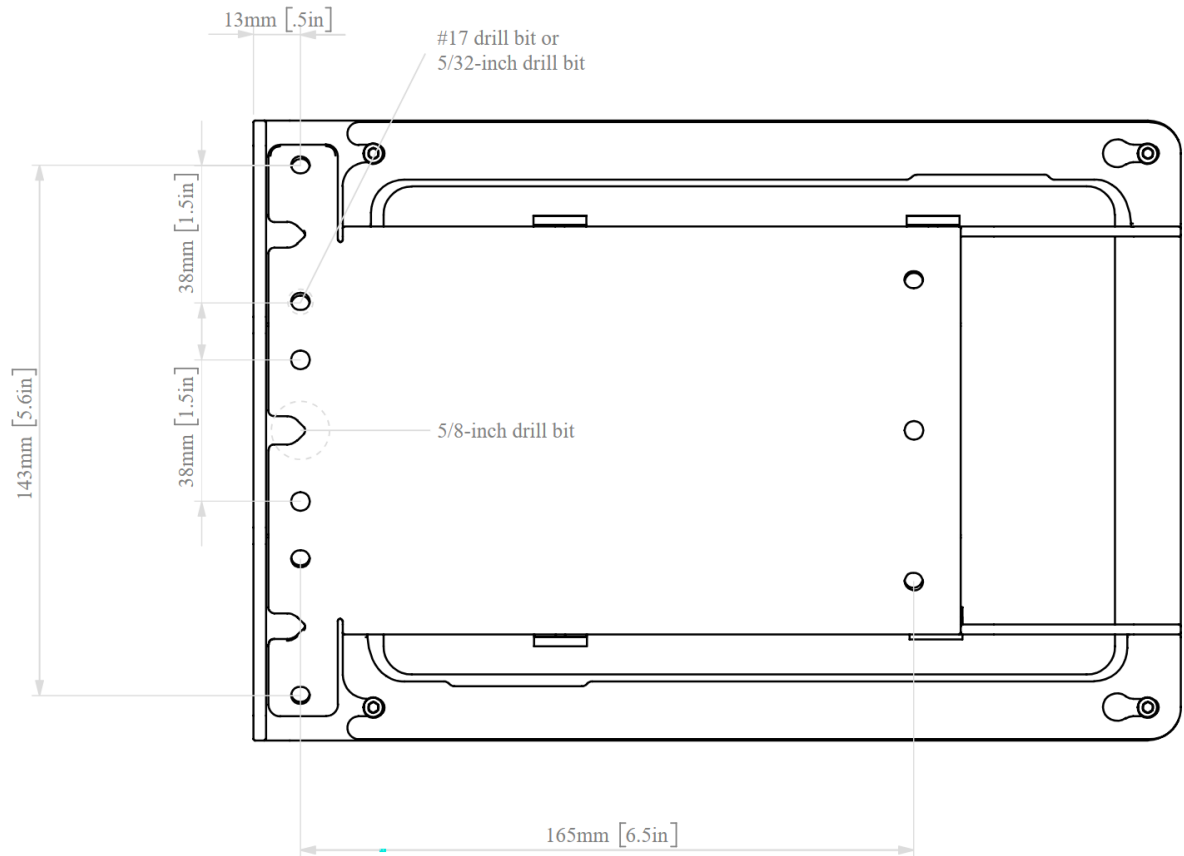
## ADA-friendly Room Scheduling Enclosure

Easily mount iPad mini to mullions and drywall to create beautiful room scheduling displays. Install vertically or at a 15-degree upward angle. Multi Mount features a hidden pocket to hide and store power and networking adapters (sold separately)—while maintaining a slim profile. Multi Mount features rigid, commercial-grade construction, simple installation, and an attractive and durable powder coat finish.

# Features & Dimensions



# Mounting Hole Dimensions





## Modern Profile

Multi Mount for iPad mini creates a modern esthetic outside of any meeting room. Optionally, Multi Mount can be installed with a 15-degree angle for comfort when mounted at an ADA-compliant height.



## Mount Left or Right

With Multi Mount's symmetric design you can mount to a mullion on the left or right side of the doorway. Its heavy steel construction creates an impressively rigid installation.



## Mount on The Dry Wall

Multi Mount installs securely to drywall. Drywall anchors and mounting screws are included. Both landscape and portrait mounting are supported.



## Designed For 24/7 Use

Multi Mount's open back maintains airflow to your iPad as it runs continuously at full screen brightness - to keep it running cool for years on-end. All buttons remain accessible. Use [iOS Guided Access](#) feature to disable buttons from unwanted use.



## PoE Easy

Power-over-Ethernet to your iPad devices need not be a hassle. With Multi Mount, you can tuck your favorite PoE splitter in the rear pocket and access it quickly, without the need to disassemble the mount.



## Power + Data with Redpark Adapter

Pair your Multi Mount with Red Park Gigabit PoE Adapter (sold separately) to provide both power and data to your device. This MFI-certified (Apple approved) adapter will keep your tablet powered throughout the day and provide a reliable Ethernet connection that supports speeds up to 225 Mbps.

# Specifications

Dimensions	Width: 9.8 inches Depth: 1.5 inches Height: 6.6 inches
Weight	3 lbs
Materials	Powder Coated Steel
Compatible Devices	iPad mini 1, iPad mini 2, iPad mini 3, iPad mini 4
Compatible Apps	Robin, Teem, Zoom