

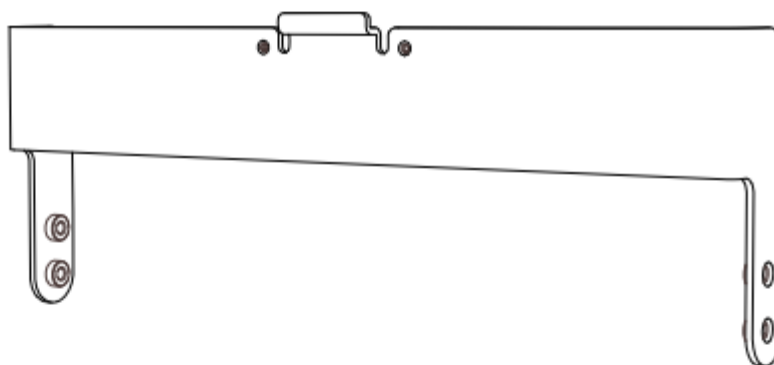
Heckler AV

LOGITECH MEETUP

BRACKET

Mounting Bracket for Heckler AV Cart

Assembly & Installation



Compatible with

Logitech MeetUp and Heckler AV Cart

Limited Warranty

Heckler Design warrants your product to be free from defect in material and workmanship for a period of two years from the original date of purchase. Electronic components are warranted to be free from defect for a period of one year from the original date of purchase. If you discover a defect, please contact service@hecklerdesign.com. Heckler Design will repair, at our discretion, using new or refurbished components. If repair is not possible, Heckler Design will replace the item.

1:1

2x



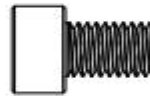
Cable zip ties
F530

2x



Bracket security screws, (6-32, 3/8 inch)
F546

4x



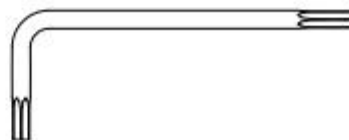
Bracket installation screws, (5/64, 2 inch)
F522

1x



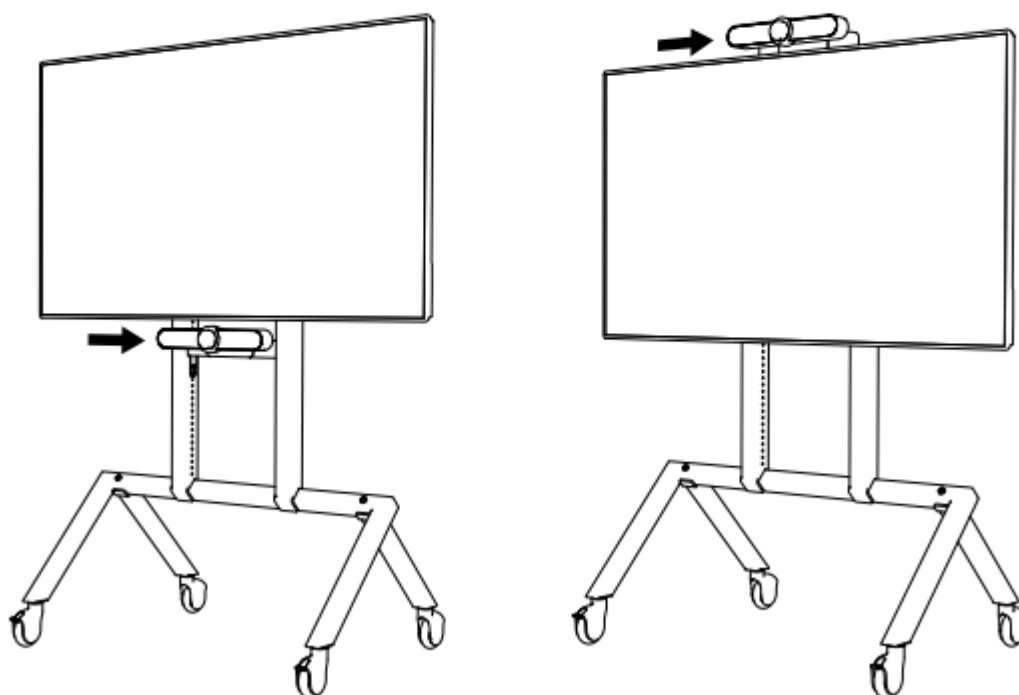
Bracket assembly tool, (5/64, 2 inch)
F523

1x

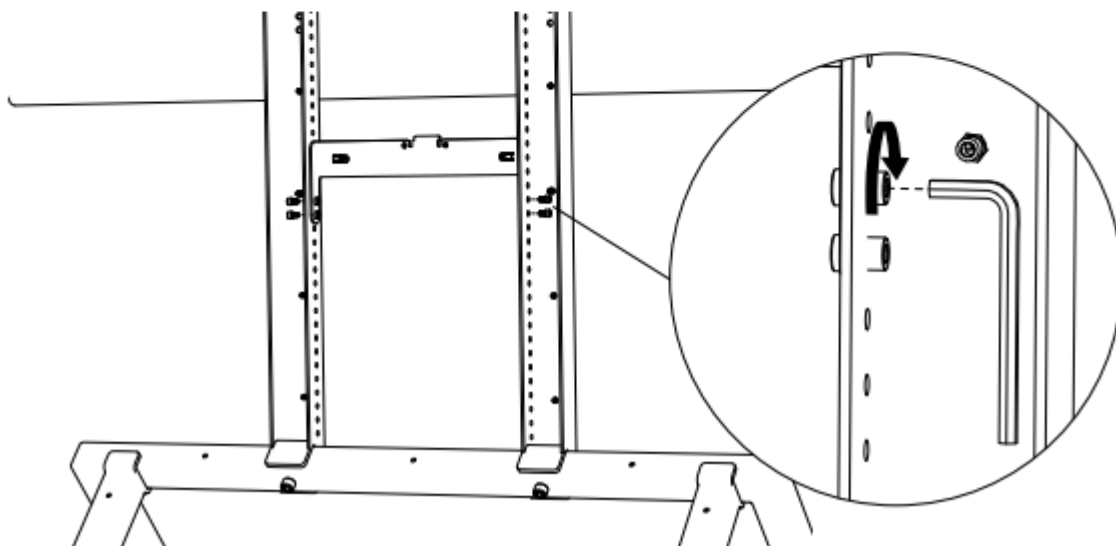
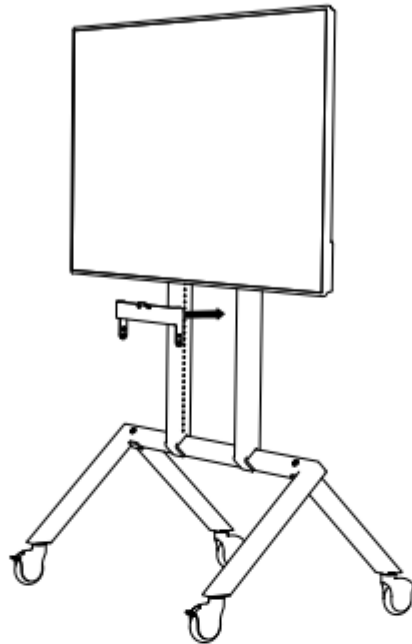


Bracket security tool (2 inch)
F160

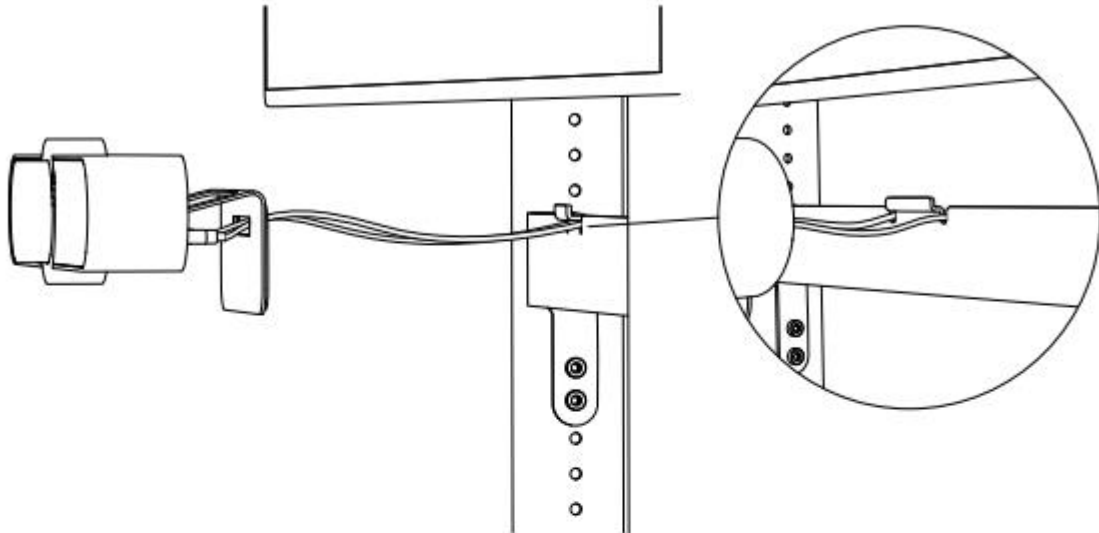
1 Select installation position for MeetUp camera



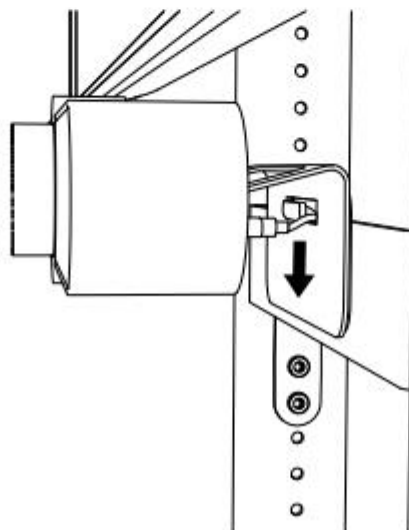
2 Install bracket to Heckler AV Cart



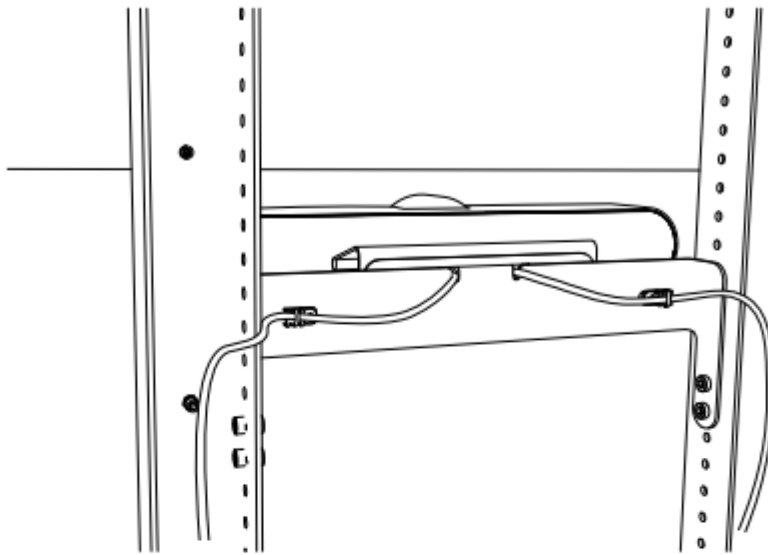
3 Channel cables through MeetUp base



4 Hang Logitech Meetup on bracket lip



5 Route cables down AV Cart vertical arms



5 Secure Meetup

