

# MULTI MOUNT

for iPad mini



## ADA-friendly Room Scheduling Enclosure

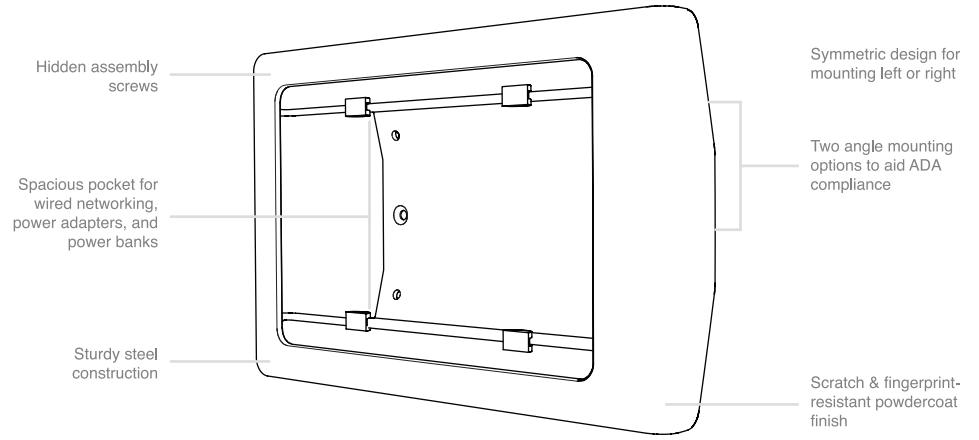
Easily mount iPad mini to mullions and drywall to create beautiful room scheduling displays. Install vertically or at a 15-degree upward angle. Multi Mount features a hidden pocket to hide and store power and networking adapters (sold separately)—while maintaining a slim profile. Multi Mount features rigid, commercial-grade construction, simple installation, and an attractive and durable powder coat finish.

# MULTI MOUNT

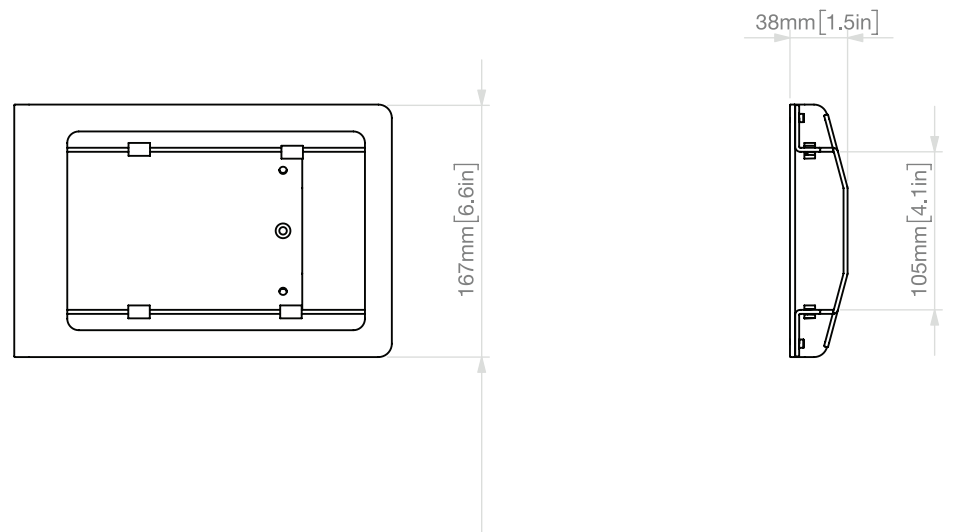
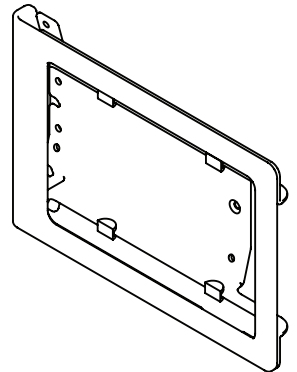
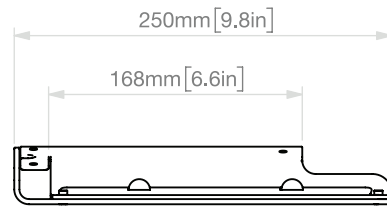
H527

for iPad mini

## Features



## Dimensions

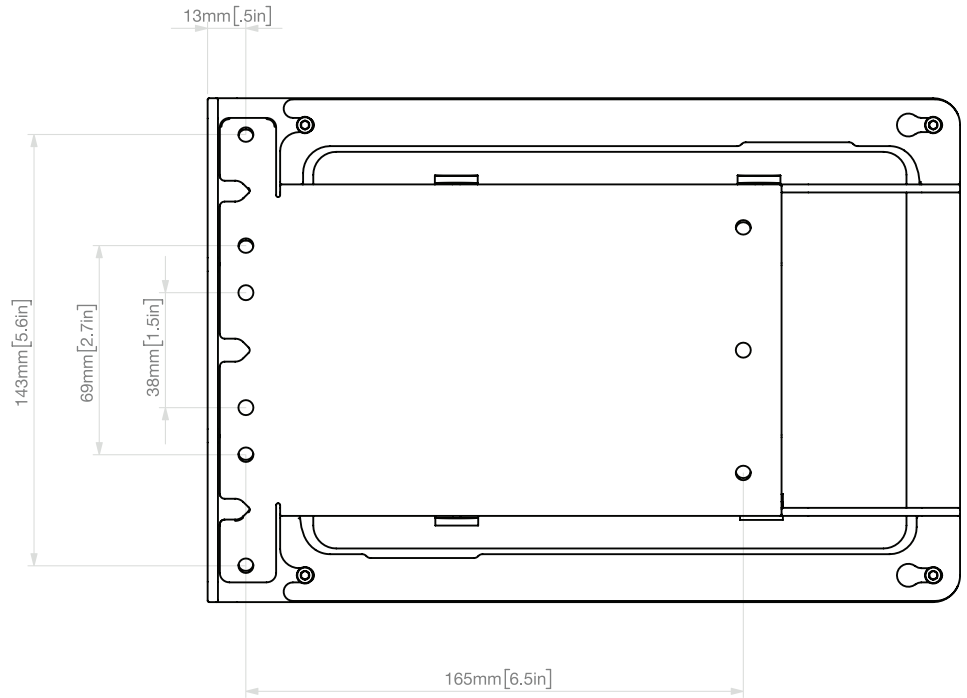


# MULTI MOUNT

H527

for iPad mini

## Mounting Hole Pattern



# MULTI MOUNT

H527

for iPad mini

---

## Specifications

<b>SKU</b>	H52
<b>Height</b>	7.9 in
<b>Width</b>	11.3 inches
<b>Depth</b>	1.5 inches
<b>Weight</b>	3 pounds
<b>Viewing Angle</b>	0, 15 degrees
<b>Warranty</b>	2 years

---

## Colors

<b>Name</b>	<b>SKU</b>	<b>UPC</b>
Black Grey	H527-BG	600978413491
Grey White	H527-GW	600978413507

---

## Compatible Devices

iPad mini 1  
iPad mini 2  
iPad mini 3  
iPad mini 4

---

## In the Box

WindFall Multi Mount for iPad mini  
Self-tapping mullion mounting hardware  
Drywall mounting hardware  
Assembly tool

---

## Accessories

T267 - Redpark Gigabit + PoE Adapter for iPad  
T255 - PoE Texas PoE Splitter with Lightning Cable (Encased Power + Data)