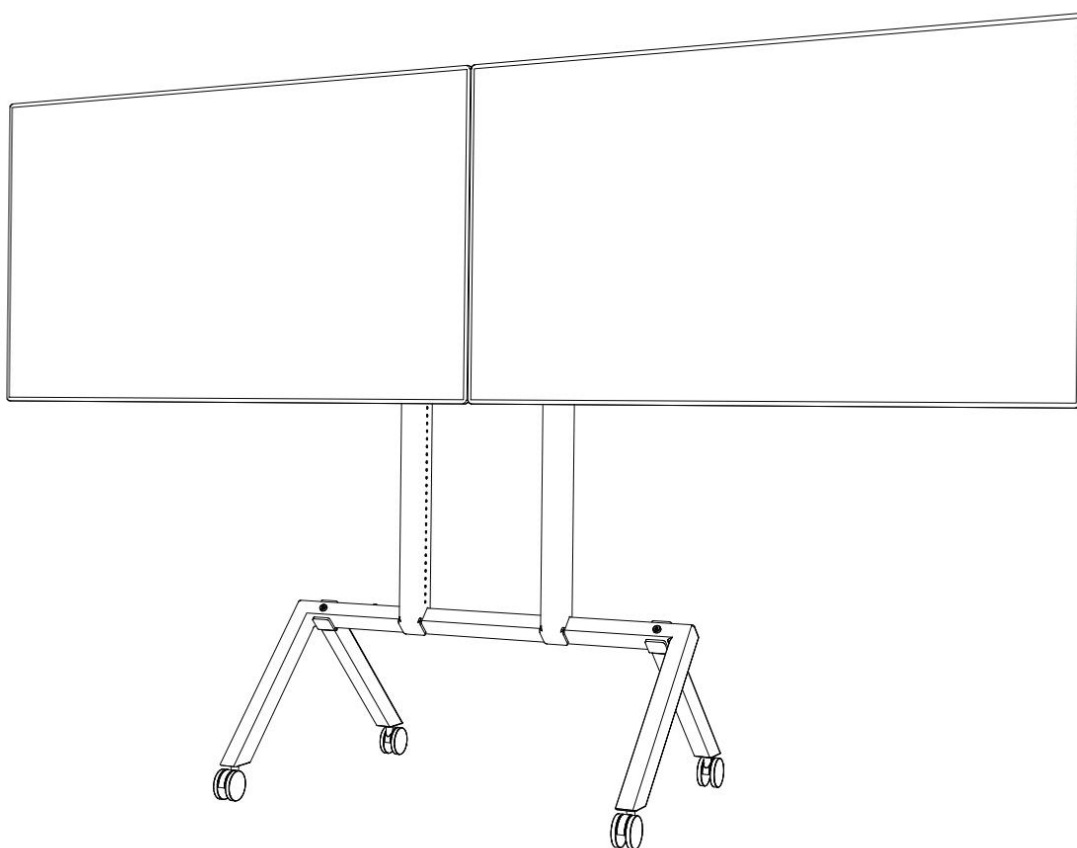


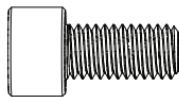
Heckler Dual Display AV CART

Assembly & Installation



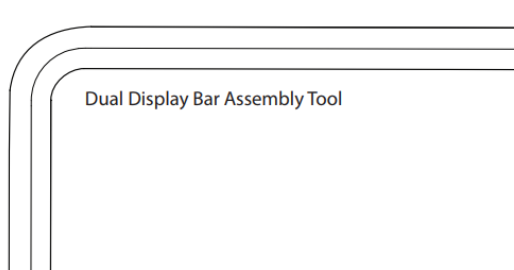
1:1

8x



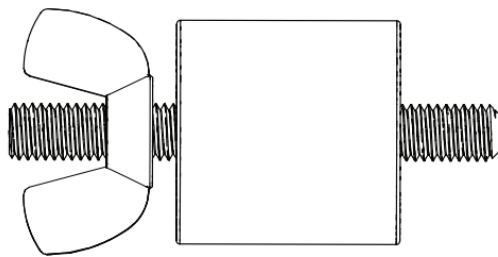
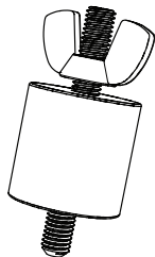
Dual Display Bar Mounting Screw

1x



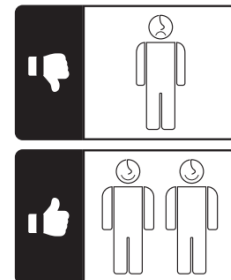
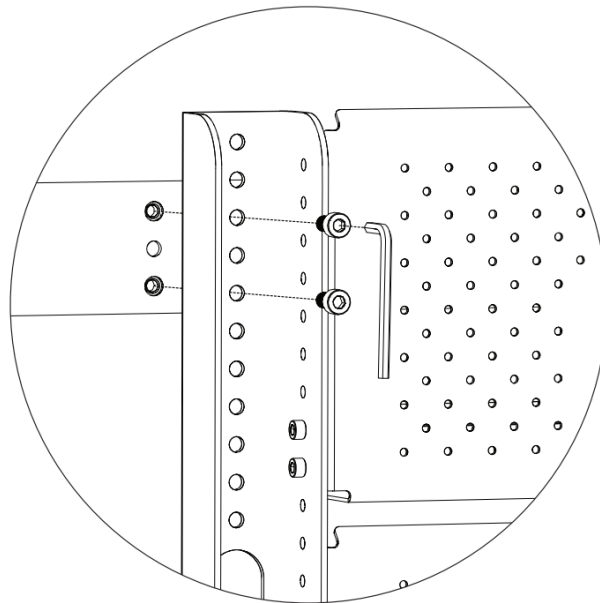
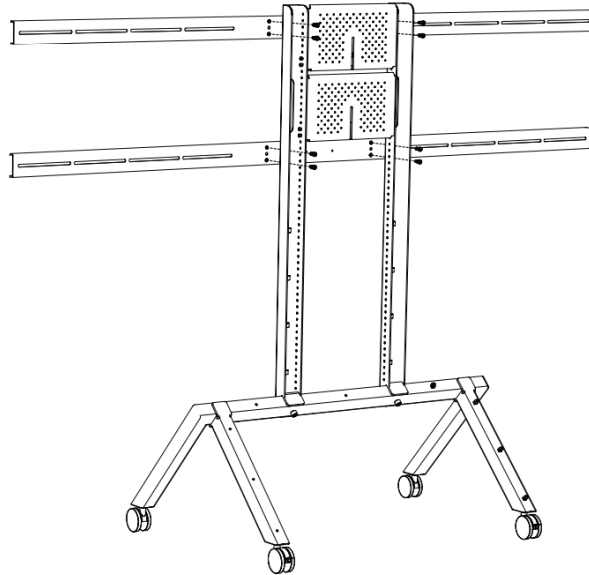
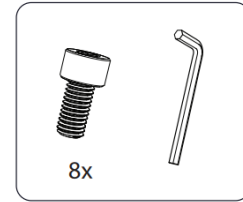
Dual Display Bar Assembly Tool

4x

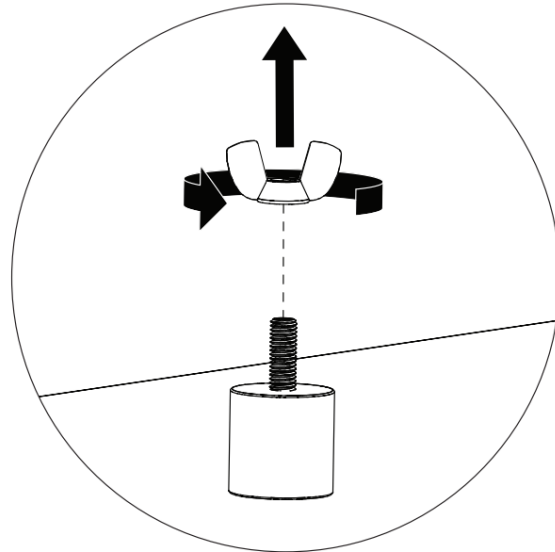
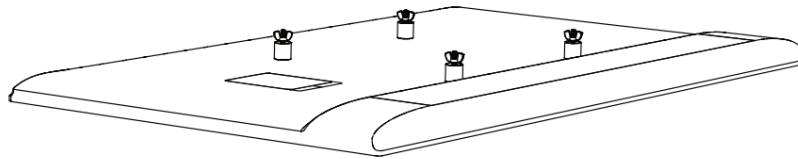
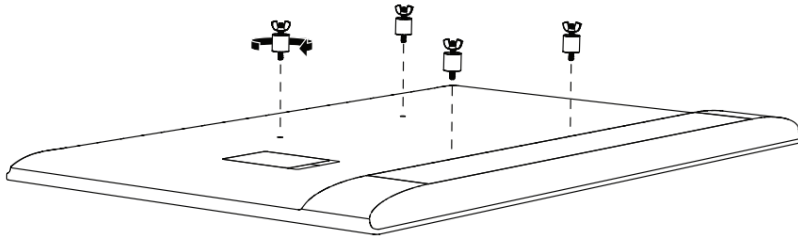
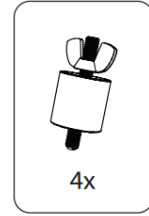


TV Mounting Hardware

1 Install Dual Display bars to vertical arms



2 Install TV mounting hardware to displays



3 Mount displays to Dual Display bars

