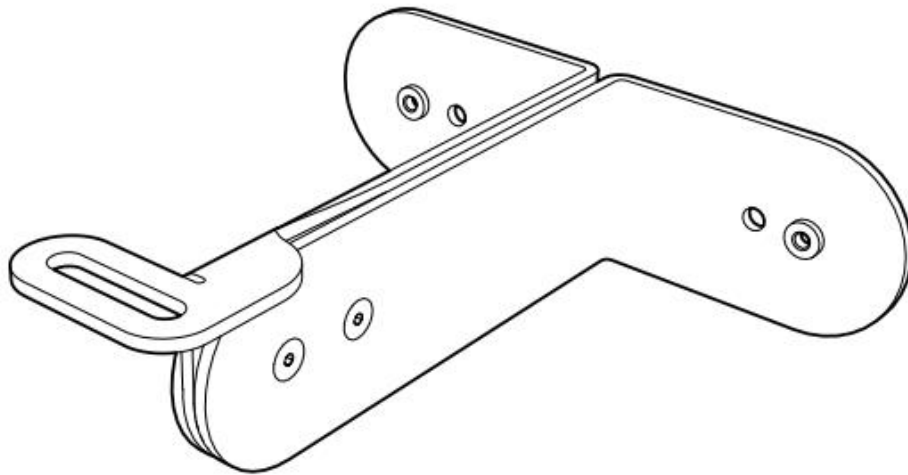


Heckler CAM MOUNT



Assembly & Installation



Compatible with:

Panacast, Panacast 2, AVer Cam520, AVer Cam530, AVer VC520, AVer All-in-One, Logitech

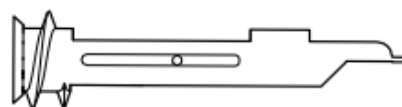
ConferenceCam Connect, Logitech ConferenceCam BCC950, Logitech ConferenceCam CC3000e, Logitech Group ConferenceCam, Logitech PTZ Pro, Logitech Webcam c930a, Logitech HD Pro Webcam C920, Logitech Brio

Limited Warranty

Heckler Design warrants your product to be free from defect in material and workmanship for a period of two years from the original date of purchase. Electronic components are warranted to be free from defect for a period of one year from the original date of purchase. If you discover a defect, please contact service@hecklerdesign.com. Heckler Design will repair, at our discretion, using new or refurbished components. If repair is not possible, Heckler Design will replace the item.

1:1

2x



Drywall Anchor
F539

2x



Drywall Screw
F540

1x



Camera Mounting Screw
1/4" - 20, 5/16" Long
F555

1x



Camera Mounting Screw
1/4" - 20, 3/8" Long
F556

2x



Cart Mounting Screw - M4
F542

1:1

1x



Length Adjustment Tool - 5/64" Hex Key
F165

1x



Mounting Tool for Heckler AV Cart
- 3mm Hex Key
F537

1x

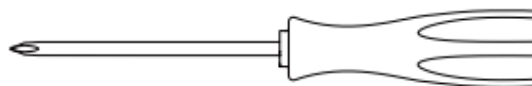
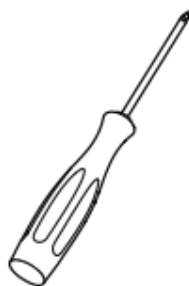


Camera Mounting Tool - 3/16" Hex Key
F545

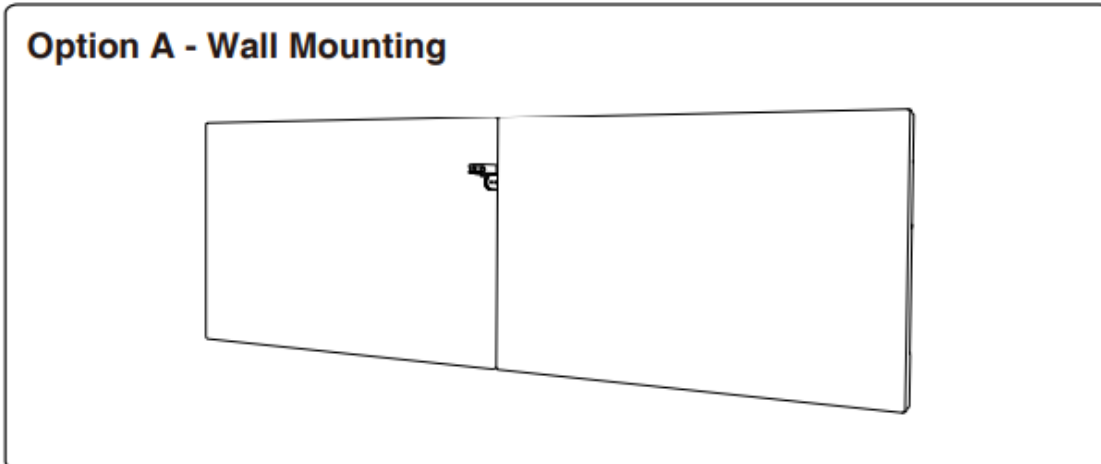
2x



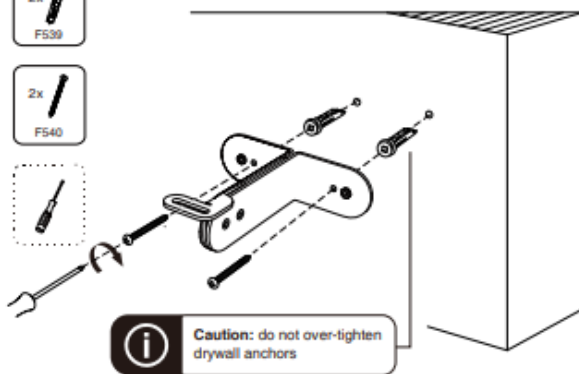
Screw Cap
E123



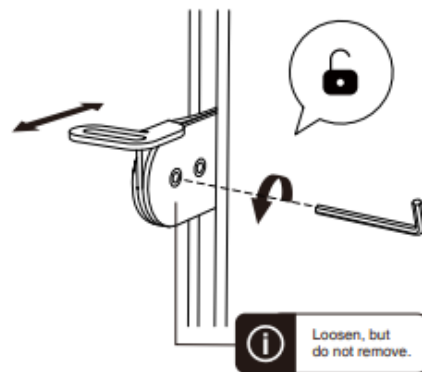
Phillips Head Screwdriver



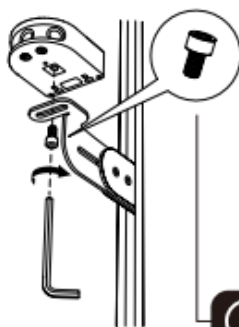
1



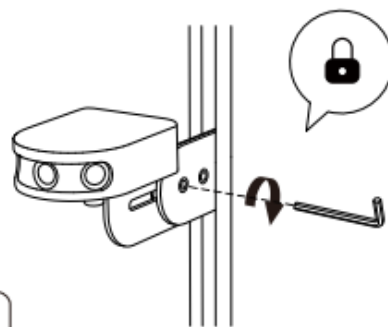
2



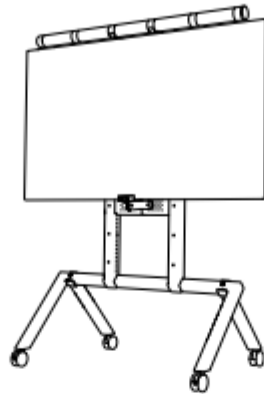
3



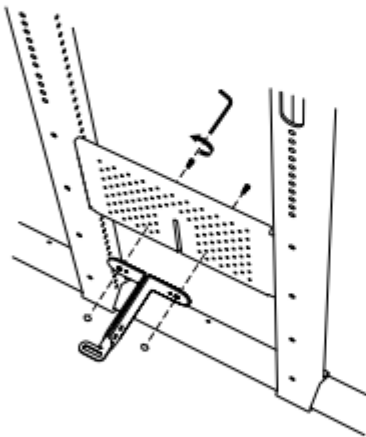
4



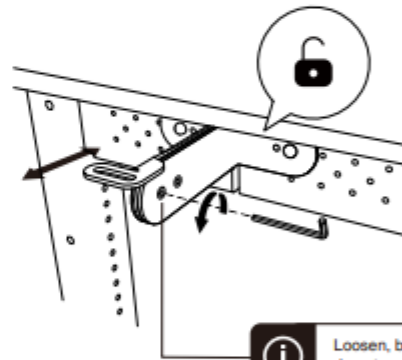
Option B - Mount to Heckler AV Cart



1

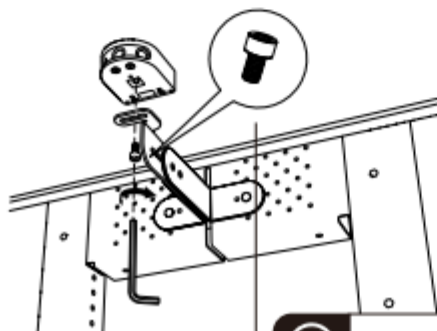


2



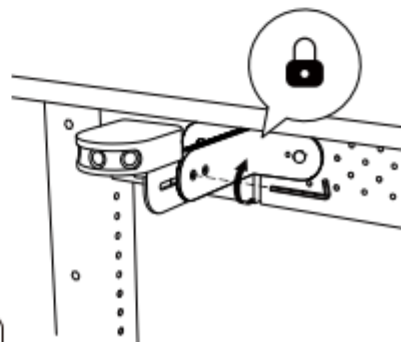
i Loosen, but do not remove.

3

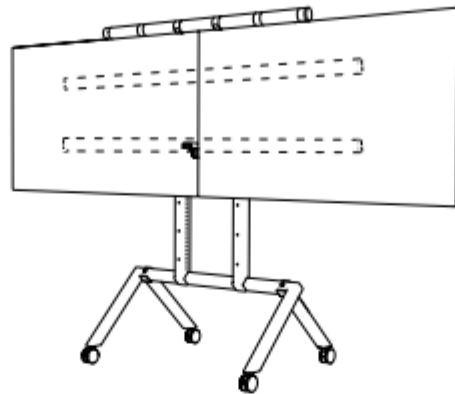


i Select the Camera Mounting Screw that works best with your camera.

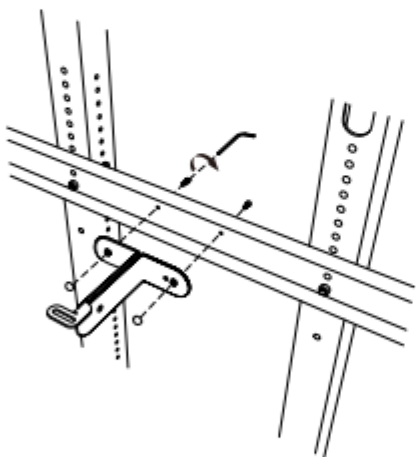
4



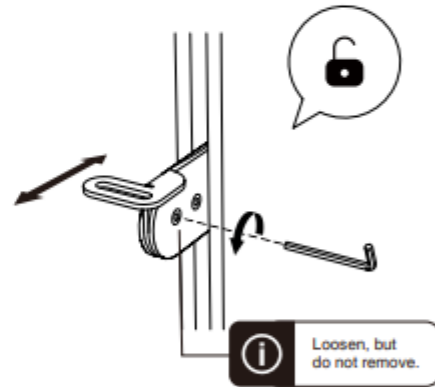
Option C - Mount to Heckler AV Cart - Dual Screen Bracket



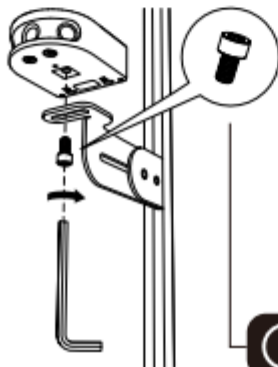
1



2



3



4

