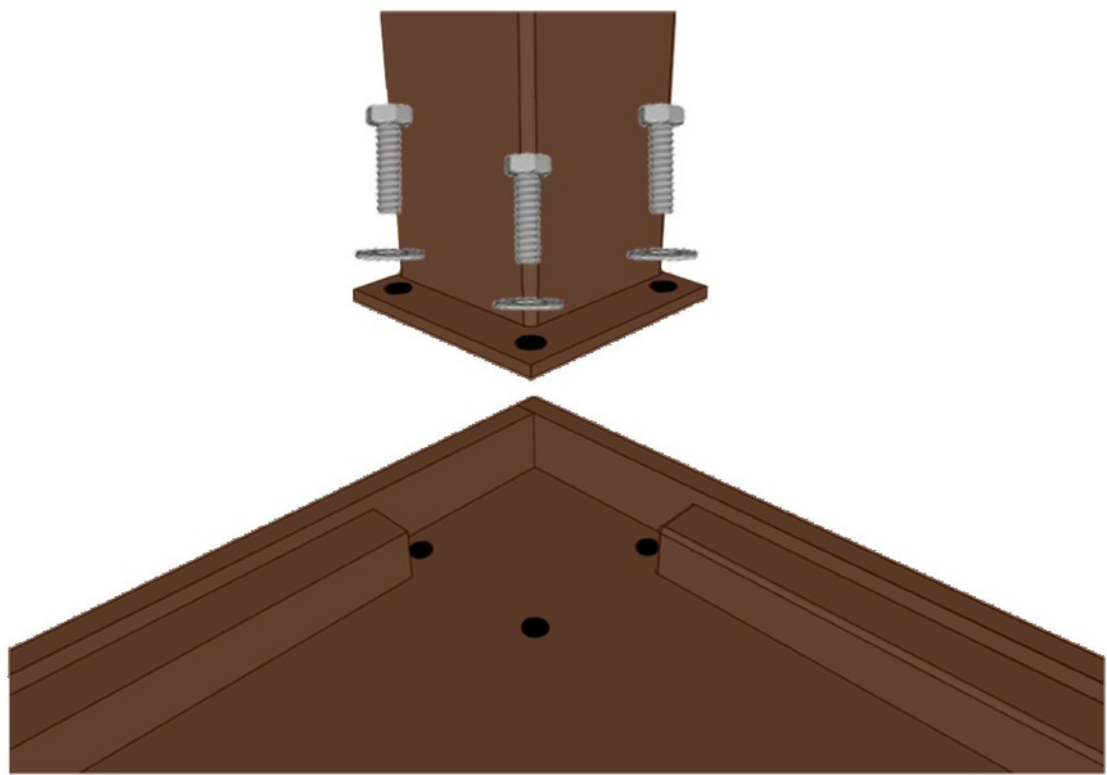
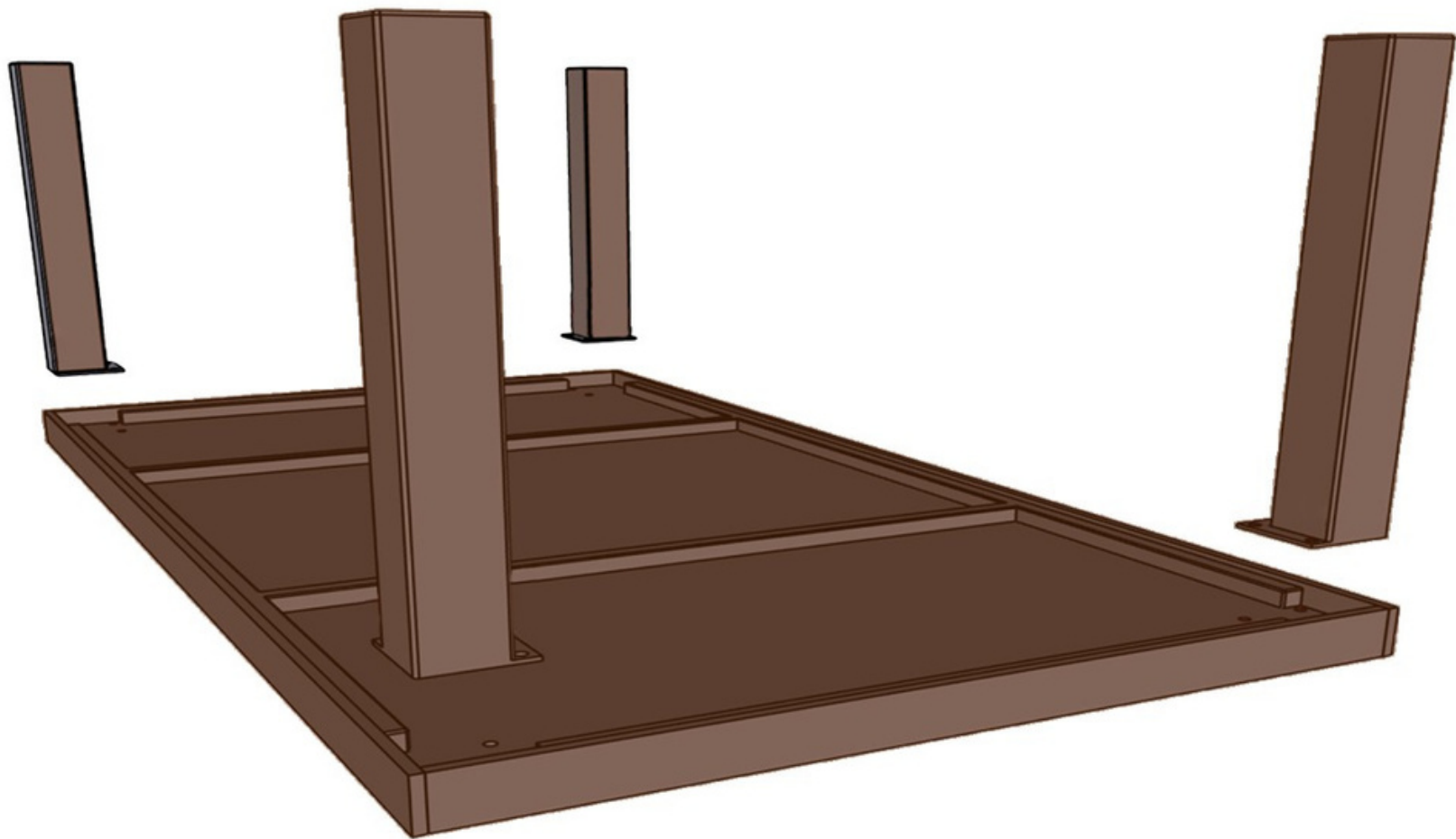




Wood Leg Dining Table Assembly



Included



12 1.5" 5/16-18 bolts
12 washers

Required



Crescent wrench or 1/2 inch socket wrench

Instructions

Align legs and tighten bolts fully

Need anything else? As ever, we are at your service at hello@kasecustom.com.