



FX100

Bluetooth speaker



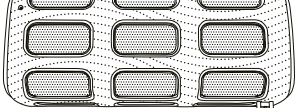



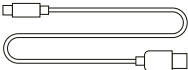
User's Manual

Please read this
manual before
using the product

Thank you for choosing TREBLAB FX100!

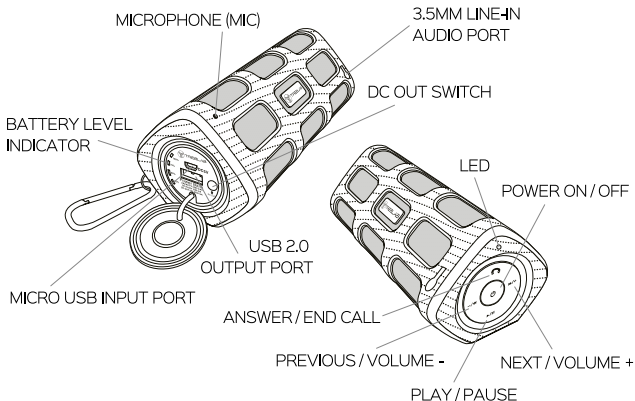
This speaker provides superior sound quality and mobility combined with rugged construction and the convenience of hands-free wireless operation.

WHAT'S IN THE BOX

-  1. User's manual
-  2. Insert card
-  3. Speaker
-  4. Carabiner
-  5. 3.5mm Audio cable
-  6. Round TREBLAB sticker
-  7. Charging cable

FX100

BUTTONS AND PARTS



Function	Operation
Power ON	Press and hold the POWER button for 3 seconds.
Power OFF	Press and hold the POWER button for 2 seconds.
Play/Pause	Press the PLAY/PAUSE button.
Volume +	Press and hold the VOLUME + button.
Volume -	Press and hold the VOLUME - button.
Next track	Press the VOLUME + button.
Previous track	Press the VOLUME - button.
BASS BOOST mode	Short press the POWER to improve bass reproduction when using outdoors.
Answer/End a phone call	Press and hold the PHONE button during the incoming call.
Reject a phone call	Press twice the PHONE button.
Voice assistant activation	Press twice the PHONE button while speaker connected to smart device.
TWS mode	Press twice the PHONE button on one of the FX100 speakers while both of them are turned on and not paired. This will be the main speaker that connects

	to the source device. The distance between them should not be over 3 feet/1 meter.
FM mode	Press twice the POWER button while FX100 is turned ON.
Scan FM channels	Press the PLAY / PAUSE button while FX100 is in FM mode.
Next / Previous FM channel	Press the VOLUME+ / VOLUME - button to choose Next / Previous FM channel while FX100 is in FM mode.

Disconnect from the source device - Press the **PLAY / PAUSE** button for 2 seconds.

SETTING UP YOUR FX100

Turn ON

Press and hold the **POWER** button for 3 seconds. You will hear the "BLUETOOTH MODE" voice prompt and the BLUE and RED LED light will start flashing.

Turn OFF

Press and hold the **POWER** button for 2 seconds. You will hear the “POWER OFF” voice prompt and the flashing BLUE LED light will turn OFF.

WIRELESS PAIRING

Make sure **TREBLAB FX100** is charged and that the 3.5mm audio cable is not plugged in.

1. Turn on your speaker by pressing and holding the **POWER** button for 3 seconds. You will hear the “POWER ON” and “BLUETOOTH MODE” voice prompt and the LED light will start flashing RED and BLUE indicating that the speaker is in pairing mode.
2. Activate the Bluetooth mode on your smart device.
3. Select **TREBLAB FX100** from the available Bluetooth devices list. Keep it within 3 feet / 1 meter from the speaker while pairing.
4. If necessary, enter the passcode 0000.
5. Once **FX100** is successfully paired and connected, you will hear the “CONNECTED” voice prompt and the LED will light up BLUE.

REPAIRING

After the initial pairing, the speaker will automatically connect to the previously paired device when turned on again. If the reconnection does not happen automatically, the speaker will start looking for any other previously paired device within the effective distance range. **TREBLAB FX100** can save up to 2 recently paired devices.

TRUE WIRELESS STEREO (TWS) - PAIRING TWO SPEAKERS

- ✔ Place two **FX100** (BT5.0 version) speakers near each other (the distance should not be over 3feet / 1meter)
- ✔ Power on both speakers. You will hear the “POWER ON” and “BLUETOOTH MODE” voice prompts.
- ✔ Press twice the **PHONE** button on any of the speakers this speaker will be the main one. After some time you will hear the “LEFT CHANNEL” and “RIGHT CHANNEL” prompts from TWS connected speakers.

NOTE: While the speakers are TWS paired, you can manage their functions using the buttons on both of them. You can disable the TWS mode by turning off one of the speakers or turning on the FM/Line-in mode on any of them.

AUDIO PLAYBACK

To pause and resume the playback when connected wirelessly, press the **PLAY / PAUSE** button.

To adjust the volume, press and hold the **VOLUME +** or the **VOLUME -** button while listening to music.

To change the track on **FX100**, press the **VOLUME +** or the **VOLUME -** button.

PHONE CALLS

TREBLAB FX100 can be used to make and receive phone calls when connected wirelessly. Audio playback will be paused during the calls.

To Answer a call:	Press the PHONE button.
To Reject a call:	Press and hold the PHONE button for 2 seconds during the phone call.
To End a call:	Press the PHONE button during the phone call.
Multicalls*:	Press shortly the PHONE button to answer the first call. When the second one is incoming, press

the **PHONE** button to pick it up. The first call will enter into the hold on status. Press the **PHONE** button again to end the current (second) call. Press shortly again to hang up the first one.

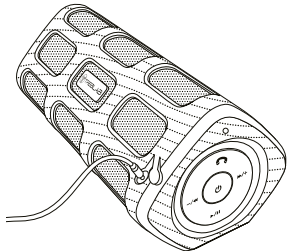
*- To be able to use this option, your device needs to support the multicalls management.

NOTE: For the better call quality, speak into the microphone.

LINE-IN MODE. AUDIO CABLE CONNECTION

You can connect **TREBLAB FX100** to compatible devices using the supplied 3.5mm audio cable. Turn on the speaker. Plug one end of the 3.5mm audio cable into the 3.5mm cable port on the edge of the speaker (under the cover) you will hear the "LINE-IN MODE" prompt. Plug the other end into the 3.5mm jack on your device.

Now you can play music and audio.



NOTE: On-device control is not supported for the VOLUME, NEXT, PREVIOUS and PAUSE functions when using the 3.5mm audio cable. Phone calls management using the PLAY / PAUSE button is not supported. To make adjustments, you will need to use your smart device.

FM MODE

TREBLAB FX100 supports the FM listening feature. FM mode can be turned on from both the Line-in and Bluetooth modes by pressing twice the **POWER** button. For a good level of FM signal, you will need to plug the 3.5mm audio cable. Only with the connected 3.5mm audio cable, you can receive the needed signal level!

To scan for available FM channels, press the **PLAY / PAUSE** button. After scanning you can change FM channels by pressing the **VOLUME+ / VOLUME-** button.

NOTE: If after connecting with the 3.5 mm audio cable, the speaker turned to Line-in mode, just press the **POWER** button twice to return to FM mode.

SOUND MODES

TREBLAB FX100 speaker is equipped with BASS BOOST mode to improve the bass reproduction when using it outdoors. Just short press the **POWER** button to enable BASS BOOST mode.

CHARGING

The **FX100** speaker comes with a 7200 mAh rechargeable battery. One full battery charge provides up to 16 hours of playtime at maximum volume and up to 35 hours at 35% volume. When the battery is running low, you will hear a voice prompt.

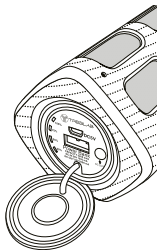
TREBLAB FX100 may be used while charging in Bluetooth mode, FM-mode, and Line-in 3.5 mm audio cable mode. Also, you can use the speaker while it is used as a power bank.

To charge the speaker, plug one end of the cable supplied into the Micro USB input charging port under the rubber cover at the side of the speaker. Plug the other end of the charging cable into a standard USB port or wall adaptor. It takes up to 10 hours to fully charge.

Be sure to use 5V, 2A adapter or charger. Using a power source with lower power will increase the overall charging time. If the speaker is left unused, even the fully charged battery will lose its charge over time. We recommend charging **TREBLAB FX100** fully at least twice a month to maintain the sufficient battery life.

The **FX100** speaker is equipped with charge level indicators - LEDs. The current charge level is displayed while charging.

1. Charge level is between 0% and 25%: the 25% indicator will begin to flash.
2. Charge level is between 25% and 50%: the 50% indicator will begin to flash.
3. Charge level is between 50% and 75%: the 75% indicator will begin to flash.
4. Charge level is between 75% and 100%: the 100% indicator will begin to flash.



POWER BANK MODE

TREBLAB FX100 inbuilt battery can be used as a power bank to charge your smartphone or tablet.

1. Connect your device to the speaker by plugging your device's charging cable into the USB 2.0 output port at the side of **FX100**.
2. Press the **DC OUT** button to start charging. LEDs that correspond to the current battery charge level will light up.
3. There is no LED indication signal when the smart device is fully charged. Please pay attention to your device's battery charge indicator during the charging time.

TROUBLESHOOTING

Problem	Solution
Not powering on	Make sure the speaker is charged. Charge for 10 hours for a full charge, if necessary. Press and hold the POWER button for 3 seconds.
Not pairing	Make sure the 3.5mm audio cable is not plugged in. Make sure the speaker is not paired with any other

Disconnect the speaker from your device by pressing and holding the PLAY / PAUSE button for 2 seconds and remove **TREBLAB FX100** from your device's pairing list. Try to pair again.

Not finding a wireless driver on your laptop

Make sure your laptop supports a Bluetooth connection. If it doesn't, you will need an external wireless USB adapter compatible with your laptop. For further details, consult with your laptop manufacturer.

Frequent disconnection and noise

Make sure that the distance between your device and the speaker is less than 33 feet / 10 meters. Make sure that nothing is blocking the signal between your device and **FX100**. Check if the speaker is running out of power.

RECYCLING

The speakers can be recycled, and they should be in order to keep our planet clean. Where should you bring them?

In the **US**, there are a couple of options:

1. Best Buy has a recycling program. Just take the broken speaker with you next time you visit a Best Buy store. This link will help you find the best location:

<https://www.bestbuy.com/site/store-locator/>

2. Check for other possible locations near you on these websites (just enter your ZIP to find a location):

<https://www.call2recycle.org>

<https://search.earth911.com>

<https://recyclenation.com/find>

<https://www.cta.tech/Consumer-Resources/Greener-Gadgets>

In **Canada**, please visit the link below for help:

<https://thinkreuse.net>

<https://www.call2recycle.ca>

In **UK**, please visit the links below for help:

<https://www.recycle-more.co.uk/>

<https://www.recyclenow.com/local-recycling>

SAFETY RULES

- ✔ Don't disassemble or modify your speaker for any reason. Doing this may cause the speaker to malfunction or become combustible. The damage to your device can void the manufacturer's warranty.
- ✔ Make sure the speaker is completely dry before charging.
- ✔ Clean only with a dry cloth.
- ✔ Avoid exposing **TREBLAB FX100** to extreme temperatures (below 37°F / 3°C or above 112°F / 45°C). Extreme temperatures can cause the deformation of the **FX100** components and reduce the battery life and the lifespan of your new speaker.
- ✔ Don't put the device's LED lights close to humans' or animals' eyes.
- ✔ Do not use **FX100** during a thunderstorm. Thunderstorms can cause serious malfunction and increase the risk of electric shock.

SPECIFICATIONS

Battery:	Up to 35 hours playtime (moderate volume) Up to 16 hours (100% volume) 7200 mAh 3.7V, rechargeable Li-Ion Input 5V / 1A, Output 5V / 1A
Charging time:	Up to 10 hours
Wireless connection version:	5.0, HFP, A2DP, AVRCP, GAVDP, AVDTP, SPP, AVCTP
Signal Range:	33ft / 10m
Output power:	5W x 2
Frequency response:	80Hz–20KHz
Water resistance:	IPX4
Power/Charging ports:	USB 2.0, Micro USB
Voice assistant activation:	Supported by the double press of the PHONE button
Dimensions:	2.75 x 2.75 x 7 inches / 70 x 70 x 180mm
Weight:	1.34lbs / 609g

THANK YOU

We truly appreciate that you chose **TREBLAB** as your trusted brand of Bluetooth speakers and sincerely hope you enjoy the great sound and seamless usability **TREBLAB FX100** provides. We love making our customers happy by providing true value with our products. If for any reason you are not completely satisfied with your purchase or have any questions, please visit www.treblab.com/contact_us. We care about our customers most of all and are always here to serve you.

1 YEAR WARRANTY

Parts and Labor Warranty.

Please visit www.treblab.com
to register YOUR product.

Manufactured by: Productech Corp



TREBLAB

FX100

BLUETOOTH SPEAKER



Made in China