

Level 10 (LO Power +10 dBm)

Case PN: 6UDD2W6S1P3

Features:

- **Frequency Range: 750 MHz to 6000 MHz**
- **Low insertion loss, 6.2 dB typ.**
- **LTCC double balanced mixer**
- **Useable as up and down converter**
- **High Quality Isola-Tera RF PCB (very low loss and high thermal performance)**
- **ROHS Compliant**
- **Operating Temp. (-40°C to 85°C)**
- **Storage Temp. (-55°C to 100°C)**
- **Maximum RF Power 50mW**

Applications:

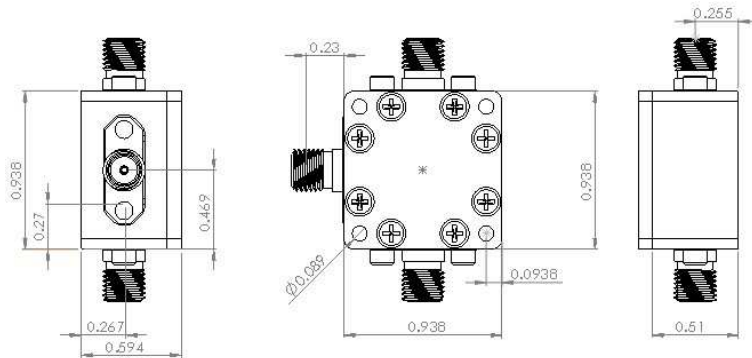
- **Satellite up/down converter**
- **Mobile Infrastructure**
- **VSAT/ISM**
- **General Purpose Wireless**
- **SDR & Ham Radio**
- **Test Instrumentation**

Product Overview:

MIX750M6G is a Level 10 (LO Power +10dBm) passive wide band frequency mixer (750 to 6000 MHz) in a small 15/16"x15/16"x0.59" shielded RF enclosure (PN: 6UDD2W6S1P3). It has low insertion loss (6.2 dB typ.) and excellent IF BW (DC to 1.5GHz). It can be used for up and down converter.



Outline drawing (inch)



Electrical Specifications:

Item	Frequency (MHz)		Conversion Loss (dB)		LO-RF Isolation (dB)		LO-IF Isolation (dB)		IP3 (dBm) at center band
	LO/RF ($f_L - f_U$)	IF	Typ.	Max.	Typ.	Min.	Typ.	Min.	Typ.
1	750-6000	DC-1500							
2	750-1700		6.3	7.3	37	31	30	20	12
3	1700-2000		6.6	7.5	37	32	20	12	18
4	2000-3100		5.8	7.2	32	25	22	12	12
5	3100-3800		5.7	7.0	30	25	25	15	15
6	3800-6000		8.0	9.3	30	22	20	13	15

<https://cdn.shopify.com/s/files/1/1592/7469/files/MIX750M6G.pdf>

