

Level 7 (LO Power +7 dBm)

Case PN: 6UDD2W6S1P3

Features:

- **Frequency Range: 3700 MHz to 10000 MHz;**
- **Low insertion loss, 6.0 dB typ.**
- **LTCC double balanced mixer**
- **Useable as up and down converter**
- **High Quality Isola-Tera RF PCB (very low loss and high thermal performance)**
- **ROHS Compliant**
- **Operating Temp. (-40°C to 85°C)**
- **Storage Temp. (-55°C to 100°C)**
- **Maximum RF Power 50mW**

Applications:

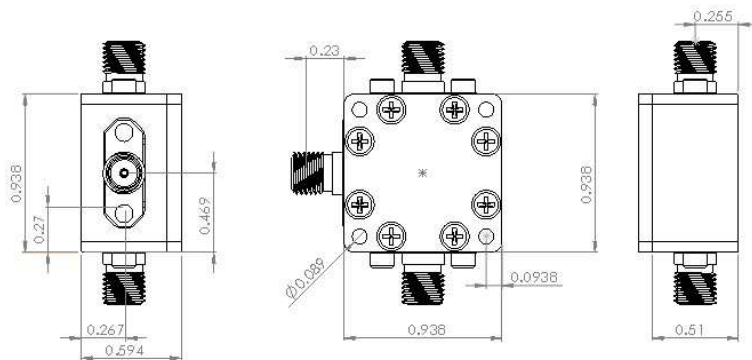
- **Satellite up/down converter**
- **Mobile Infrastructure**
- **VSAT/ISM**
- **General Purpose Wireless**
- **SDR & Ham Radio**
- **Test Instrumentation**

Product Overview:

MIX3P7G10G is a Level 7 (LO Power +7dBm) passive wide band frequency mixer (3700 to 10000 MHz) in a small 15/16"x15/16"x0.59" shielded RF enclosure (PN: 6UDD2W6S1P3). It has low insertion loss (6.0dB typ.) and excellent IF BW (DC to 4GHz). It can be used for up and down converter.



Outline drawing (inch)



Electrical Specifications:

| Item | Frequency (MHz) | | Conversion Loss (dB) | | LO-RF Isolation (dB) | | LO-IF Isolation (dB) | | IP3 (dBm) at center band |
|------|-----------------------|---------|----------------------|------|----------------------|------|----------------------|------|--------------------------|
| | LO/RF ($f_L - f_U$) | IF | Typ. | Max. | Typ. | Min. | Typ. | Min. | Typ. |
| 1 | 3700-8000 | DC-4000 | | | | | | | |
| 2 | 3700-6200 | | 6.7 | 8.3 | 38 | 31 | 16 | 12 | 16 |
| 3 | 6200-10000 | | 6.7 | 9.5 | 35 | 25 | 17 | 12 | 8 |

<https://cdn.shopify.com/s/files/1/1592/7469/files/MIX3P7G10G.pdf>

