

Level 7 (LO Power +7 dBm)

Case PN: 6UDD2W6S1P3

Features:

- Frequency Range: 3400 MHz to 15000 MHz
- Low insertion loss, 6.8 dB typ.
- LTCC double balanced mixer
- Useable as up and down converter
- High Quality Isola-Tera RF PCB (very low loss and high thermal performance)
- ROHS Compliant
- Operating Temp. (-40°C to 85°C)
- Storage Temp. (-55°C to 100°C)
- Maximum RF Power 50mW

Applications:

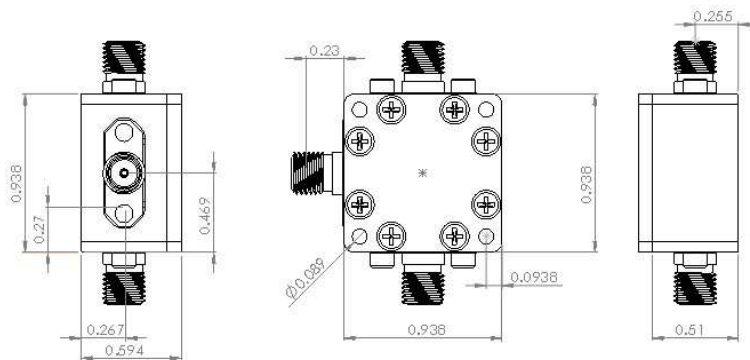
- Satellite up/down converter
- Mobile Infrastructure
- VSAT/ISM
- General Purpose Wireless
- SDR & Ham Radio
- Test Instrumentation

Product Overview:

MIX3P4G15G is a Level 7 (LO Power +7dBm) passive wide band frequency mixer (3400 to 15000 MHz) in a small 15/16"x15/16"x0.59" shielded RF enclosure (PN: 6UDD2W6S1P3). It has low insertion loss (6.8 dB typ.) and excellent IF BW (DC to 4GHz). It can be used for up and down converter.



Outline drawing (inch)



Electrical Specifications:

Item	Frequency (MHz)		Conversion Loss (dB)		LO-RF Isolation (dB)		LO-IF Isolation (dB)		IP3 (dBm) at center band
	LO/RF ($f_L - f_U$)	IF	Typ.	Max.	Typ.	Min.	Typ.	Min.	Typ.
1	3400-15000	DC-4000							
2	3400-10000		6.5	9.5	36	25	16	12	10
3	10000-13500		10.0	13.2	36	27	30	15	--
4	13500-15000		8.0	10.4	31	20	27	20	--

<https://cdn.shopify.com/s/files/1/1592/7469/files/MIX3P4G15G.pdf>

