

Level 10 (LO Power +10 dBm)

Case PN: 6UDD2W6S1P3

Features:

- Frequency Range: 3200 MHz to 15000 MHz
- Low insertion loss, 6.1 dB typ.
- LTCC double balanced mixer
- Useable as up and down converter
- High Quality Isola-Tera RF PCB (very low loss and high thermal performance)
- ROHS Compliant
- Operating Temp. (-40°C to 85°C)
- Storage Temp. (-55°C to 100°C)
- Maximum RF Power 50mW

Applications:

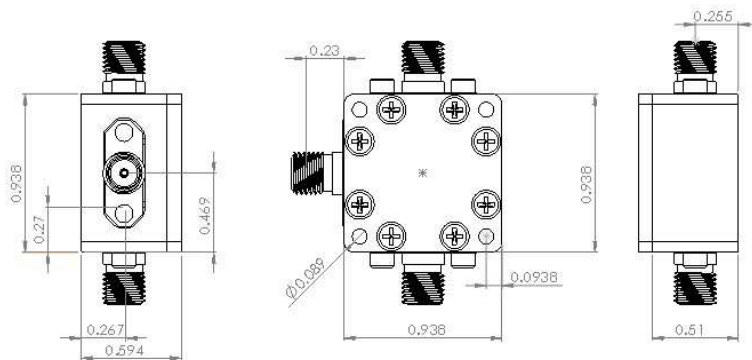
- Satellite up/down converter
- Mobile Infrastructure
- VSAT/ISM
- General Purpose Wireless
- SDR & Ham Radio
- Test Instrumentation

Product Overview:

MIX3P2G15G is a Level 10 (LO Power +10dBm) passive wide band frequency mixer (3200 to 15000 MHz) in a small 15/16"x15/16"x0.59" shielded RF enclosure (PN: 6UDD2W6S1P3). It has low insertion loss (6.8 dB typ.) and excellent IF BW (DC to 4GHz). It can be used for up and down converter.



Outline drawing (inch)



Electrical Specifications:

Item	Frequency (MHz)		Conversion Loss (dB)		LO-RF Isolation (dB)		LO-IF Isolation (dB)		IP3 (dBm) at center band
	LO/RF ($f_L - f_U$)	IF	Typ.	Max.	Typ.	Min.	Typ.	Min.	Typ.
1	3200-15000	DC-4000							
2	3200-4500		6.4	8.9	40	32	19	13	12
3	4500-5100		6.5	8.7	38	32	15	110	18
4	5100-14000		7.5	12.4	36	23	15	9	--
5	14000-15000		7.8	10.3	30	17	28	19	--

<https://cdn.shopify.com/s/files/1/1592/7469/files/MIX3P2G15G.pdf>



Lotus Communication Systems, Inc.

www.lotussys.com 588 Boston Post Rd., Weston, MA 02493 (888) 236-8588 sales@lotussys.com

Rev.A MIX3P2G15G