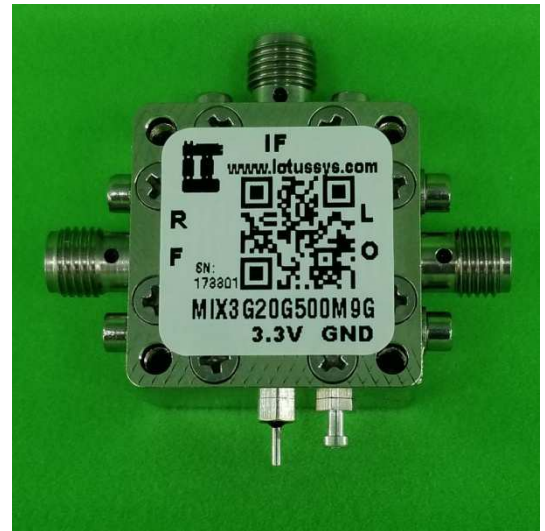


Features:

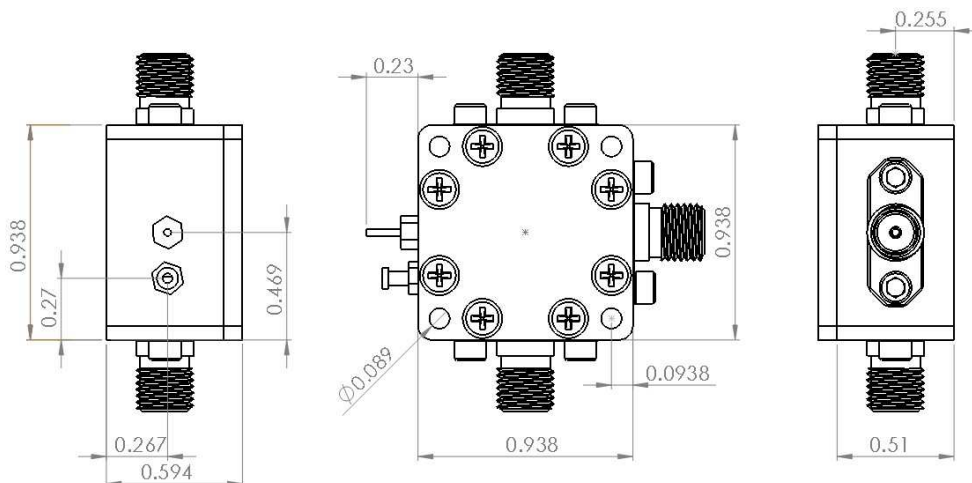
- * Upconversion or Downconversion
- * RF Freq. Range: 3GHz to 20GHz
- * LO Freq. Range: 1GHz to 20GHz
- * IF Freq. Range: 500MHz to 9GHz
- * High IIP3: +24dBm @ 10GHz
- * 9dB Conversion Loss @ 10GHz
- * +16dBm Input P1dB @ 10GHz
- * Integrated LO Buffer: 0dBm LO Drive
- * Low LO-RF Leakage: <-25dBm
- * +3.3V/132mA Supply
- * Stainless Steel SMA Female Connector
- * High Quality Isola-Tera RF PCB
(very low loss and high thermal performance)
- * ROHS Compliant
- * Use LTC5553 Mixer Part



Applications:

- * 5G Broadband Wireless
- * Microwave Transceivers
- * General Purpose Wireless
- * SDR & Ham Radio
- * Test Instrumentation

Outline drawing (inch)



<https://cdn.shopify.com/s/files/1/1592/7469/files/MIX3G20G500M9G.pdf>

