

Level 17 (LO Power +17 dBm)

Case PN: 6UDD2W6S1P3

Features:

- Frequency Range: 3000 MHz to 10000 MHz
- Conversion loss, 9 dB typ.
- LO to IF Isolation: 43 dB typ. At 3 GHz to 9 GHz
- RF to IF Isolation: 26 dB typ. At 3 GHz to 9 GHz
- LCC double balanced mixer
- Useable as up and down converter
- High Quality Isola-Tera RF PCB (very low loss and high thermal performance)
- ROHS Compliant
- Operating Temp. (-40°C to 85°C)
- Storage Temp. (-55°C to 100°C)
- Maximum RF Power +28dBm

Applications:

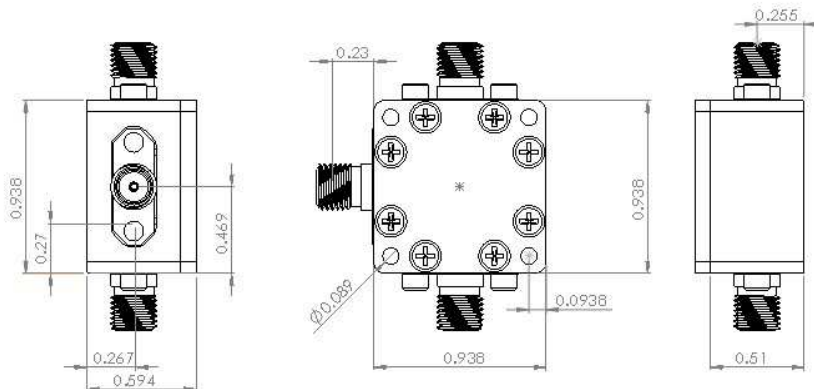
- Satellite up/down converter
- Mobile Infrastructure
- VSAT/ISM
- General Purpose Wireless
- SDR & Ham Radio
- Test Instrumentation

Product Overview:

MIX3G10GDC4G is a Level 17 (LO Power +17dBm) passive wide band frequency mixer (3000 to 10000 MHz) in a small 15/16"x15/16"x0.59" shielded RF enclosure (PN: 6UDD2W6S1P3). It has conversion loss (9 dB typ.) and excellent IF BW (DC to 4GHz). It can be used for up and down converter.



Outline drawing (inch)



Electrical Specifications:

Item	Parameter	Conditions	Min	Typ	Max	Units
1	Operational Frequency Range					
	RF		3		10	GHz
	LO		3		10	GHz
	IF		DC		4	GHz
2	LO Drive Level			17		dBm
3	Performance at RF=3 GHz to 9 GHz					
	Conversion Loss			9	11	dB
	Single Sideband (SSB) Noise Figure			9		dB
	Input Third-Order Intercept (IP3)		15	24		dBm
	Input 1dB Compression Point (P1dB)			17		dBm
	Input Second-Order Intercept (IP2)			67		dB
	RF to IF Isolation		15	26		dB
	LO to RF Isolation			48		dB
	LO to IF Isolation		35	43		dB
4	Performance at RF=3 GHz to 9 GHz					
	Conversion Loss			9	11	dB
	Single Sideband (SSB) Noise Figure			9		dB
	Input Third-Order Intercept (IP3)		15	24		dBm
	Input 1dB Compression Point (P1dB)			15		dBm
	Input Second-Order Intercept (IP2)			66		dB
	RF to IF Isolation		15	26		dB
	LO to RF Isolation			47		dB
	LO to IF Isolation		25	42		dB

