

Level 4 (LO Power +4 dBm)

Case PN: 6UDD2W6S1P3

Features:

- Frequency Range: 2400 MHz to 7000 MHz
- Low insertion loss, 6.2 dB typ.
- LTCC double balanced mixer
- Useable as up and down converter
- High Quality Isola-Tera RF PCB (very low loss and high thermal performance)
- ROHS Compliant
- Operating Temp. (-40°C to 85°C)
- Storage Temp. (-55°C to 100°C)
- Maximum RF Power 50mW

Applications:

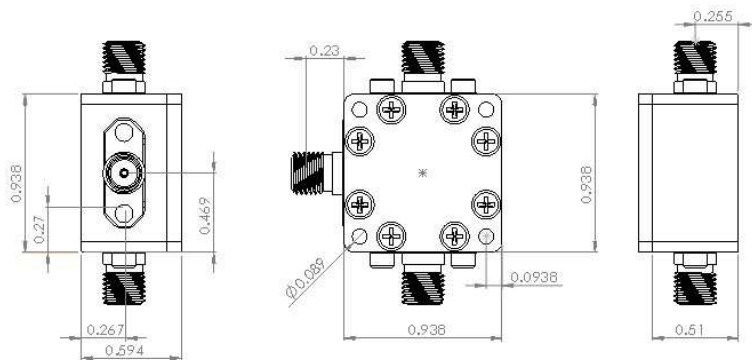
- Satellite up/down converter
- Mobile Infrastructure
- VSAT/ISM
- General Purpose Wireless
- SDR & Ham Radio
- Test Instrumentation

Product Overview:

MIX2P4G7G is a Level 4 (LO Power +4dBm) passive wide band frequency mixer (2400 to 7000 MHz) in a small 15/16"x15/16"x0.59" shielded RF enclosure (PN: 6UDD2W6S1P3). It has low insertion loss (6.2 dB typ.) and excellent IF BW (DC to 3GHz). It can be used for up and down converter.



Outline drawing (inch)



Electrical Specifications:

Item	Frequency (MHz)		Conversion Loss (dB)		LO-RF Isolation (dB)		LO-IF Isolation (dB)		IP3 (dBm) at center band
	LO/RF ($f_L - f_U$)	IF	Typ.	Max.	Typ.	Min.	Typ.	Min.	Typ.
1	2400-7000	DC-1500							
2	2400-3200		6.3	8.5	35	28	20	14	10
3	3200-4200		6.1	7.8	32	27	26	20	12
4	4200-7000		6.0	8.5	23	17	18	11	9

<https://cdn.shopify.com/s/files/1/1592/7469/files/MIX2P4G7G.pdf>

