

Level 7 (LO Power +7 dBm)

Case PN: 6UDD2W6S1P3

Features:

- **Frequency Range: 2600 MHz to 8000 MHz;**
- **Low insertion loss, 6.0 dB typ.**
- **LTCC double balanced mixer**
- **Useable as up and down converter**
- **High Quality Isola-Tera RF PCB (very low loss and high thermal performance)**
- **ROHS Compliant**

Applications:

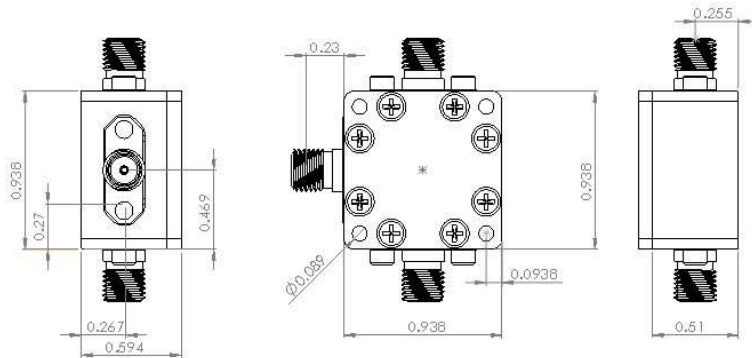
- **Satellite up/down converter**
- **Mobile Infrastructure**
- **VSAT/ISM**
- **General Purpose Wireless**
- **SDR & Ham Radio**
- **Test Instrumentation**

Product Overview:

MIX2P3G8G is a passive wide band frequency mixer (2300 to 8000 MHz) in a small 15/16"x15/16"x0.59" shielded RF enclosure (PN: 6UDD2W6S1P3). It has low insertion loss (6.0dB typ.) and excellent IF BW (DC to 3GHz). It can be used for up and down converter.



Outline drawing (inch)



Electrical Specifications:

Item	Frequency (MHz)		Conversion Loss (dB)		LO-RF Isolation (dB)		LO-IF Isolation (dB)		IP3 (dBm) at center band
	LO/RF ($f_L - f_U$)	IF	Typ.	Max.	Typ.	Min.	Typ.	Min.	
1	2300-8000	DC-3000							
2	2300-3200		6.0	7.8	35	27	23	15	12
3	3200-3700		5.8	7.0	31	26	24	18	13
4	3700-4200		5.9	7.4	32	26	28	19	15
5	4200-8000		6.0	8.9	23	17	18	7	10

<https://cdn.shopify.com/s/files/1/1592/7469/files/MIX2P3G8G.pdf>



Lotus Communication Systems, Inc.

www.lotussys.com 588 Boston Post Rd., Weston, MA 02493 (888) 236-8588 sales@lotussys.com

Rev.A MIX2P3G8G