

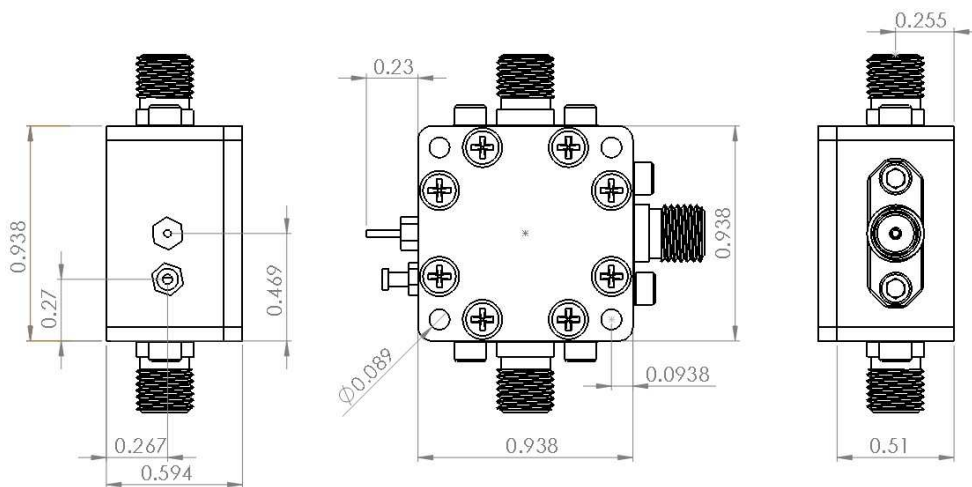
**Features:**

- Upconversion or Downconversion
- High IIP3: +28.2dBm at 5.8GHz & +22.8dBm at 12GHz
- 8.0dB Conversion Loss at 5.8GHz
- +14.3dBm Input P1dB at 5.8GHz
- Integrated LO Buffer: 0dBm LO Drive
- Integrated LO Frequency Doubler
- Low LO-RF Leakage: <-30dBm
- 3.3V/115mA Supply
- Use LTC5549 and LO Frequency Doubler to reduce LO frequency by half
- High Quality Rogers RO4350 PCB
- ROHS Compliant

**Applications:**

- Microwave Transceivers/Point-to-Point Microwave
- Test Instrument
- Satellite MODEMs
- C, X and Ku Band RADAR
- Phased-Array Antennas
- Software Defined Radio/Ham Radio

**Outline drawing (inch)**



<https://cdn.shopify.com/s/files/1/1592/7469/files/MIX2G14G500M6G.pdf>



**Lotus Communication Systems, Inc.**

Rev.A MIX2G14G500M6G

[www.lotussys.com](http://www.lotussys.com) 588 Boston Post Rd., Weston, MA 02493 (888) 236-8588 sales@lotussys.com