

Level 10 (LO Power +10 dBm)

Case PN: 6UDD2W6S1P3

## Features:

- Frequency Range: 2600 MHz to 8000 MHz;
- Low insertion loss, 6.0 dB typ.
- LTCC double balanced mixer
- Useable as up and down converter
- High Quality Isola-Tera RF PCB (very low loss and high thermal performance)
- ROHS Compliant
- Operating Temp. (-40°C to 85°C)
- Storage Temp. (-55°C to 100°C)
- Maximum RF Power 50mW

## Applications:

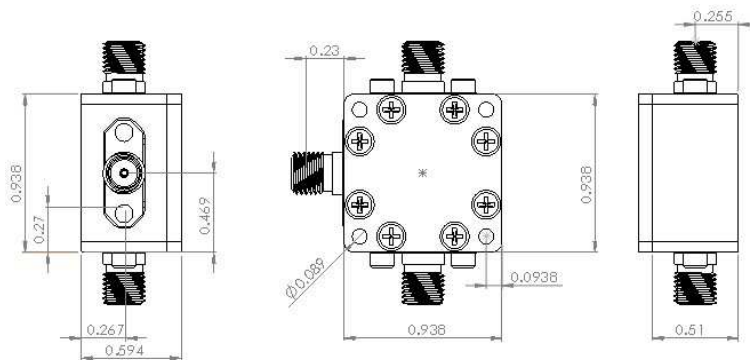
- Satellite up/down converter
- Mobile Infrastructure
- VSAT/ISM
- General Purpose Wireless
- SDR & Ham Radio
- Test Instrumentation

## Product Overview:

MIX1P7G8G is a Level 10 (LO Power +10dBm) passive wide band frequency mixer (1700 to 8000 MHz) in a small 15/16"x15/16"x0.59" shielded RF enclosure (PN: 6UDD2W6S1P3). It has low insertion loss (6.0dB typ.) and excellent IF BW (DC to 3GHz). It can be used for up and down converter.



## Outline drawing (inch)



## Electrical Specifications:

Item	Frequency (MHz)		Conversion Loss (dB)		LO-RF Isolation (dB)		LO-IF Isolation (dB)		IP3 (dBm) at center band
	LO/RF ( $f_L - f_U$ )	IF	Typ.	Max.	Typ.	Min.	Typ.	Min.	Typ.
1	1700-8000	DC-3000							
2	1700-3200		6.0	7.9	33	25	23	17	10
3	3200-3700		5.7	6.7	30	24	23	18	15
4	3700-4200		5.8	7.2	31	24	28	19	18
5	4200-8000		6.0	8.9	23	16	18	8	11

<https://cdn.shopify.com/s/files/1/1592/7469/files/MIX1P7G8G.pdf>



**Lotus Communication Systems, Inc.**

[www.lotussys.com](http://www.lotussys.com) 588 Boston Post Rd., Weston, MA 02493 (888) 236-8588 sales@lotussys.com

Rev.A MIX1P7G8G