

50Ω Wide Band, Ultra Low Noise, Flat Gain LNA

Case PN: 6UDD2W6S1A2

Features:

- 0.6-4.2GHz Frequency Range
- 2dB Gain flatness across 1.5-3.6 GHz
- 0.6dB NF at 2.6 GHz
- High input power ruggedness, 33 dBm CW
- Rugged, shielded case (SMA connector 50Ω system)
- +3V to +5V Supply (+5V recommended)

Applications:

- Repeaters/DAS
- Mobile Infrastructure
- LTE/WCDMA/CDMA/GSM
- General Purpose Wireless
- SDR & Ham Radio
- Test Instrumentation



General Description:

LNA600M4P2G is flat-gain, high-linearity, ultra-low noise amplifier in a small 15/16"x15/16"x0.59" shielded RF enclosure. The LNA provides a gain flatness of 2 dB (peak-to-peak) over a wide bandwidth from 1.5 to 3.6GHz. At 2.6 GHz, the amplifier typically provides 20 dB gain, +39.5 dBm OIP3 at a 65 mA bias setting, and 0.6 dB noise figure. The LNA can be biased from a single positive supply ranging from 3.3 to 5 volts.

Electrical Specifications:

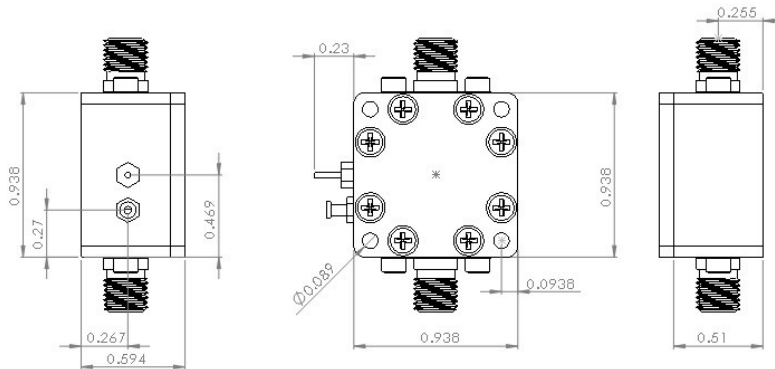
Item	Parameter	Condition	Electrical Specification			
			MIN	TYP	MAX	UNITS
1	Operational Frequency Range		600		4200	MHz
2	Gain		18	19	21	dB
3	Gain Flatness	1500-3600MHz		2.0		dB
4	Input Return Loss			11		dB
5	Output Return Loss			17		dB
6	Noise Figure			0.65	0.95	dB
7	Output P1dB			+19		dBm
8	Output IP3	Pout=+5 dBm/tone, Δf=1MHz	+28	+37		dBm
9	Operating Current (Quiescent)		45	65	85	mA

Absolute Maximum Ratings

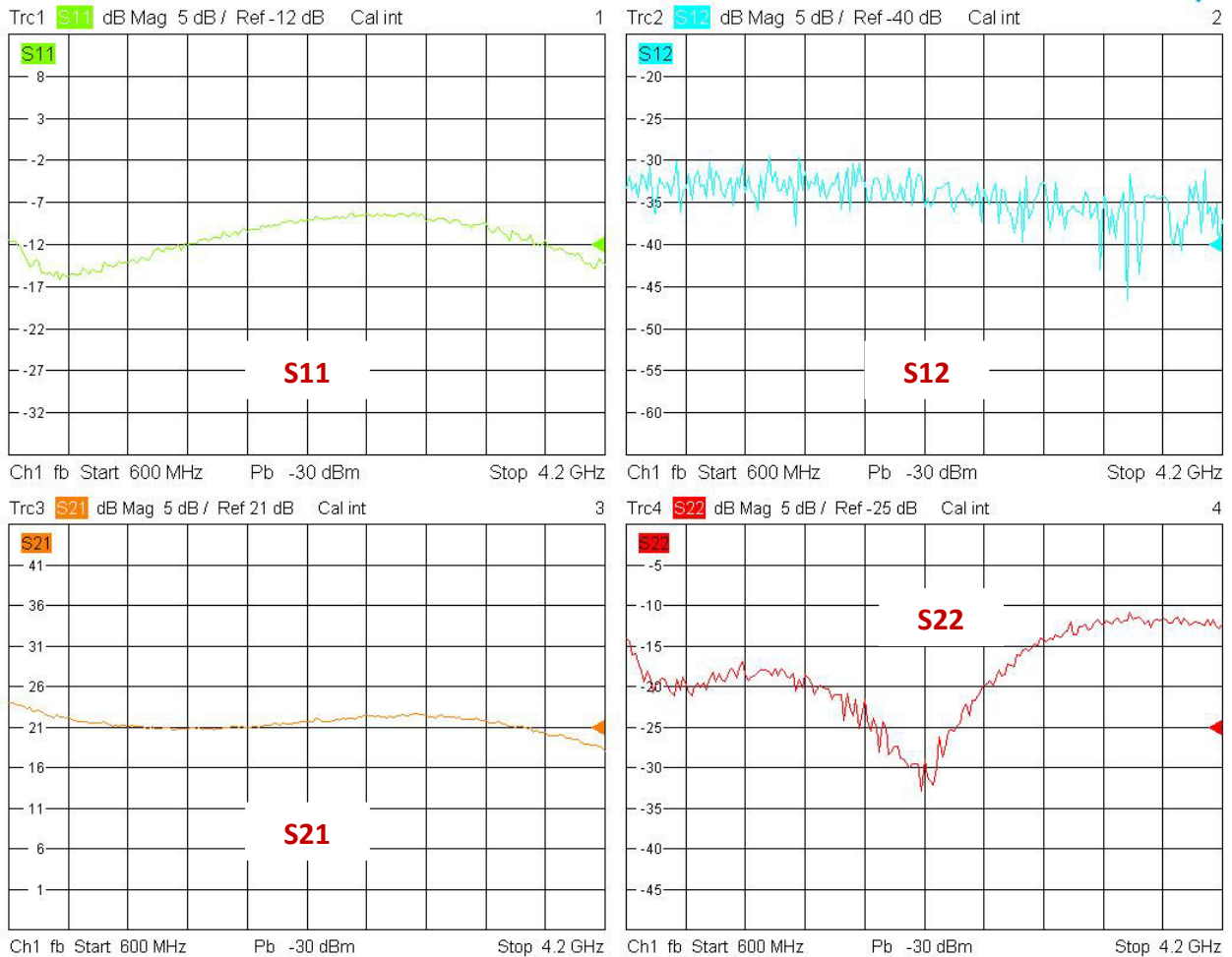
Item	Parameter	Rating	UNITS
1	Max Device Current	100	mA
2	Max Device Voltage	+7	V
3	Max Input Power, CW, 50Ω, T=25°C	+33	dBm
5	Operating Temperature	-40 to +85	°C
6	Max Storage Temperature	-65 to +150	°C



Outline Drawing (inch)



S-Parameters



4/27/2017, 2:43 AM

<https://cdn.shopify.com/s/files/1/1592/7469/files/LNA600M4P2G.pdf>

