



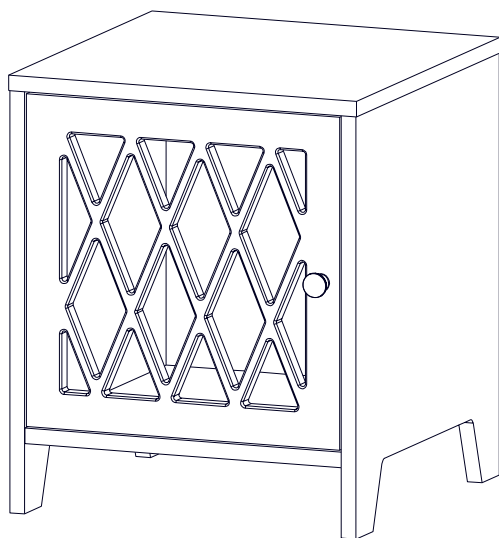
# ASSEMBLY GUIDE

## BEDSIDE TABLE

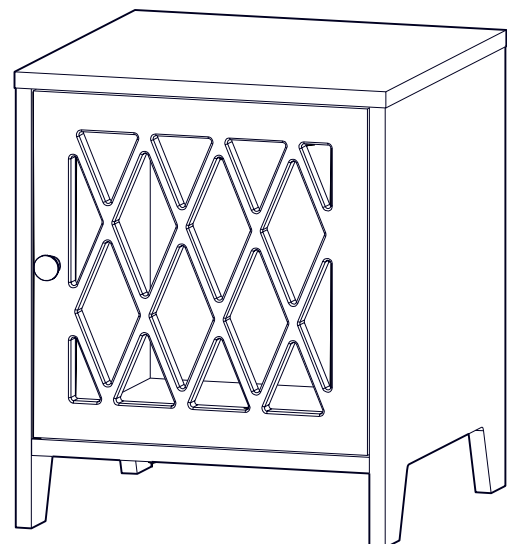
23 - WHITE

40 - CLASSIC GREY

54 - LIGHT SAND



Option A



Option B

IMPORTANT, RETAIN FOR FUTURE REFERENCE: READ CAREFULLY  
MUST BE ASSEMBLED BY AN ADULT!





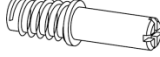
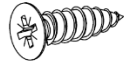
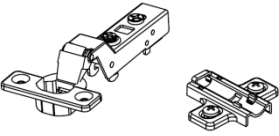
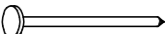

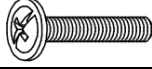
# ASSEMBLY GUIDE

## MONTAGE

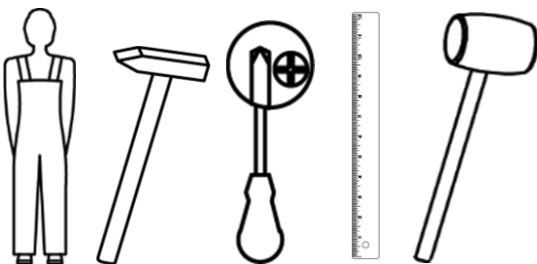
## SAMLEVEJLEDNING

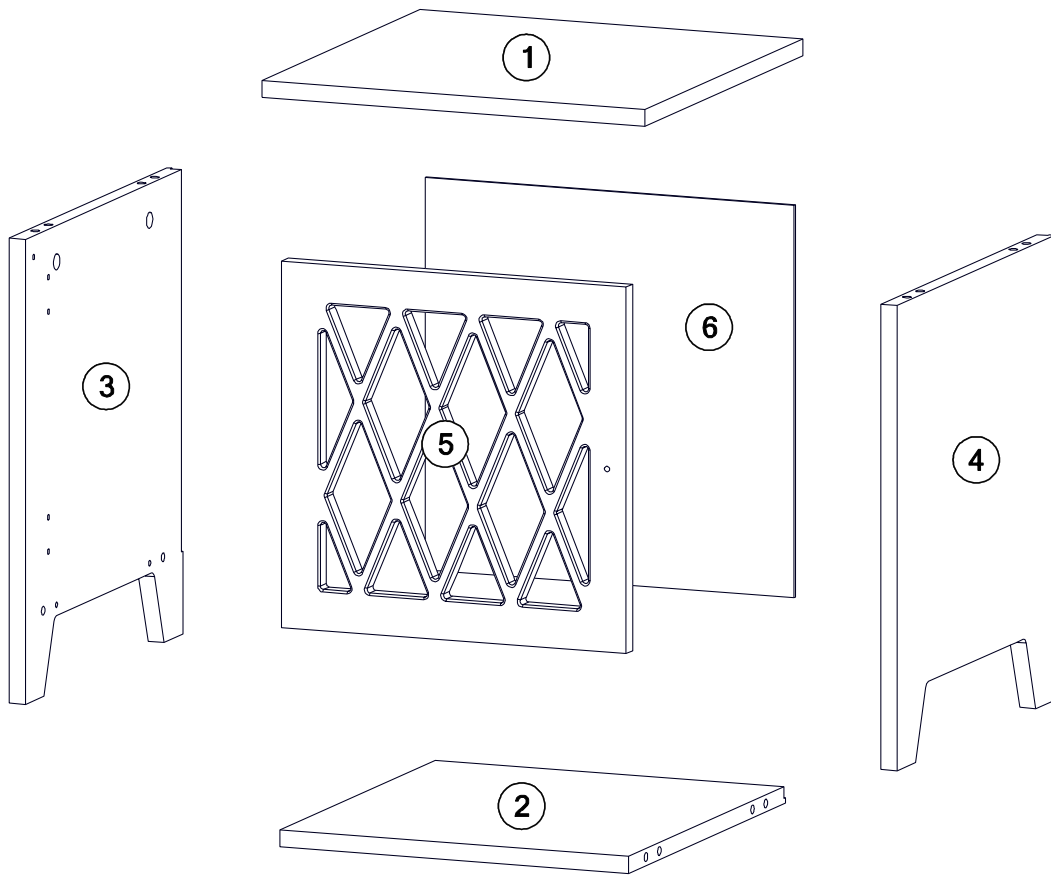
## MONTERING

### PARTS LIST

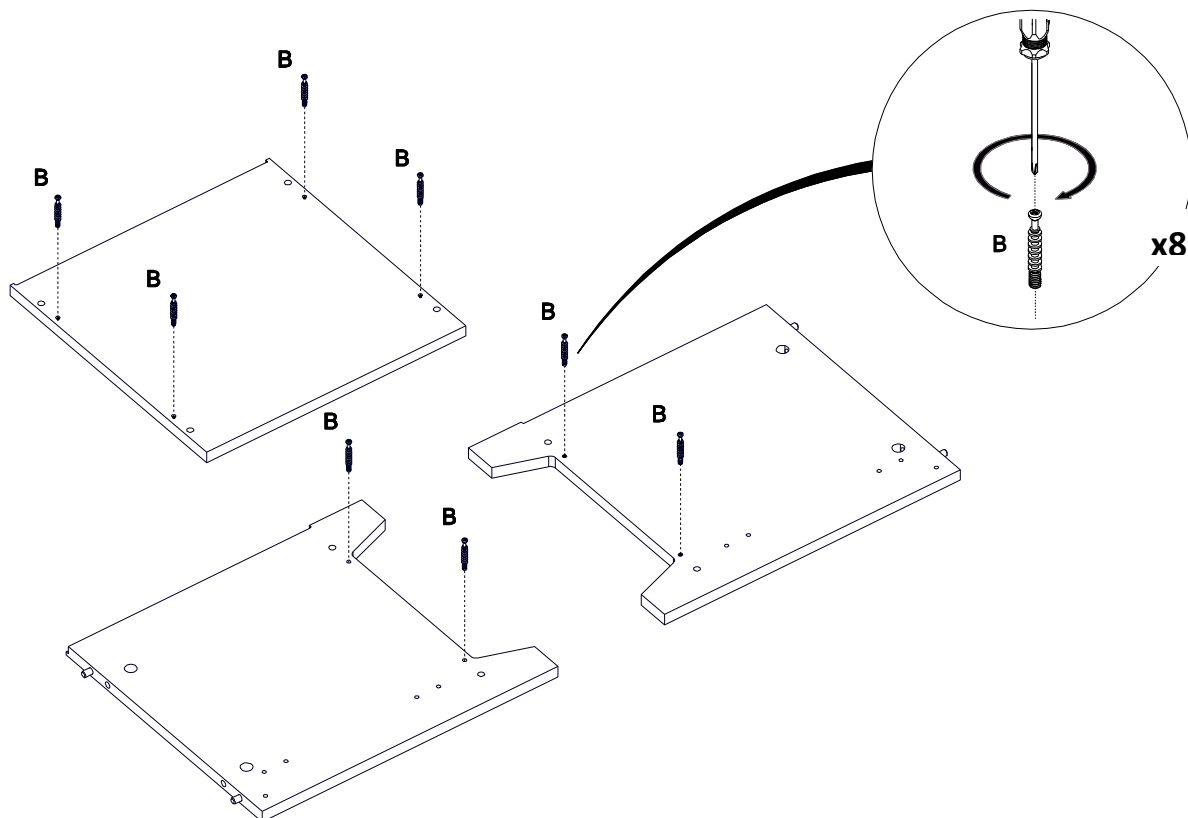
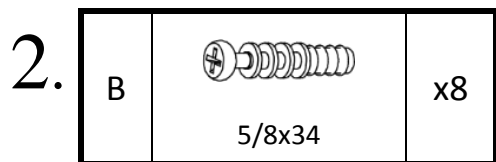
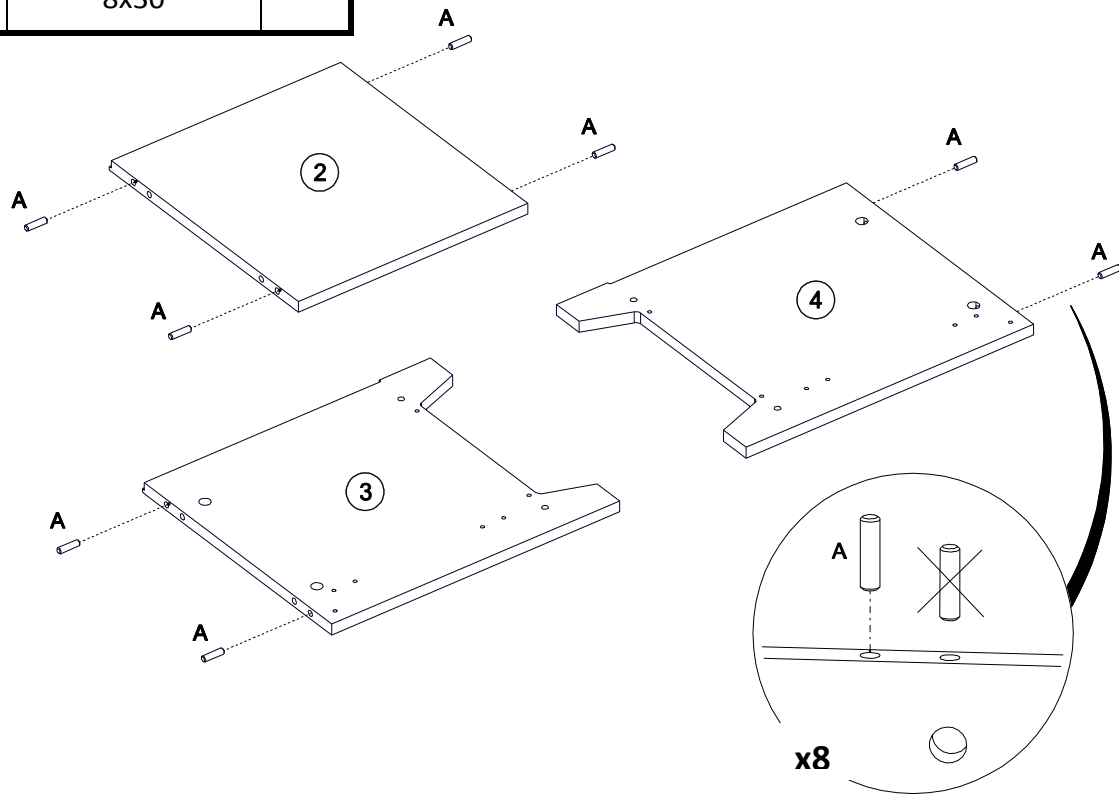
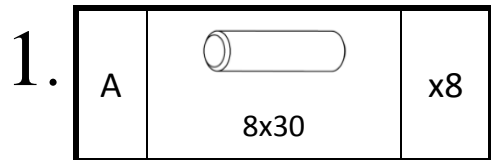
A		x8	B		x8	C		x8
	8x30			5/8x34			15x13	
D		x4	E		x1	F		x4
	D=16			5x24			3.5x15	
G		x2	H		x12	I		x1
				1.2x20				
J		x1						
	4x23							

### TOOLS NEEDED FOR ASSEMBLY




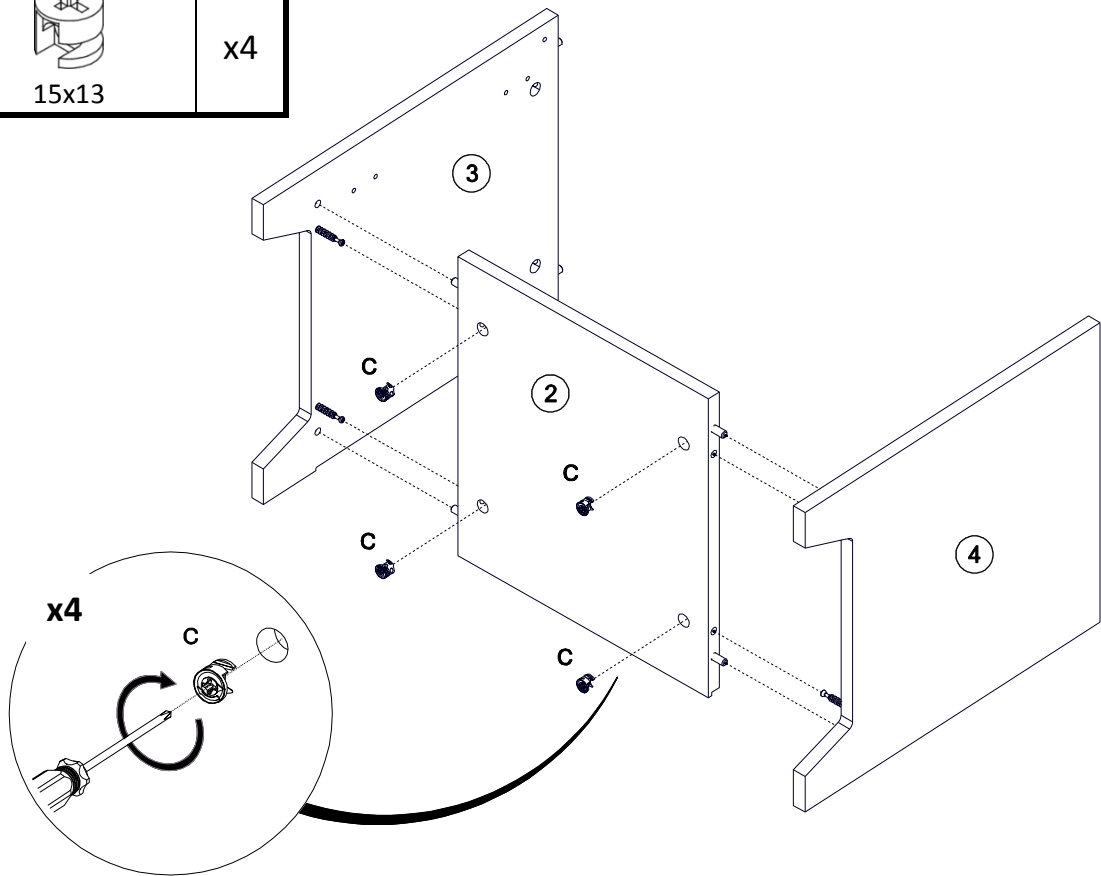


Item number	Dimensions	Number of pcs
1.	380 x 380 x 16	1
2.	378 x 346 x 16	1
3.	434 x 379 x 16	1
4.	434 x 379 x 16	1
5.	342 x 342 x 16	1
6.	366 x 366 x 3	1

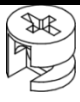



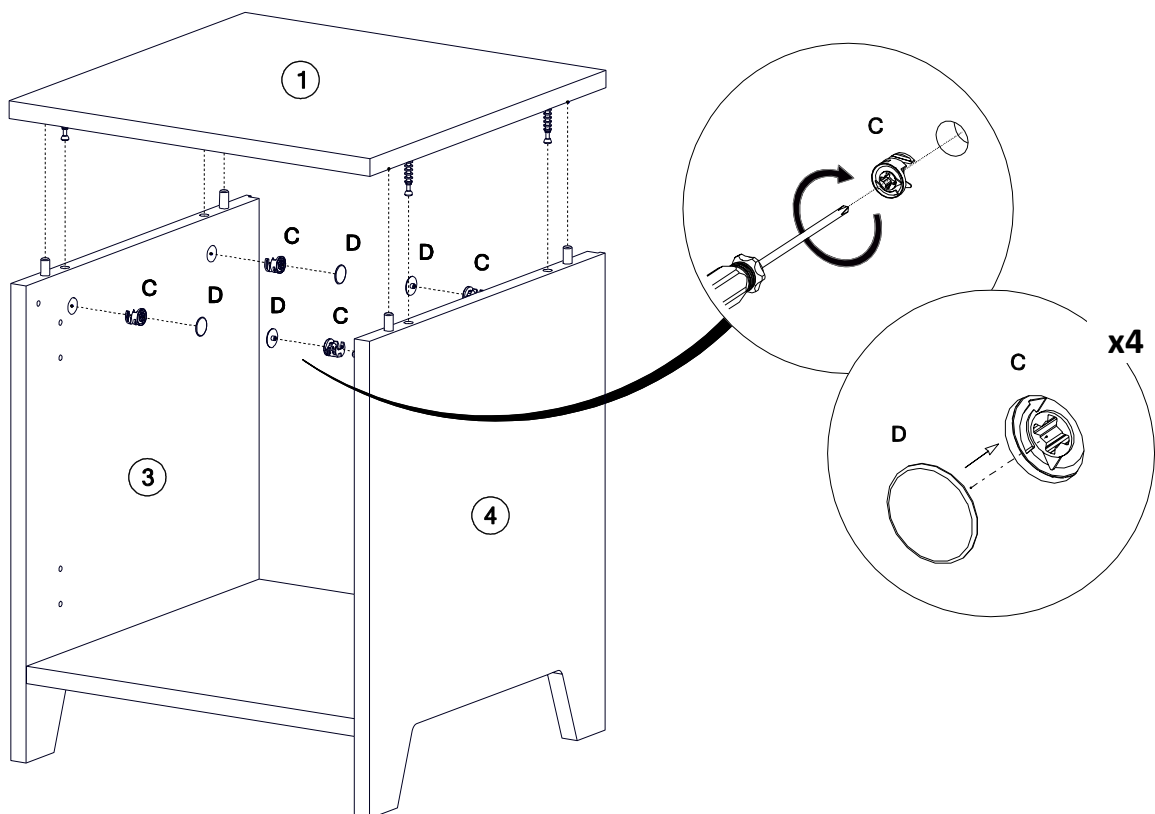
3.

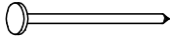
C		x4
15x13		

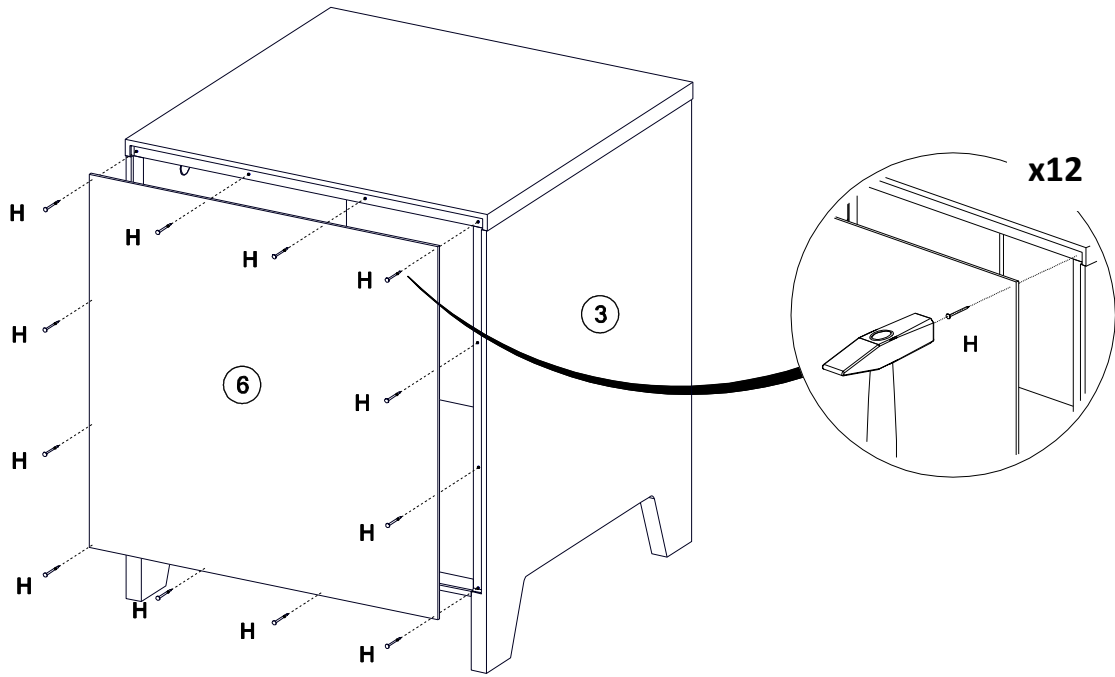


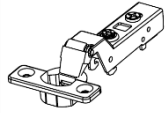
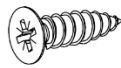
4.

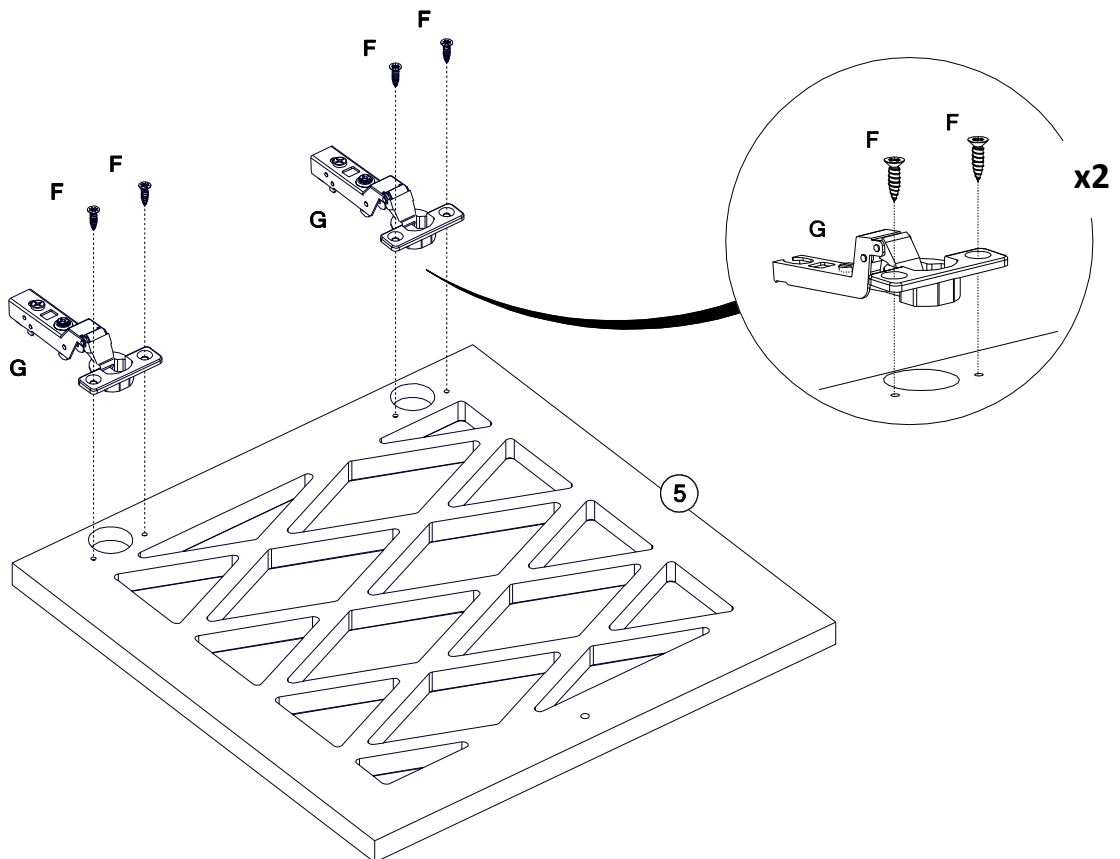
C		x4	D		x4
15x13					

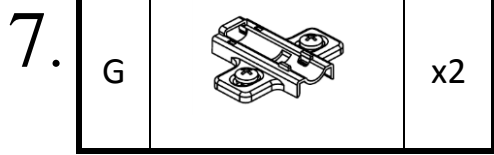


- 5.
- |   |   |     |
|---|---|-----|
| H |  | x12 |
|   | 15x13   |     |

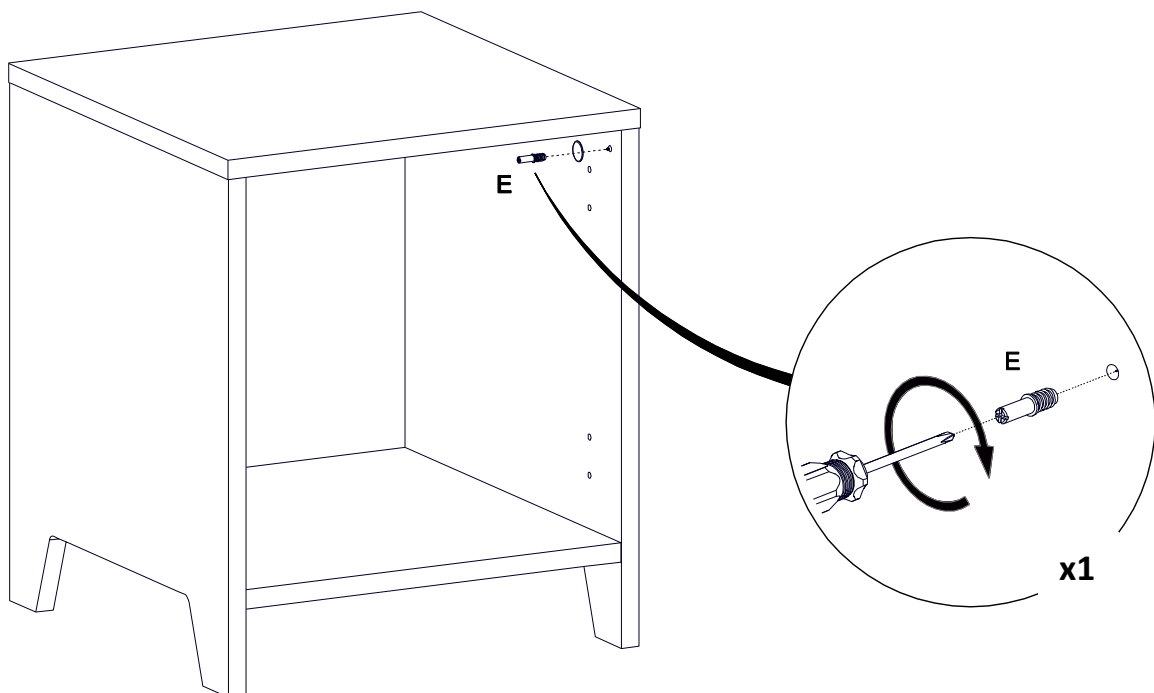
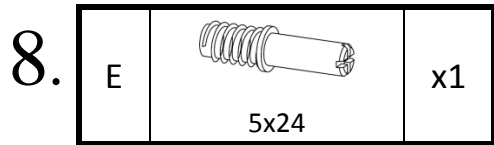
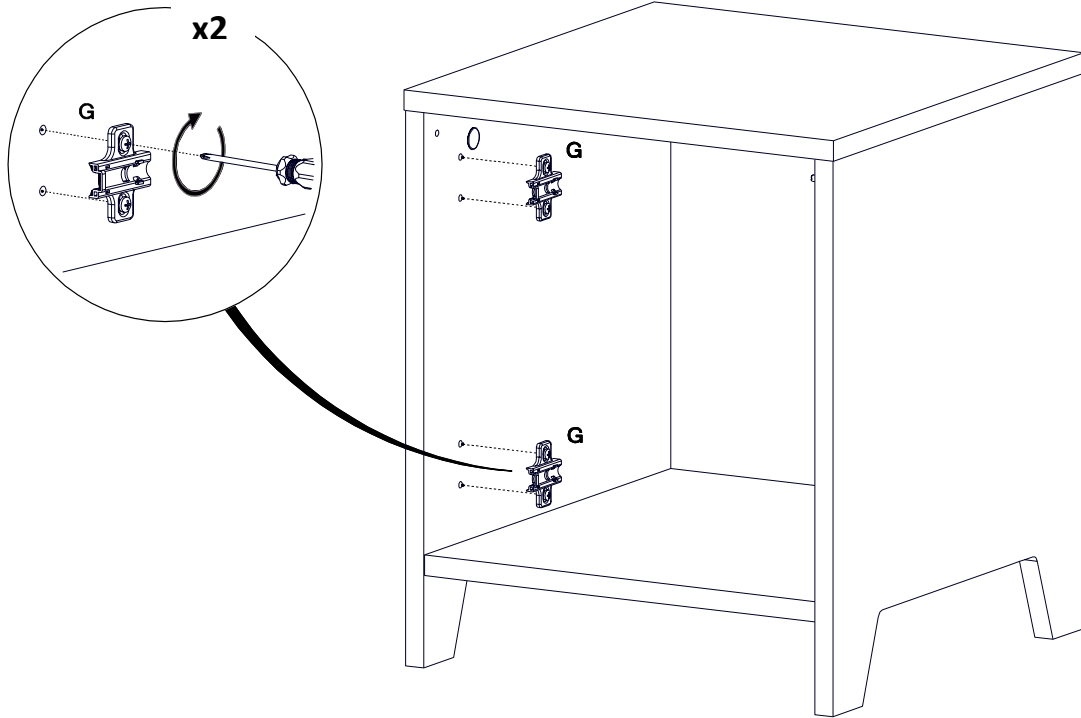


- 6.
- |   |   |    |   |   |    |
|---|---|----|---|---|----|
| G |  | x2 | F |  | x4 |
|---|---|----|---|---|----|

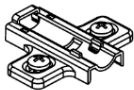




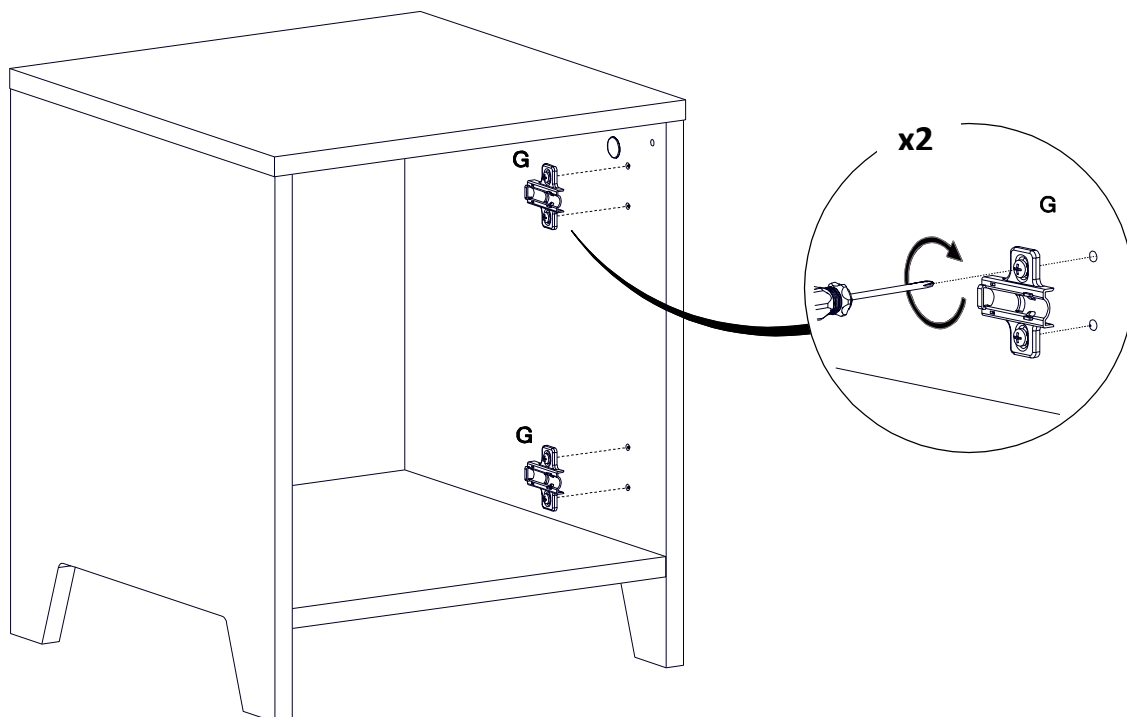
Option A



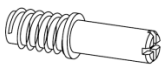
7. 

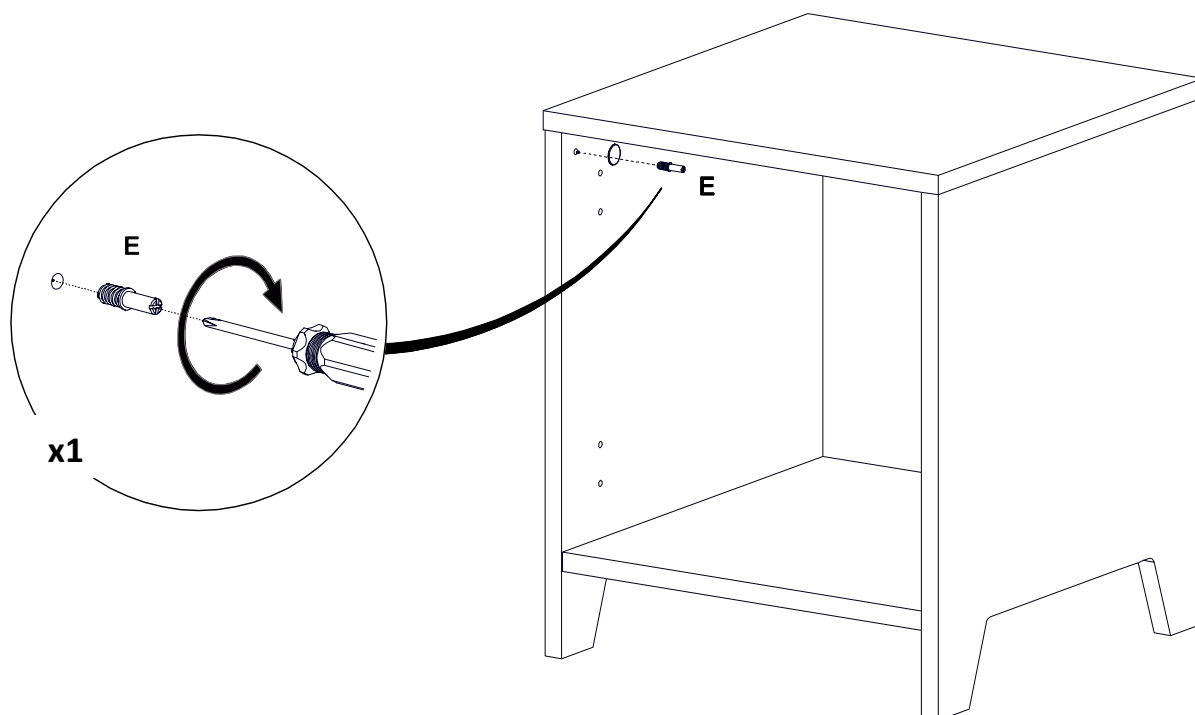
G		x2
---	--	----

Option B



8. 

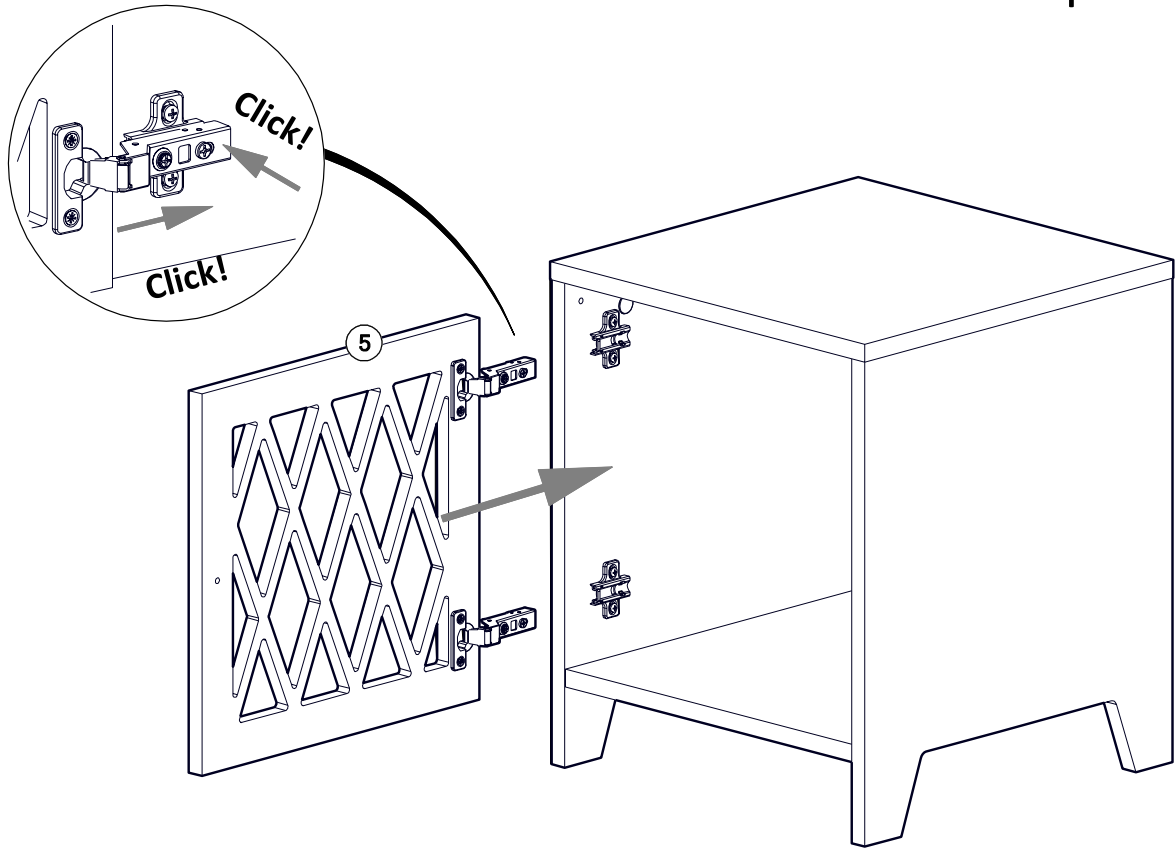
E		x1
5x24		




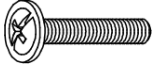


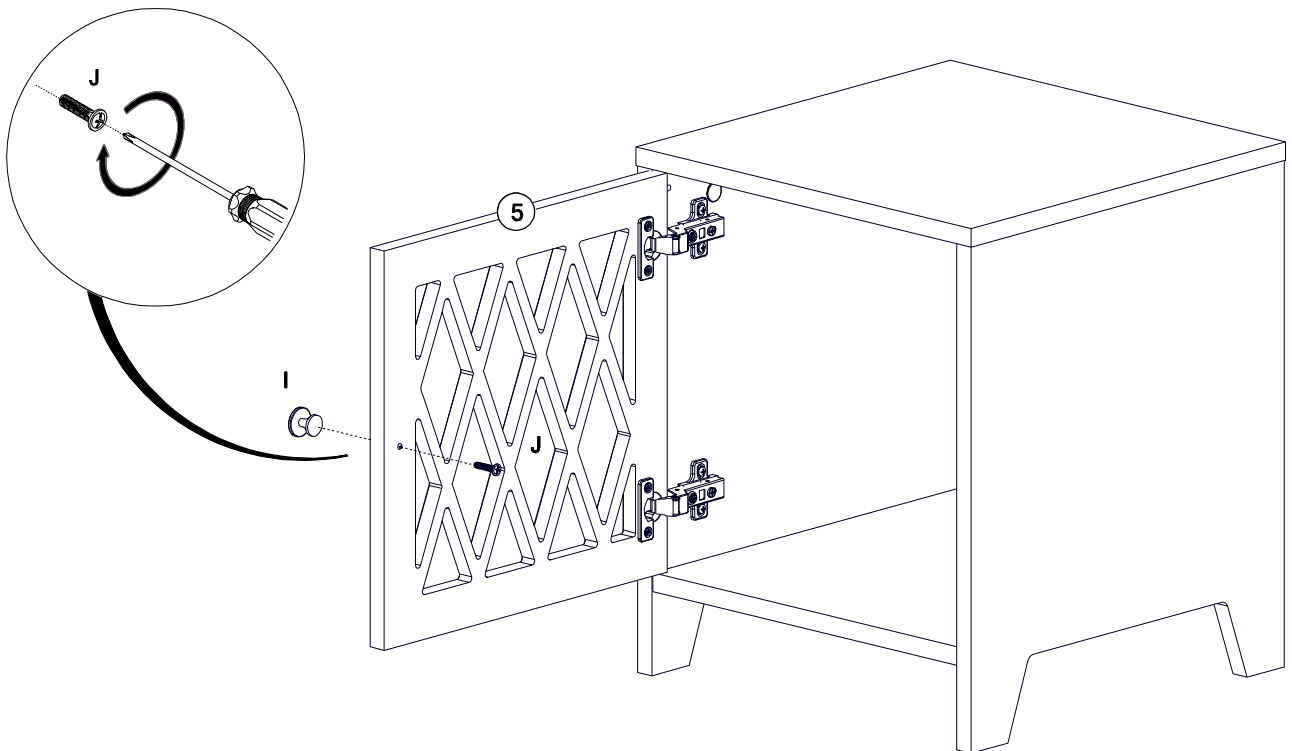
9.

Option A



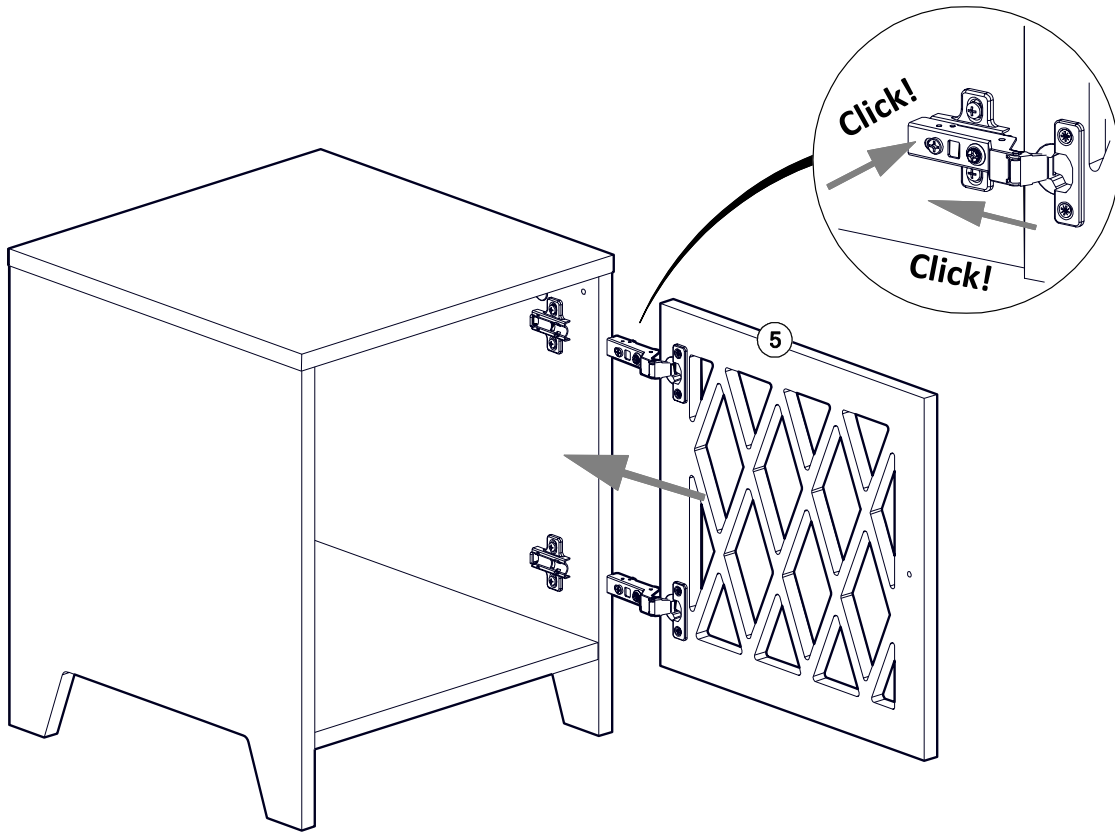
10.

I		x1	J		x1
				4x23	


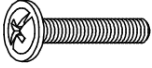


9.

Option B



10.

I		x1	J		x1
				4x23	

