

ASSEMBLY GUIDE

2008A HARLEQUIN SHELF

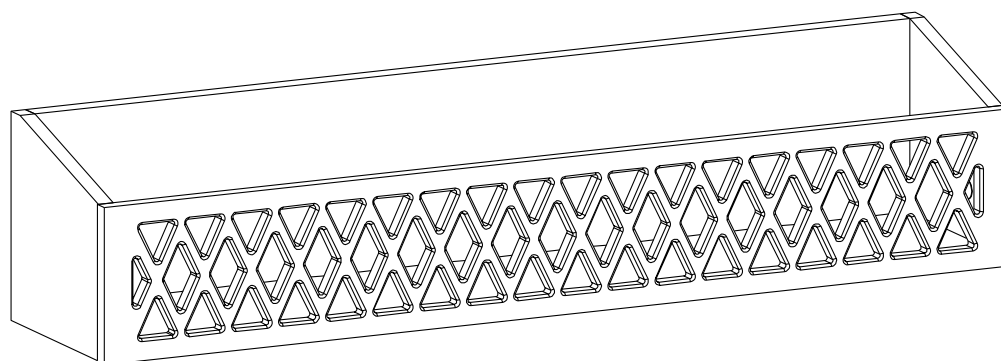
02 GREY

03 PETROLEUM

23 WHITE

54 LIGHT SAND

40 CLASSIC GREY



IMPORTANT, RETAIN FOR FUTURE REFERENCE. READ CAREFULLY



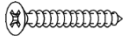





ASSEMBLY GUIDE

MONTAGE

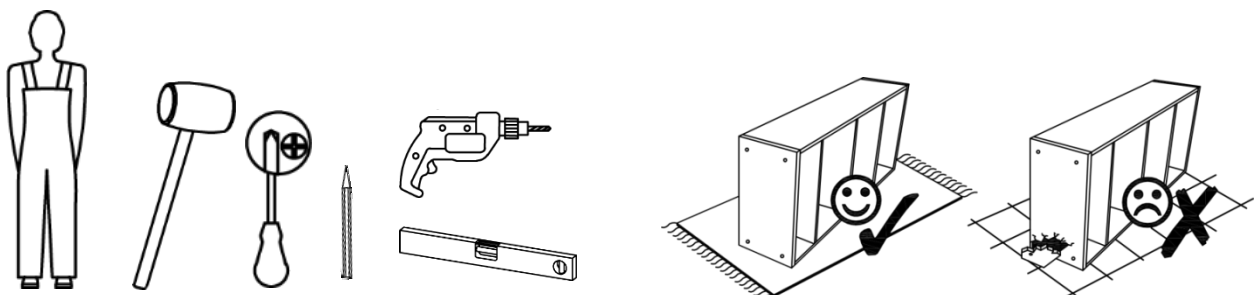
SAMLEVEJLEDNING

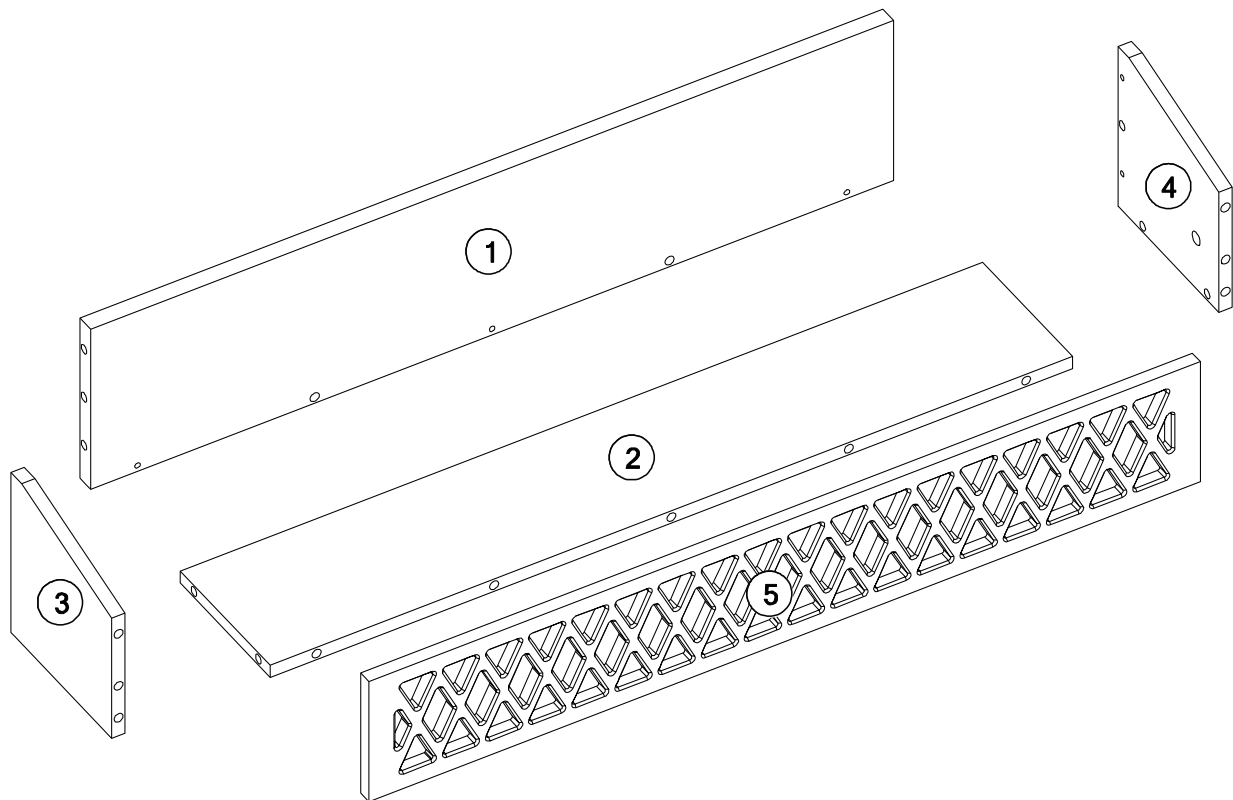
MONTERING

PARTS LIST

A1		x12	B32		x2	A38	 Ø4,5x45	x2
S16		x2	C6		x8	S1	 Ø8x30	x14
			A3	 Ø3,5x15	x8	S18	 H=9,5mm	x12



TOOLS NEEDED FOR ASSEMBLY

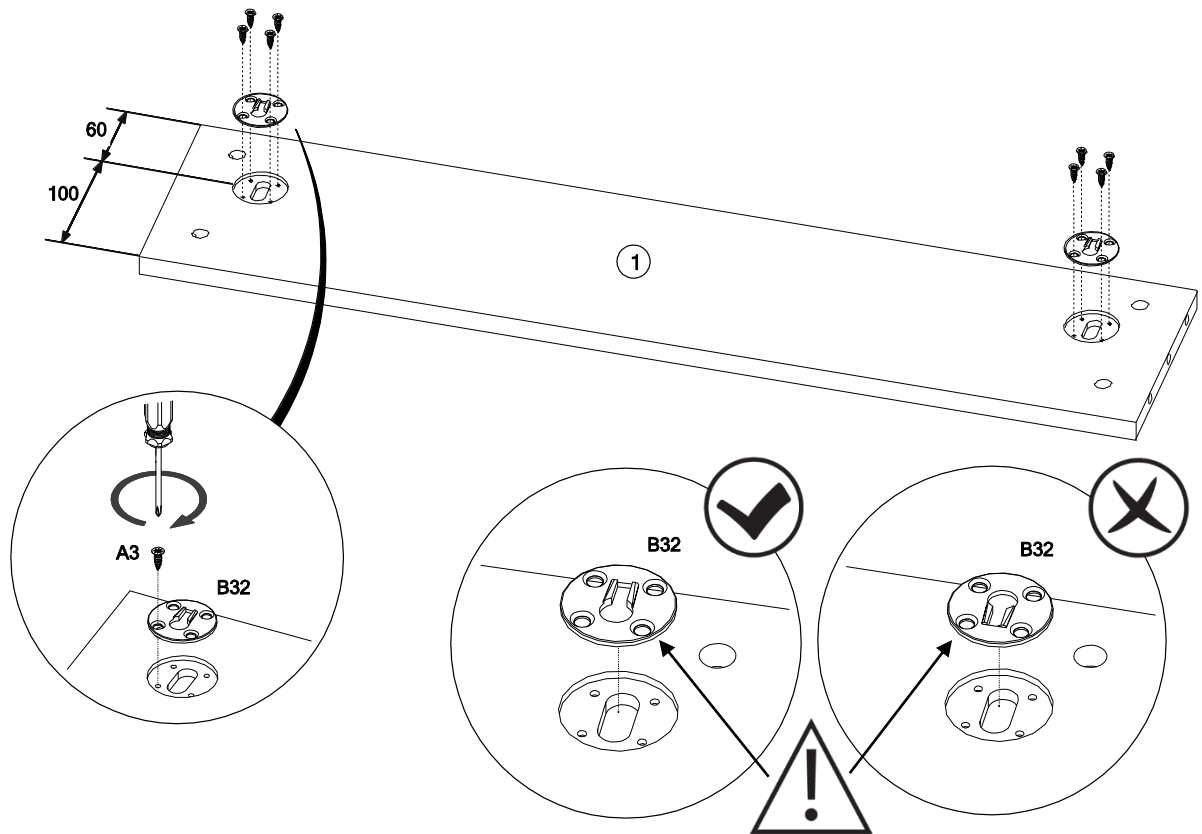




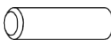

Item number	Dimensions	Number of pcs
1.	724 x 160 x 16	1
2.	724 x 134 x 12	1
3.	160 x 150 x 12	1
4.	160 x 150 x 12	1
5.	750 x 120 x 12	1

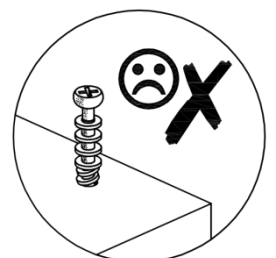
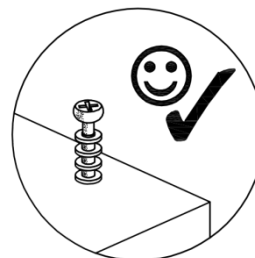
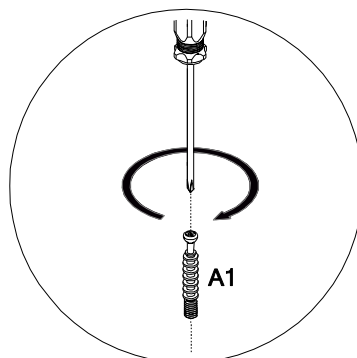
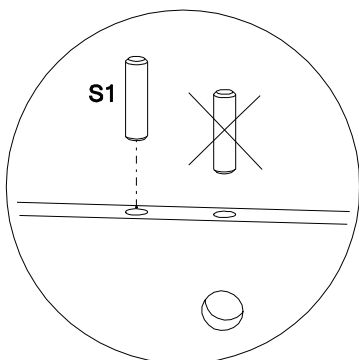
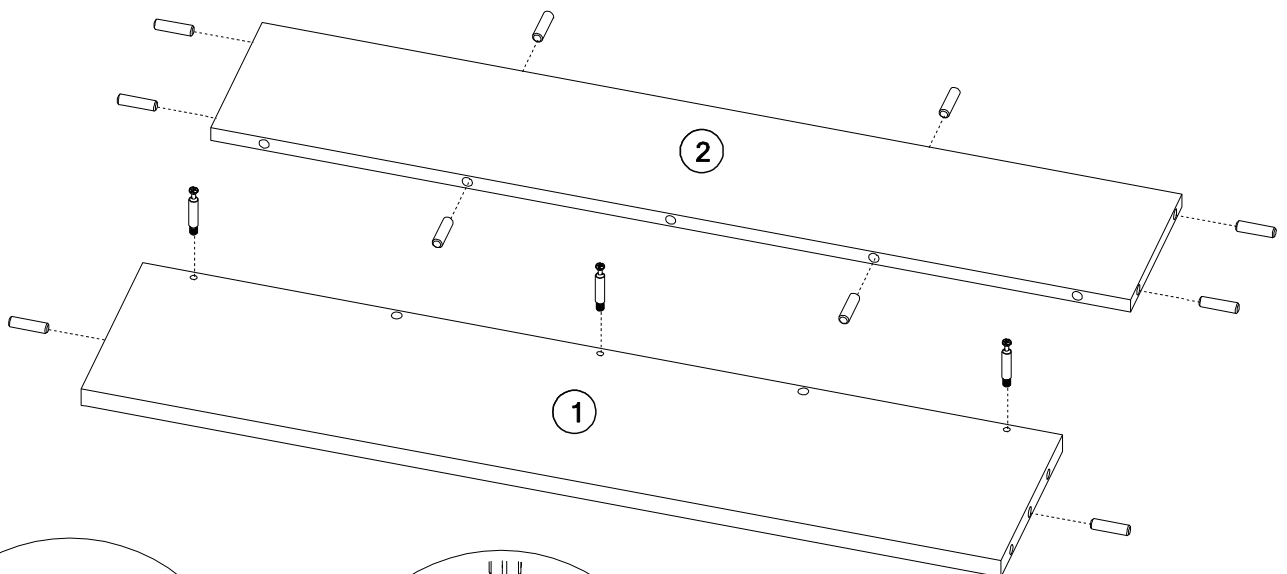
1.

B32		x2	A3		x8
-----	---	----	----	---	----





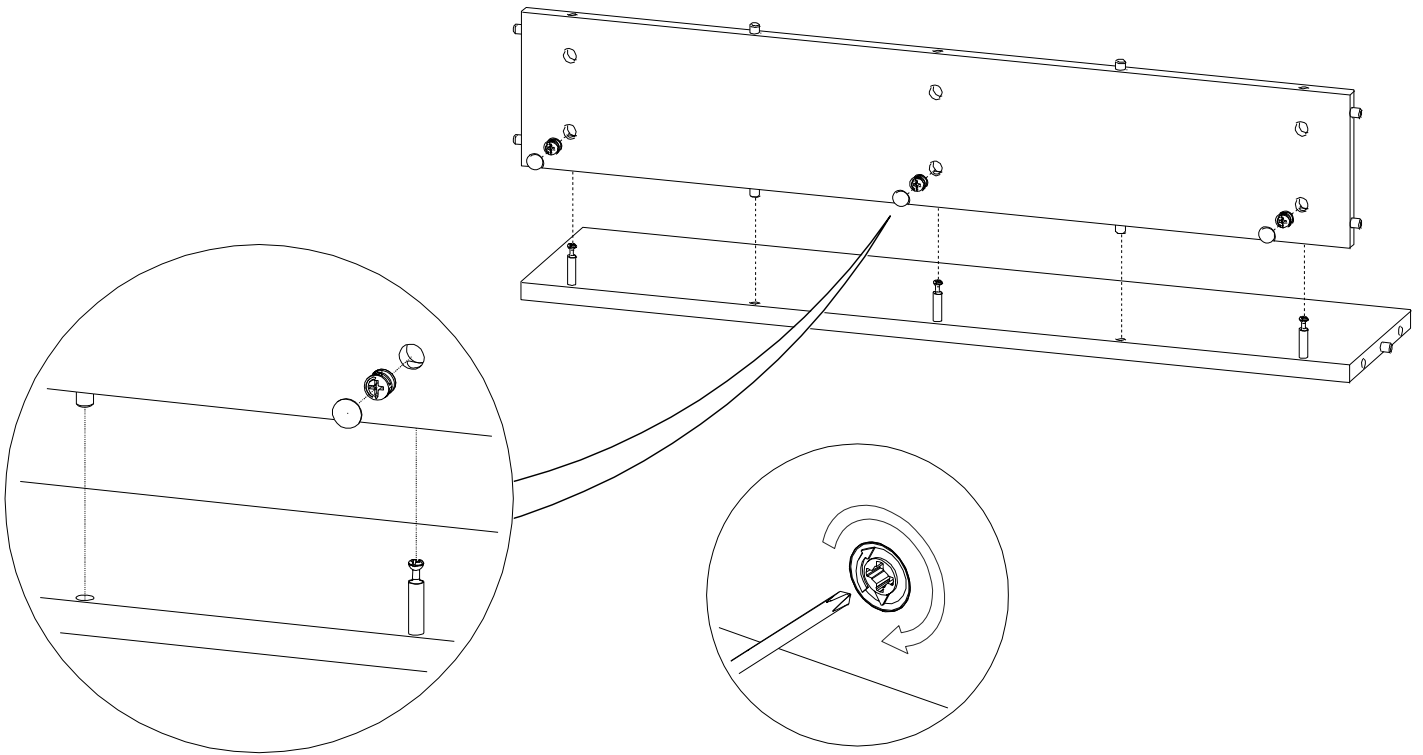
2.

S1	 $\varnothing 8 \times 30$	x10	A1		x3
----	---	-----	----	---	----

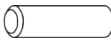



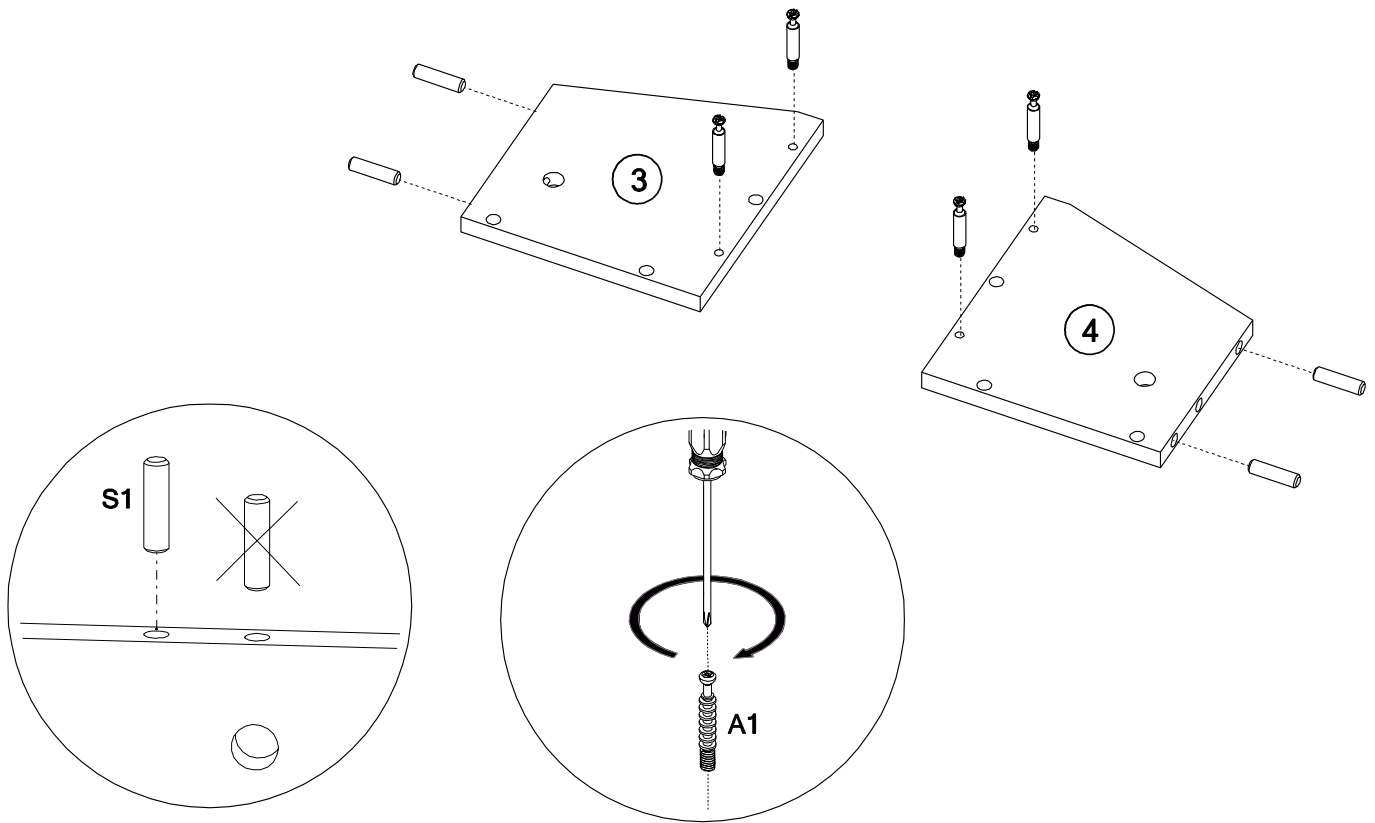
3.

S18	 H=9,5mm	x3	C6		x3
-----	---	----	----	---	----

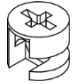


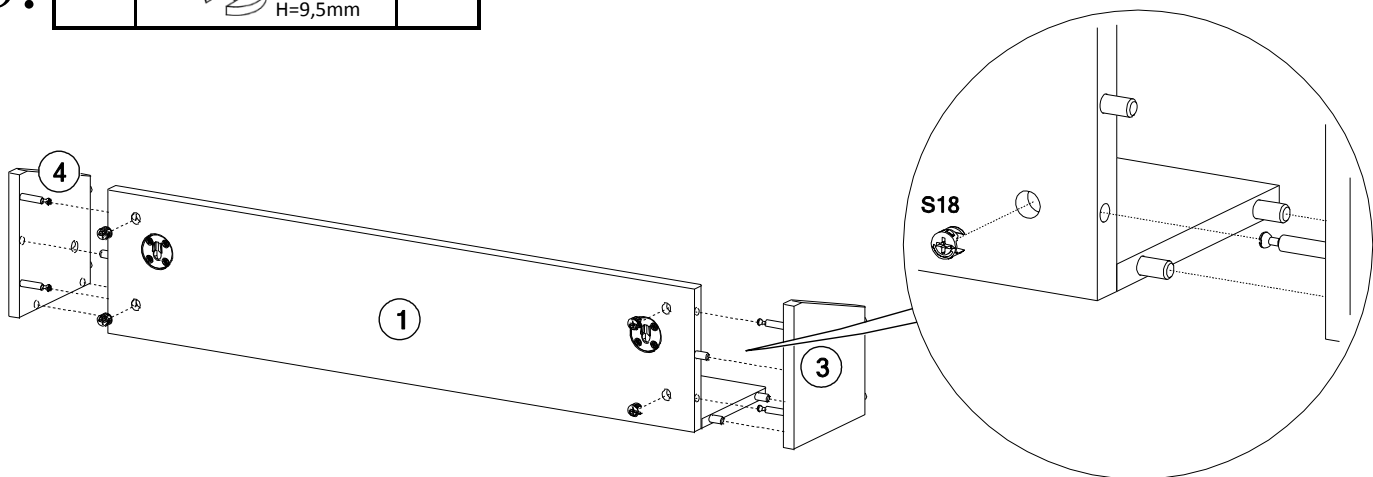
4.

S1	 ø8x30	x4	A1		x4
----	--	----	----	---	----




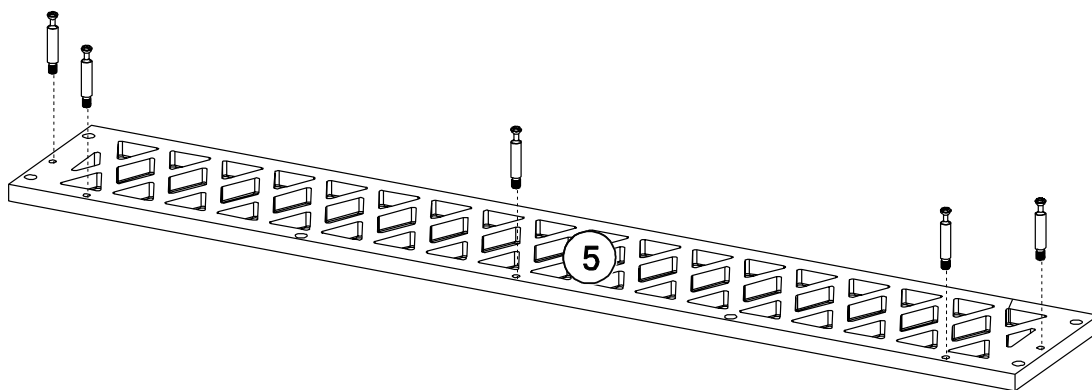
5.

S18	 H=9,5mm	x4
-----	---	----





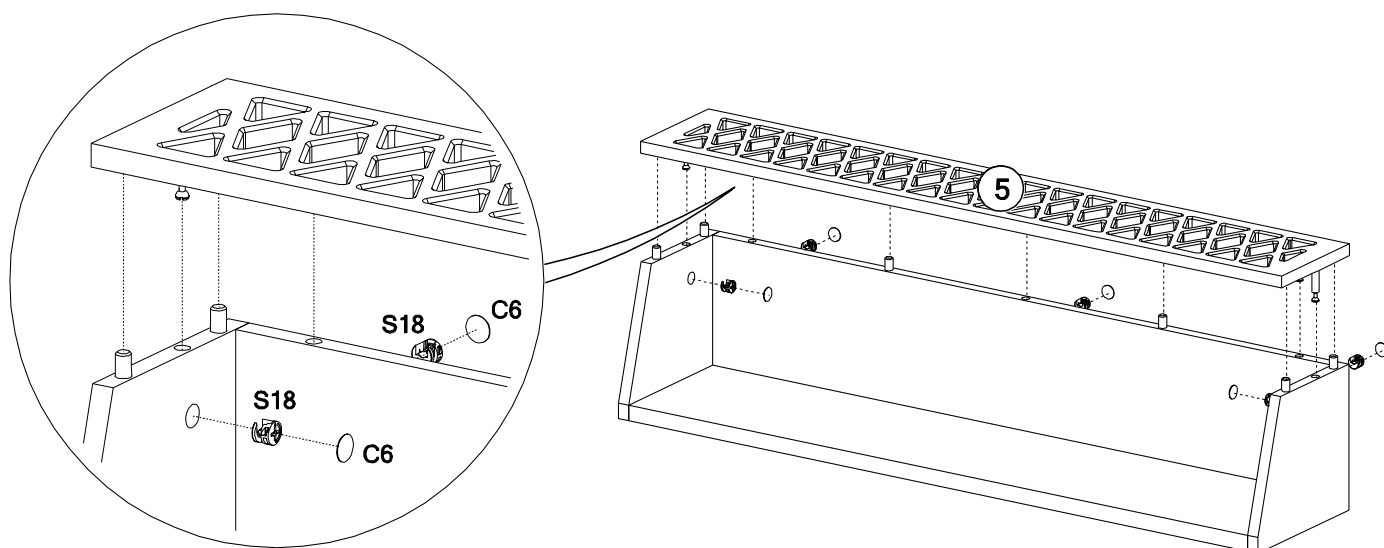
6.

A1		x5
----	---	----

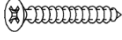



7.

S18	 H=9,5mm	x5	C6		x5
-----	--	----	----	---	----



8.

A38	 $\varnothing 4,5 \times 45$	x2	S16		x2
-----	---	----	-----	---	----

