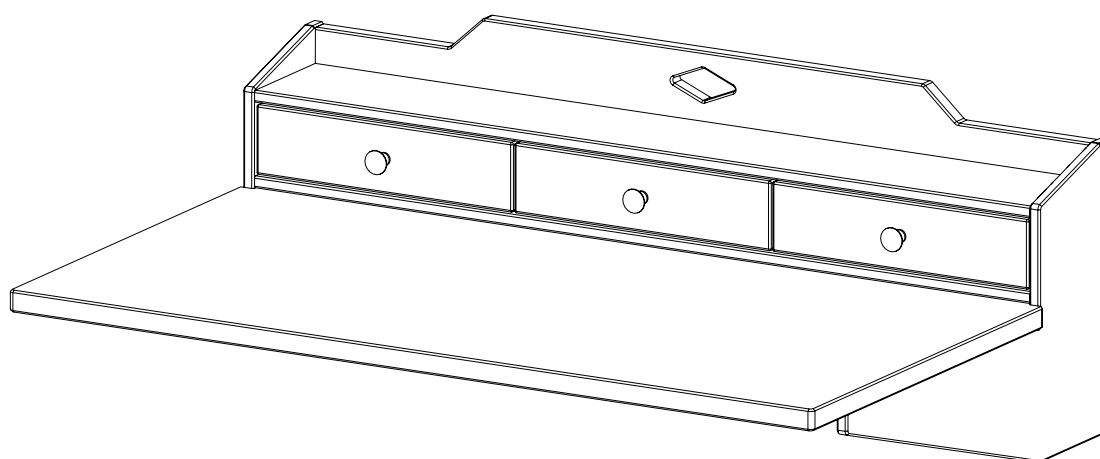


ASSEMBLY GUIDE – SAMLEVEJLEDNING – BRUKS-OG MONTERINGSVEILEDNING –
MONTERINGSGUIDE – MONTAGE – GUIDE DE MONTAGE – MONTAGEHANDLEIDING
– GUIDA AL MONTAGGIO – GUÍA DE MONTAJE – GUIA DE MONTAGEM – INSTRUKCJA
MONTAŻU – PRŮVODCE MONTÁŽÍ – NÁVOD NA MONTÁŽ – VODIČ ZA MONTIRANJE
– ÖSSZESZERELÉSI ÚTMUTATÓ – KOKOAMISOHJE – SAMSETNINGARLEIÐARVÍSIR –
ΟΔΗΓΟΣ ΣΥΝΑΡΜΟΛΟΓΗΣΗΣ

2029 - Luca Floating Kids Desk
23 - WHITE
40 - CLASSIC GREY



42896/1

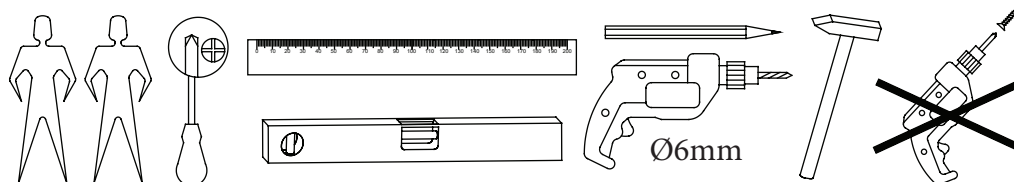
ASSEMBLY GUIDE MONTAGE SAMLEVEJLEDNING MONTERING

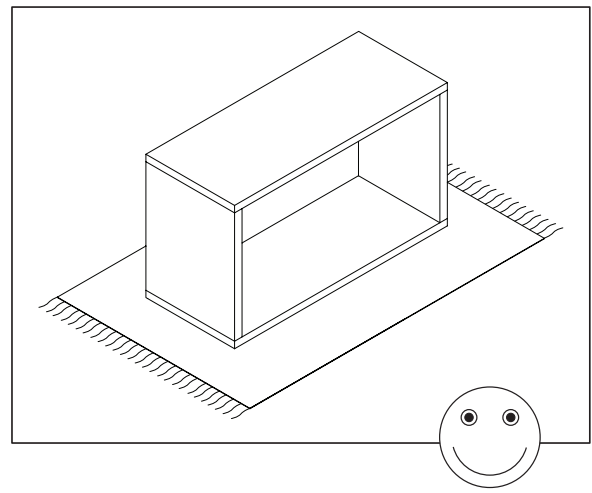
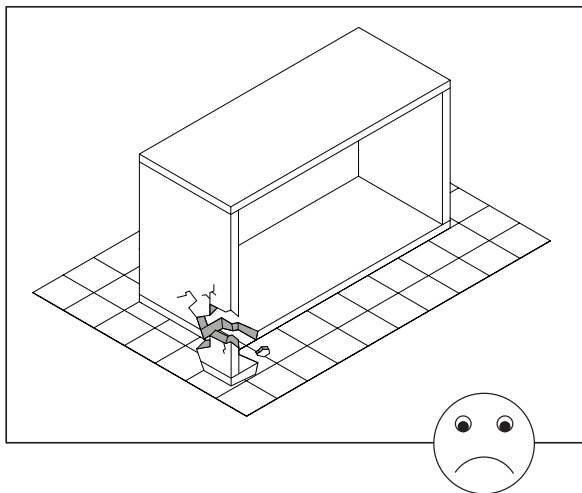
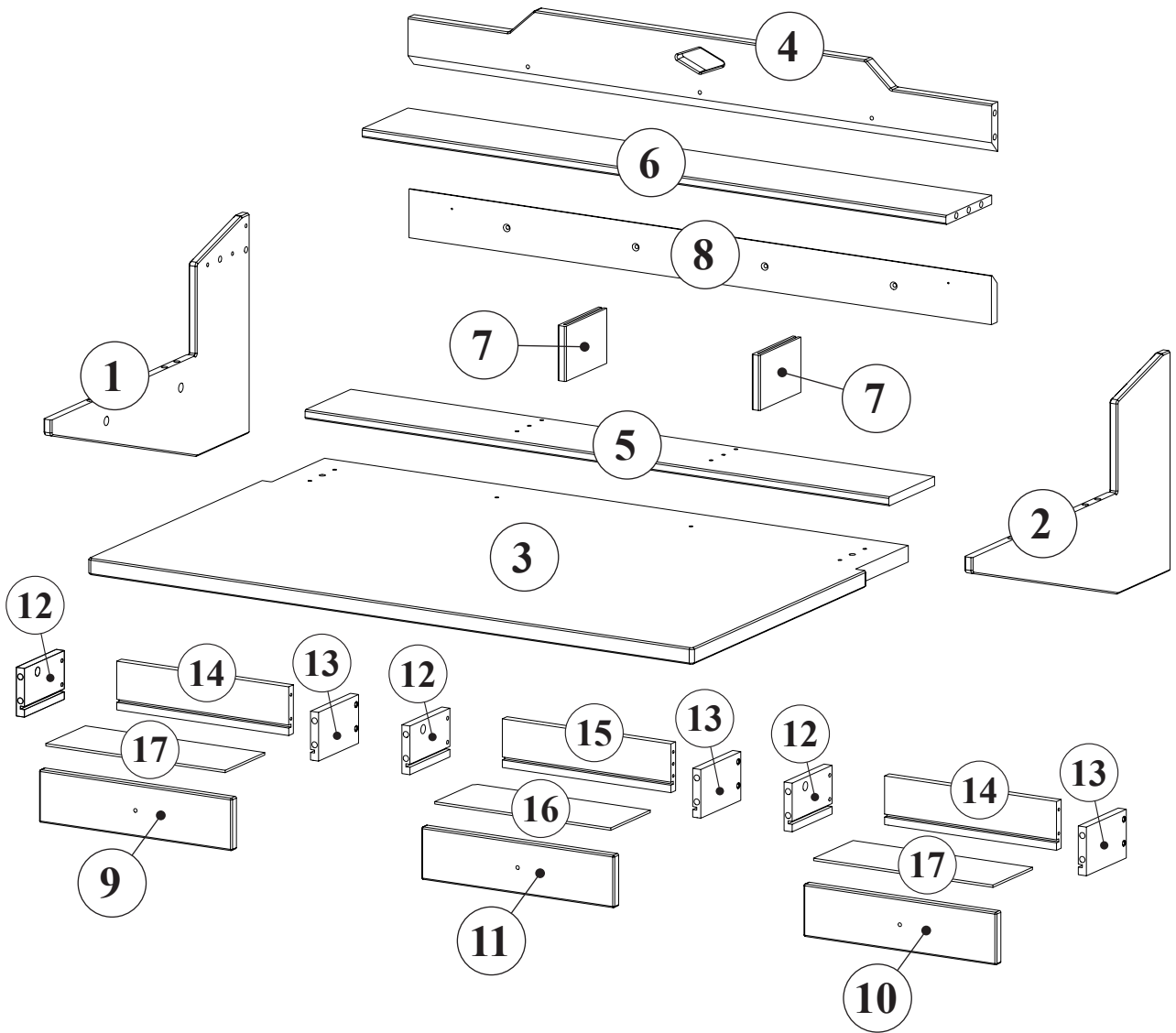
PARTS LIST

| Item No. | Dimensions, mm | Quantity | Package |
|----------|-----------------|----------|---------|
| 1 | 294 x 510 x 12 | 1 | 1/1 |
| 2 | 294 x 510 x 12 | 1 | 1/1 |
| 3 | 901 x 584 x 22 | 1 | 1/1 |
| 4 | 869 x 100 x 16 | 1 | 1/1 |
| 5 | 869 x 118 x 12 | 1 | 1/1 |
| 6 | 869 x 118 x 12 | 1 | 1/1 |
| 7 | 73,5 x 106 x 12 | 2 | 1/1 |
| 8 | 867 x 65 x 15 | 1 | 1/1 |
| 9 | 287 x 70 x 12 | 1 | 1/1 |
| 10 | 287 x 70 x 12 | 1 | 1/1 |
| 11 | 287 x 70 x 12 | 1 | 1/1 |
| 12 | 103 x 65 x 12 | 3 | 1/1 |
| 13 | 103 x 65 x 12 | 3 | 1/1 |
| 14 | 251 x 65 x 12 | 1 | 1/1 |
| 15 | 256 x 65 x 12 | 2 | 1/1 |
| 16 | 262 x 102 x 3,2 | 1 | 1/1 |
| 17 | 267 x 102 x 3,2 | 2 | 1/1 |

42896/1

TOOLS NEEDED FOR ASSEMBLY





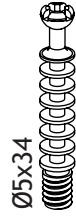
42896/1



H1
(×14)



H10
(×2)



D81
(×16)



D80
(×16)



A17
(×2)



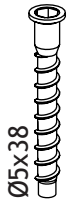
A121
(×2)



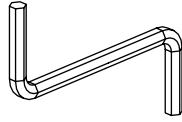
A59
(×4)



D179
(×8)



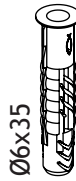
A298
(×15)



A68
(×1)



A69
(×6)



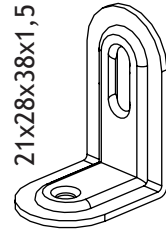
H12
(×4)



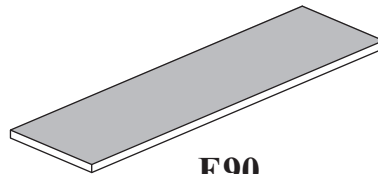
A164
(×3)



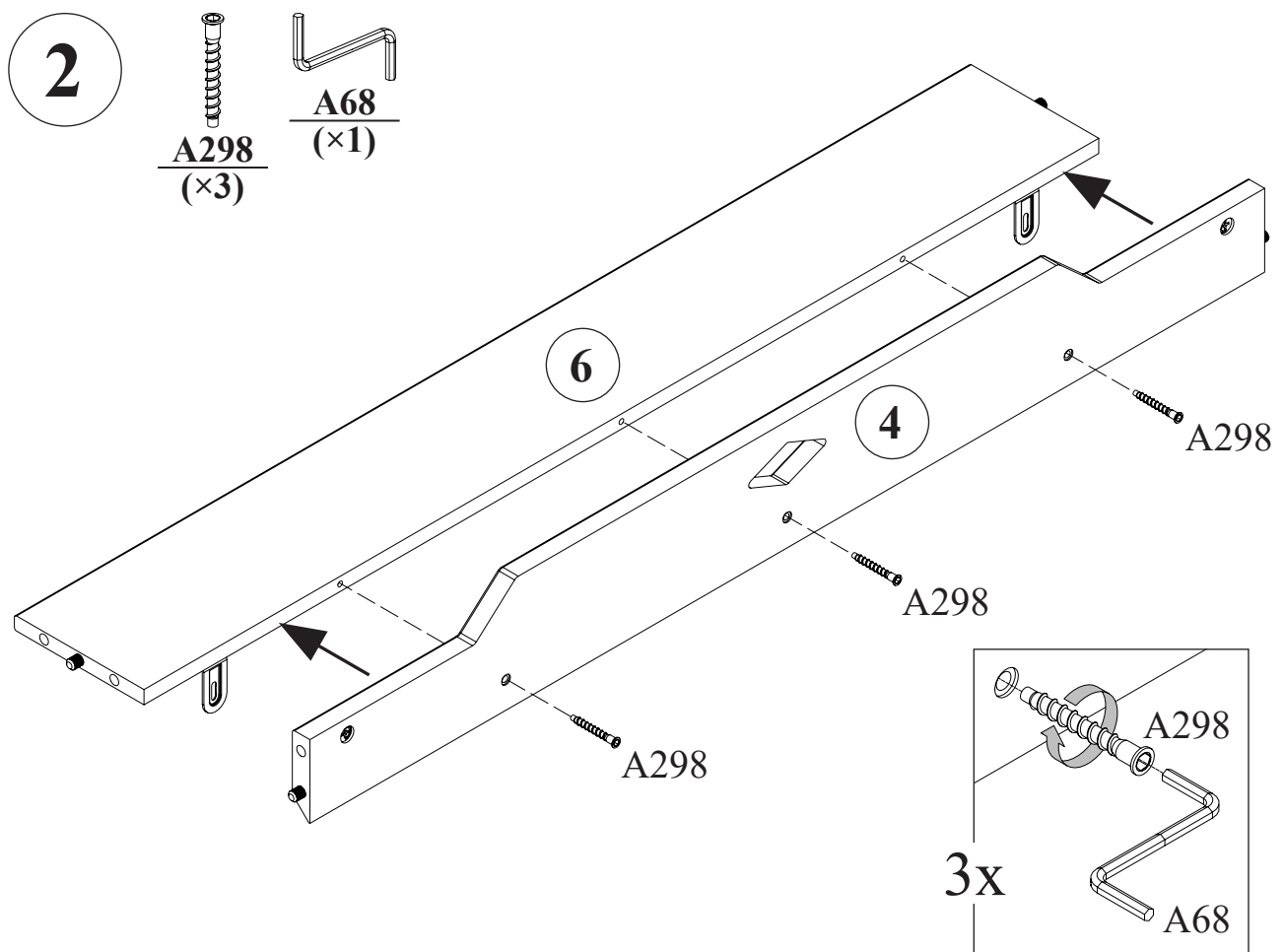
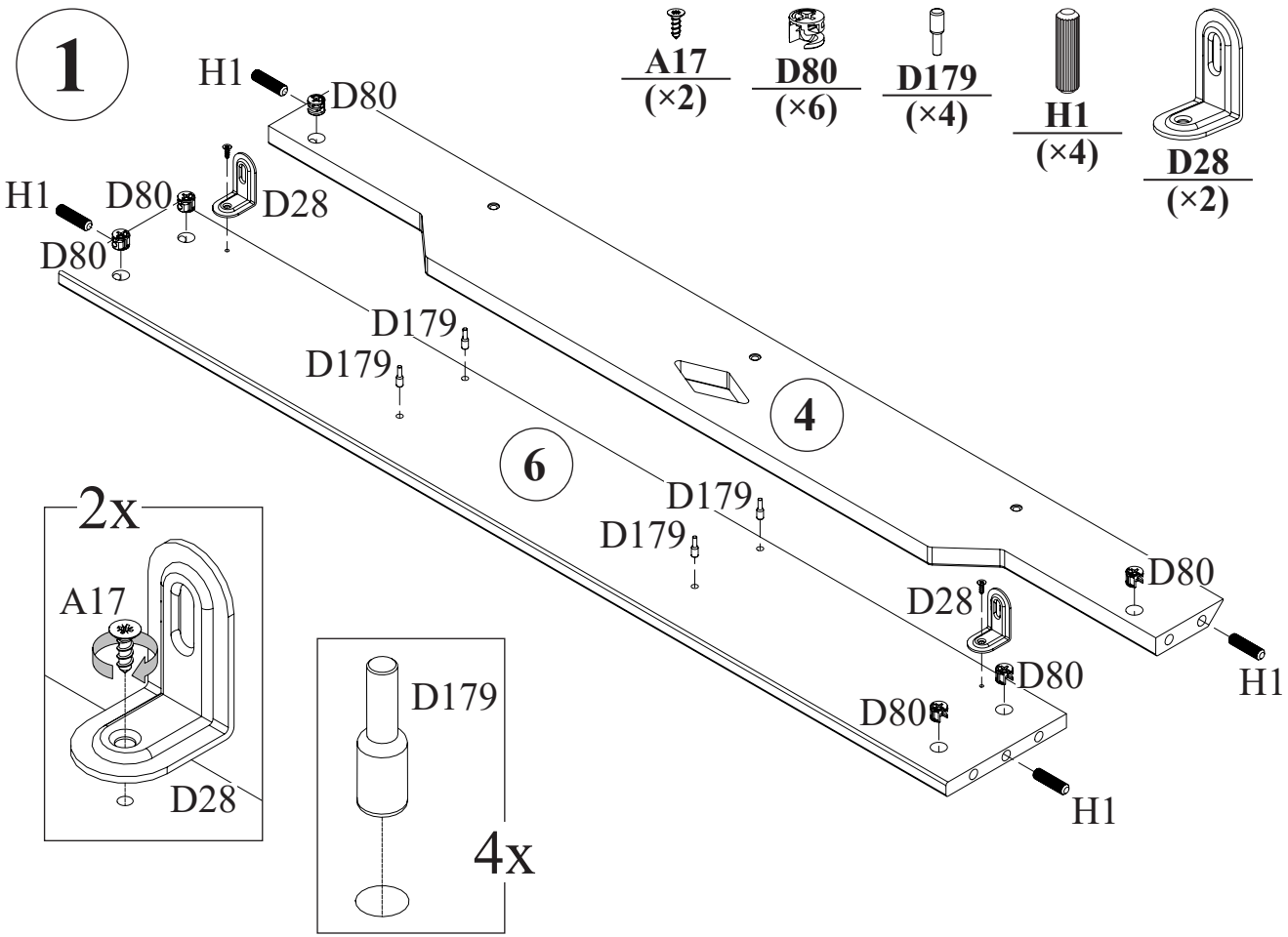
B116
(×3)



D28
(×2)

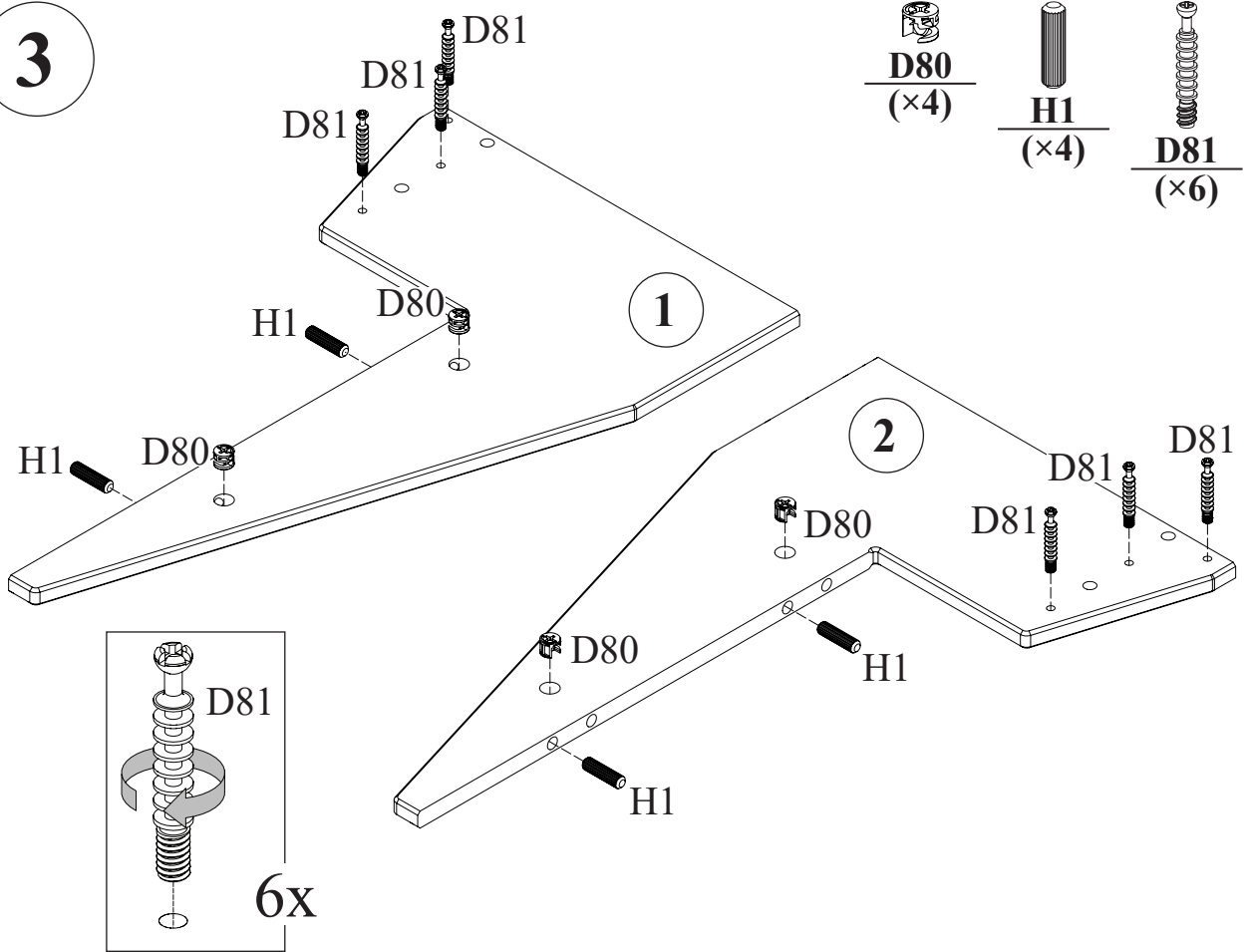


E90
(×6)

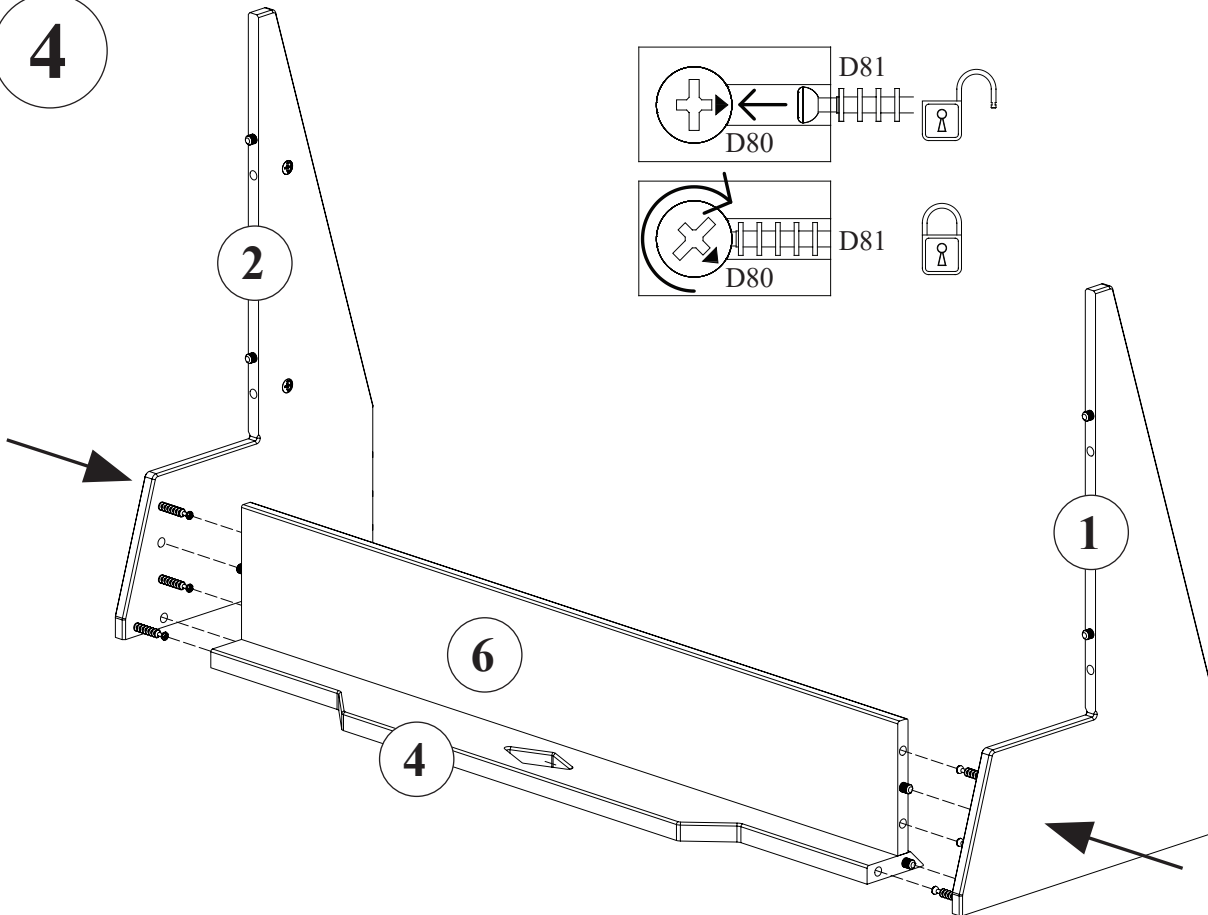


42896/1

3

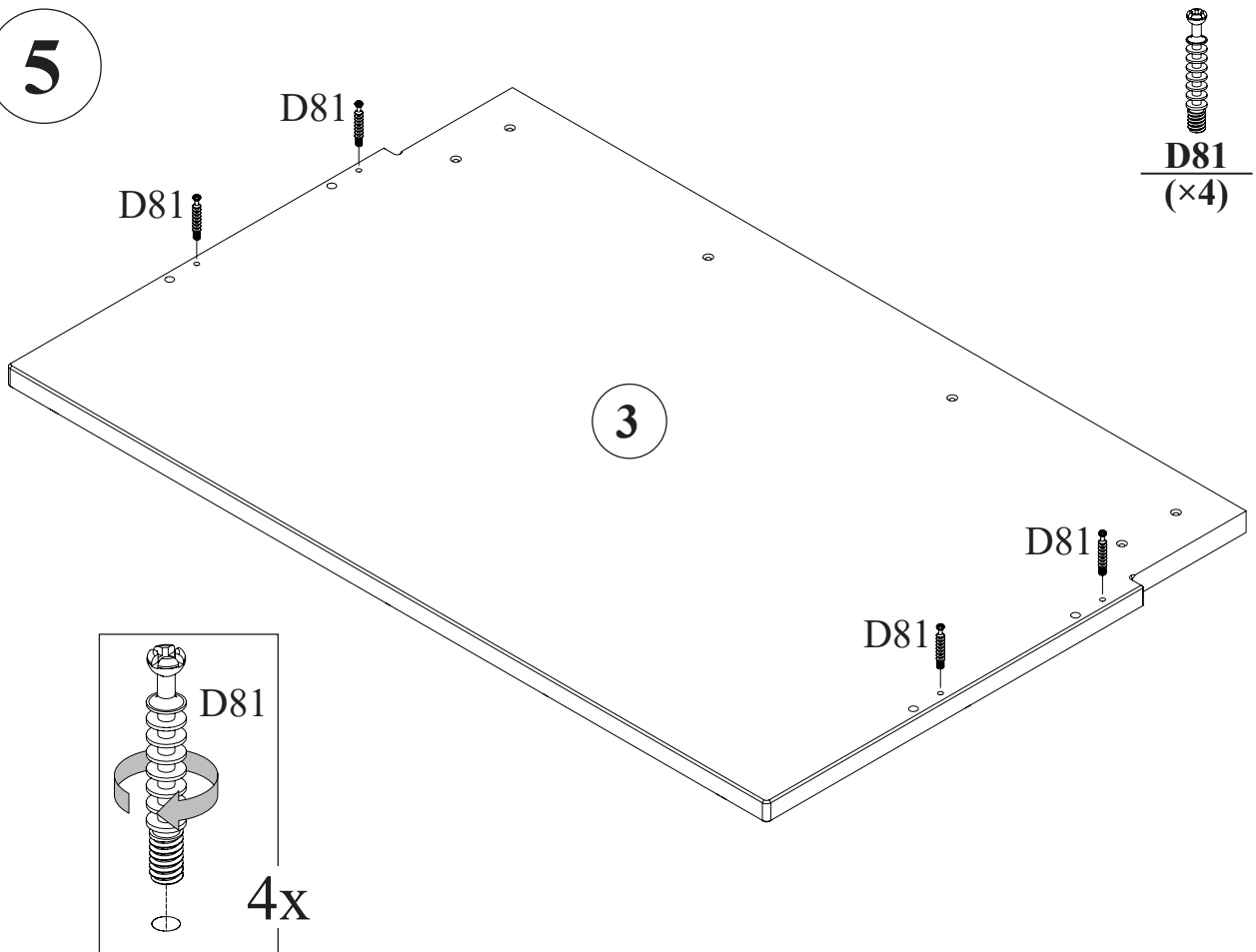


4

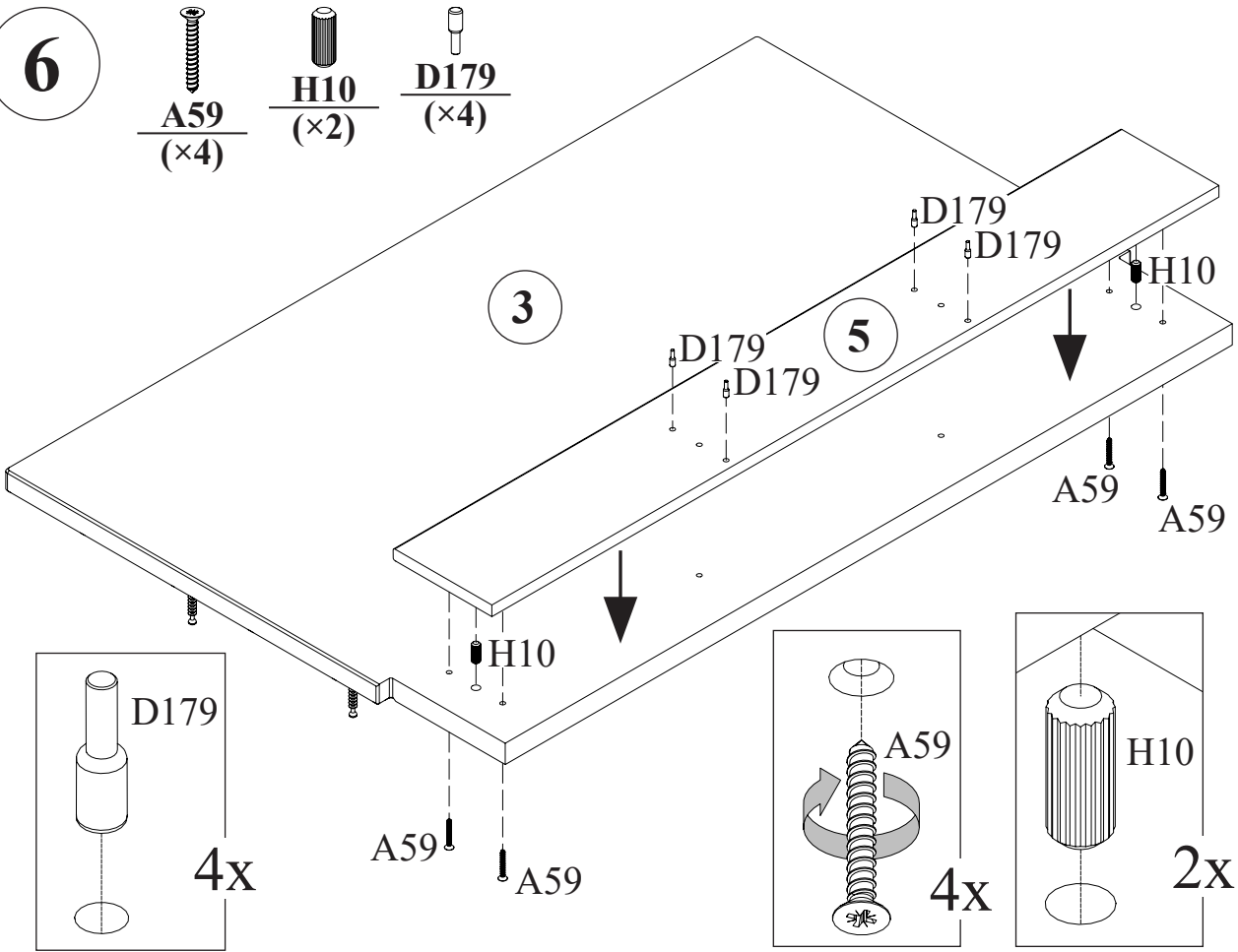


42896/1

5

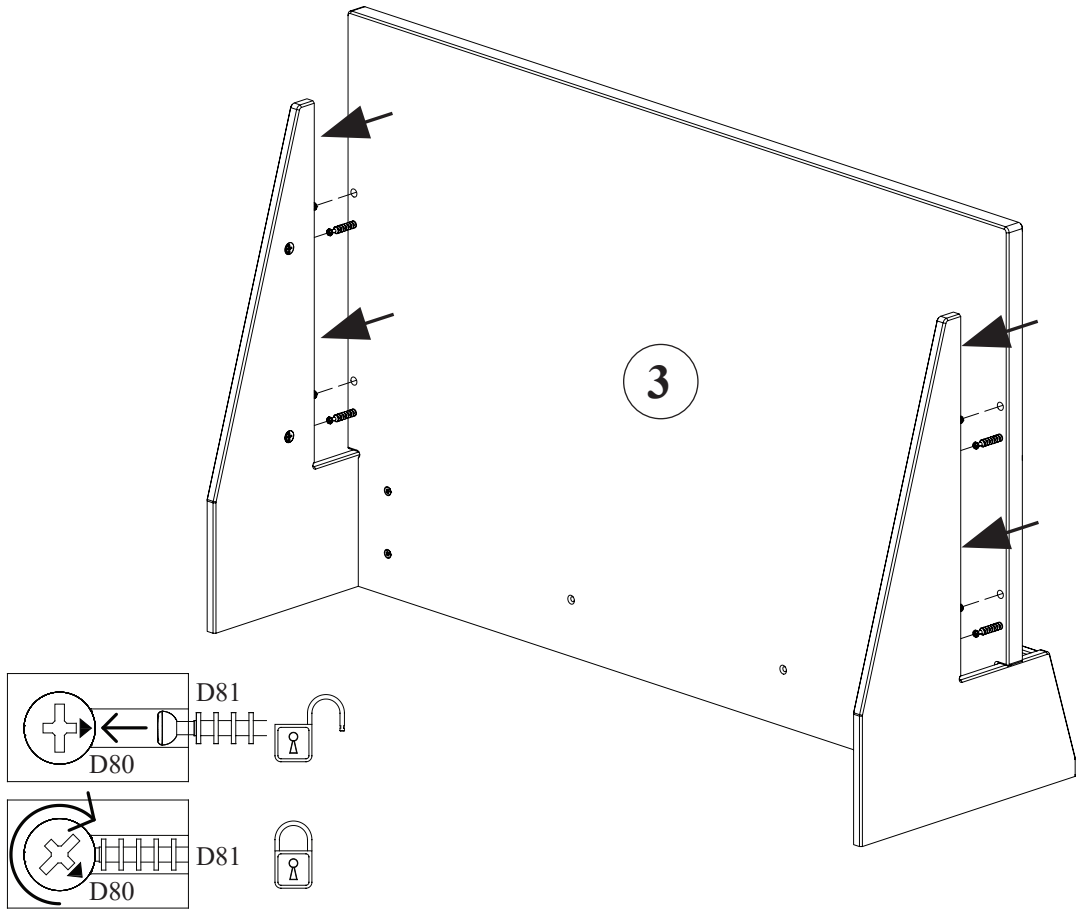


6

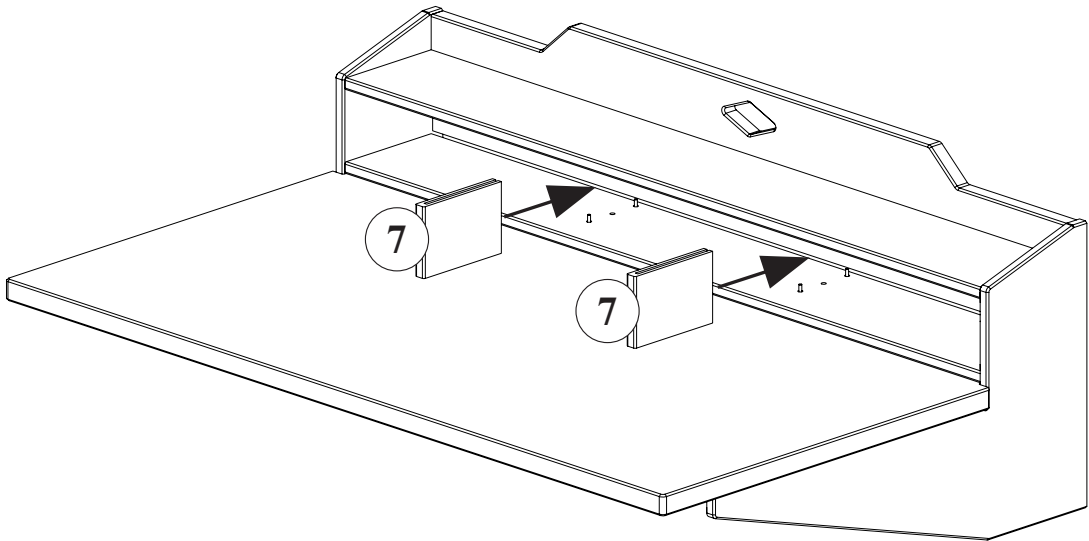


42896/1

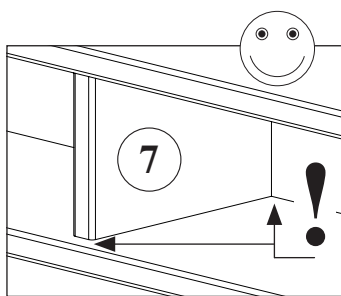
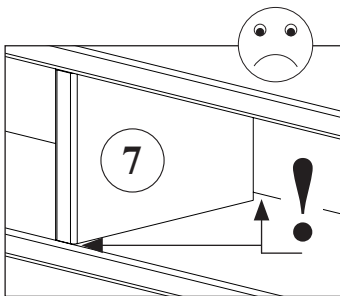
7



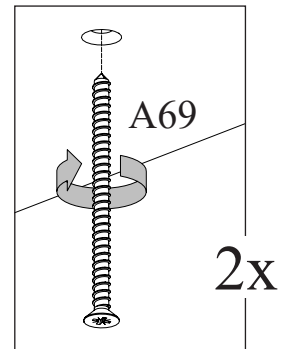
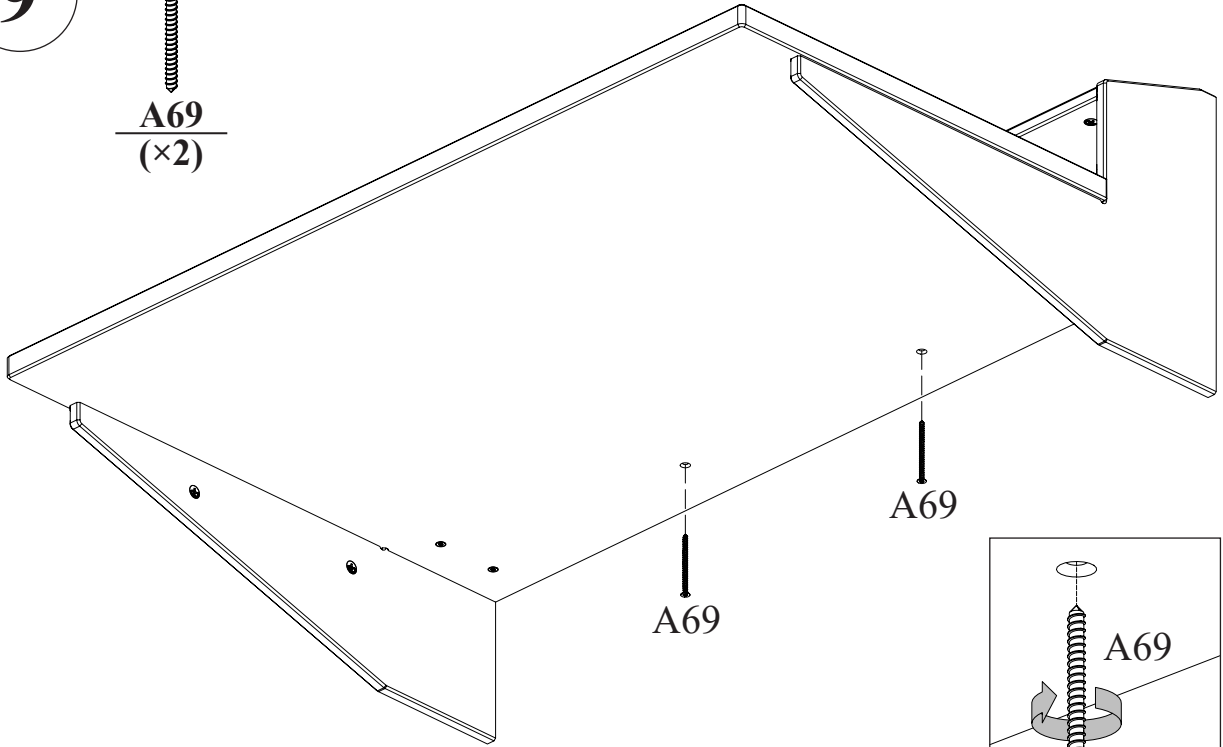
8



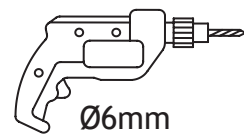
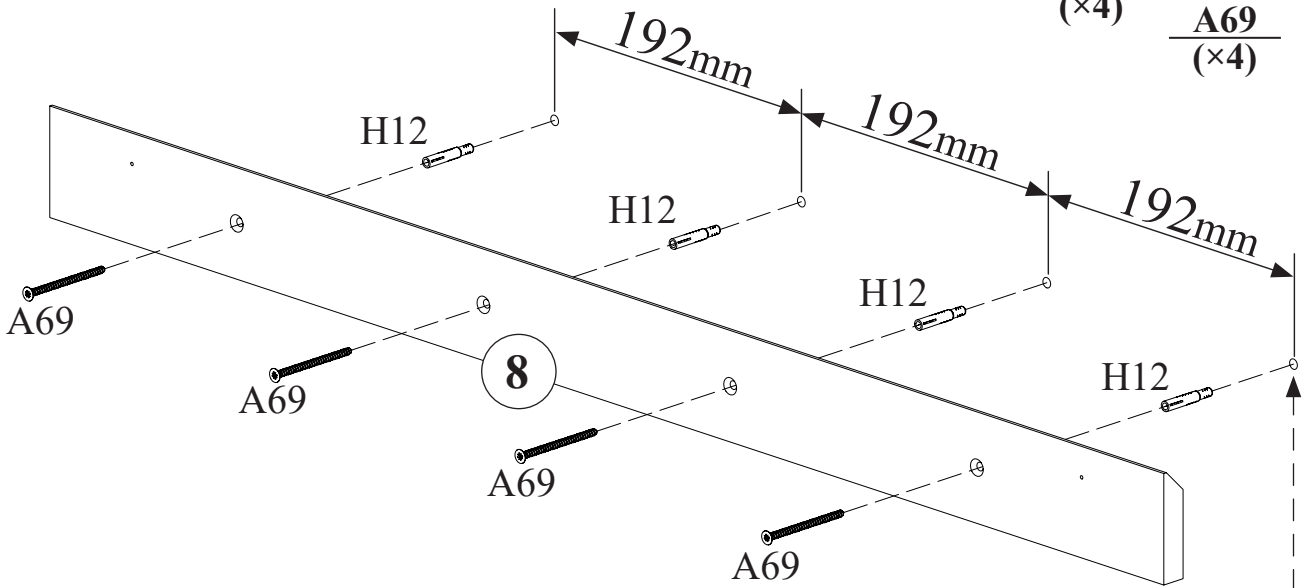
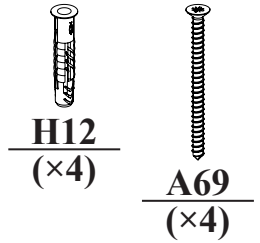
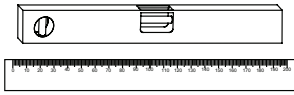
42896/1



9



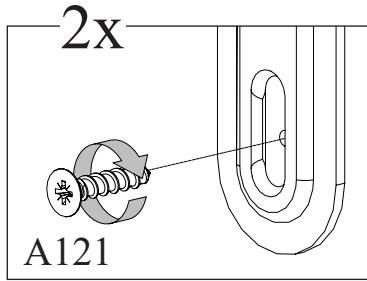
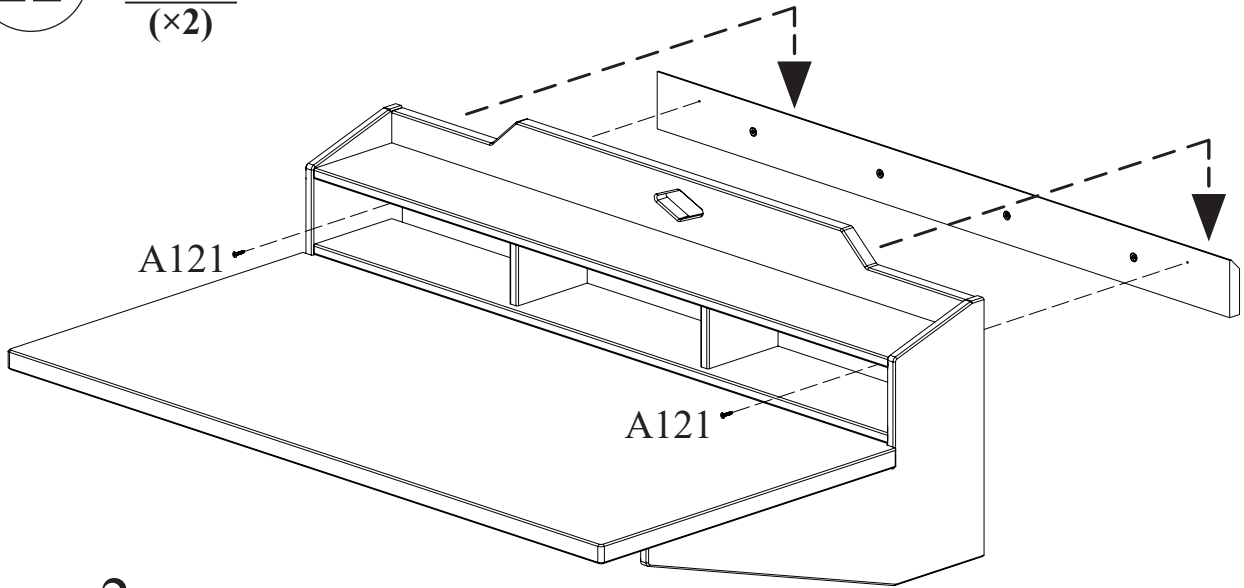
10



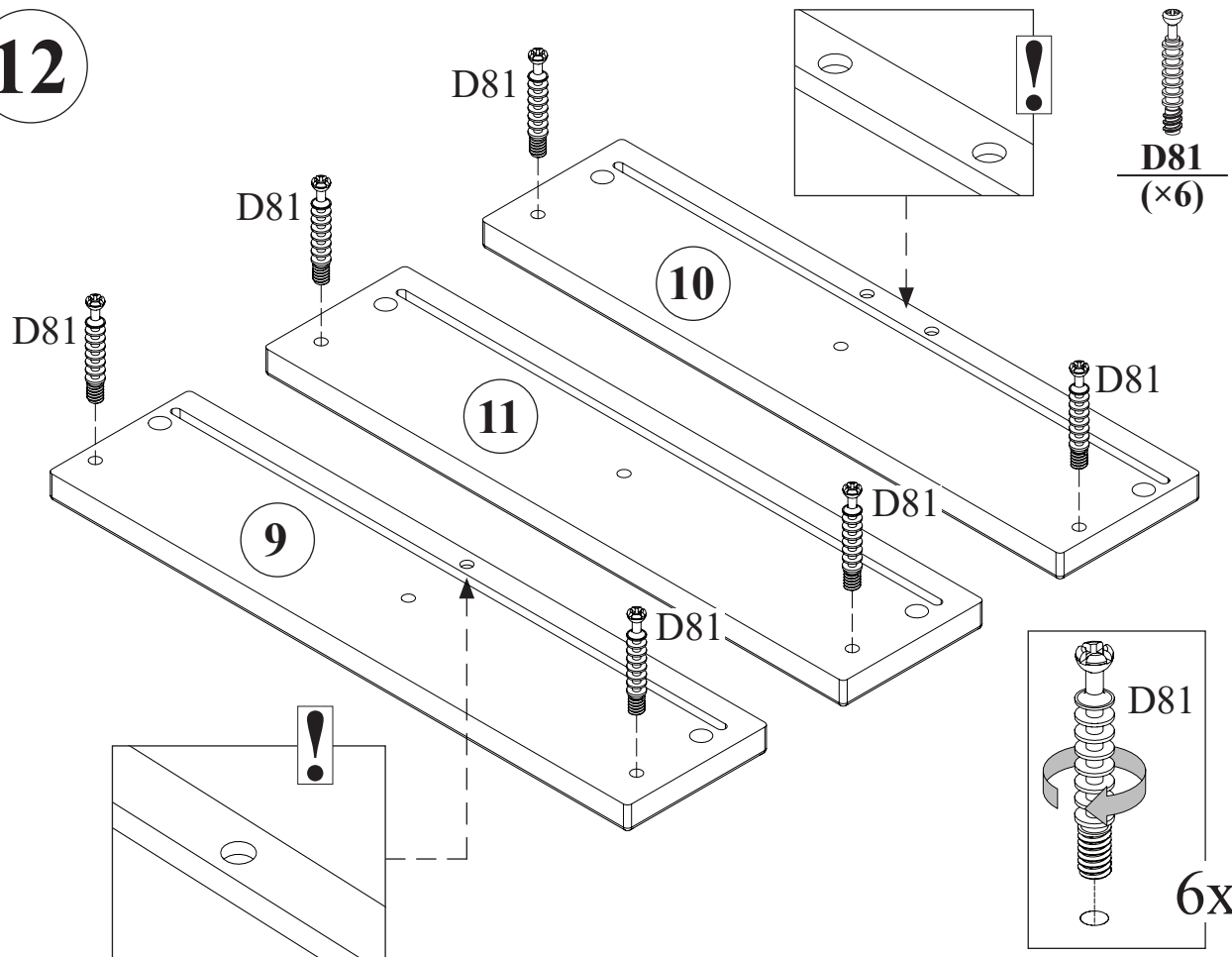
42896/1

11

A121
(x2)





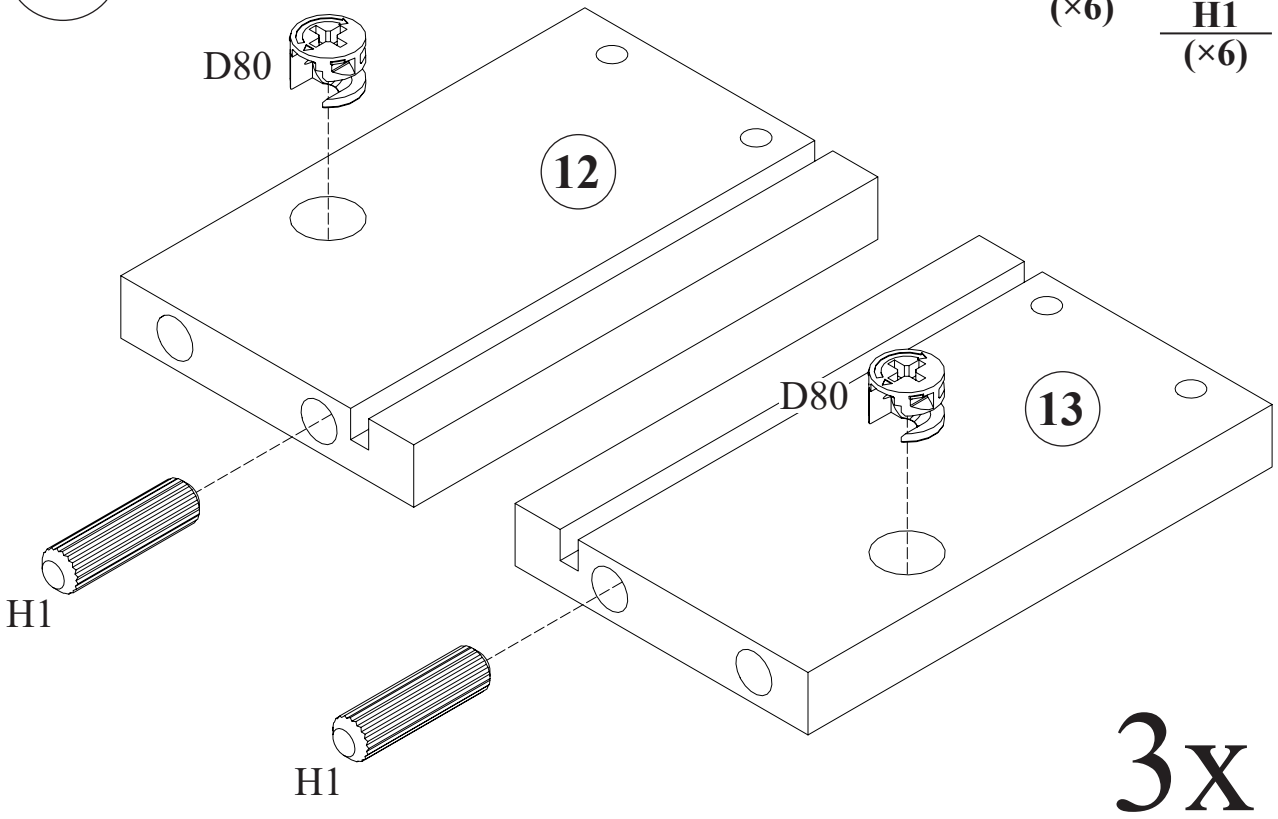
12





42896/1

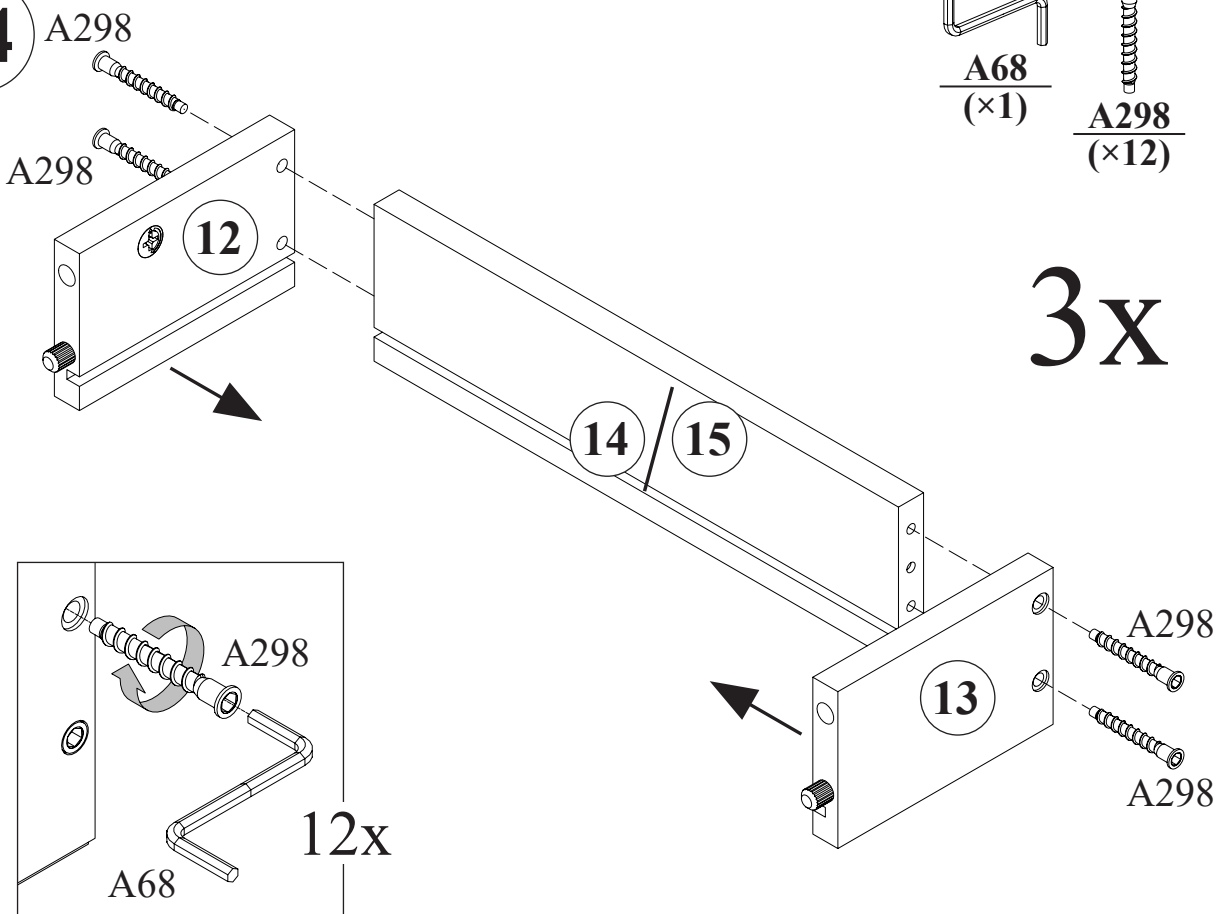
13

 **D80**
(×6)  **H1**
(×6)



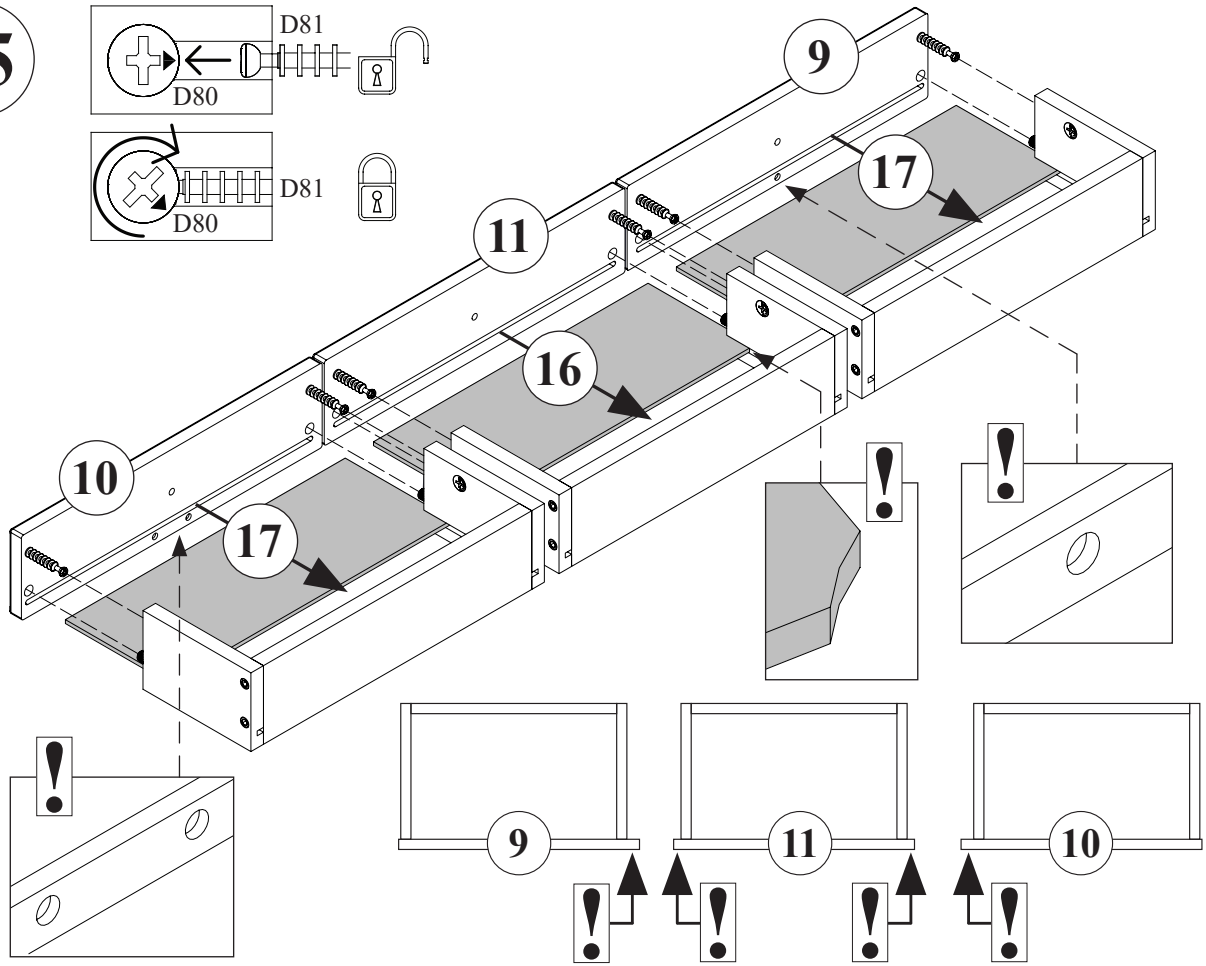
14

 **A68**
(×1)  **A298**
(×12)

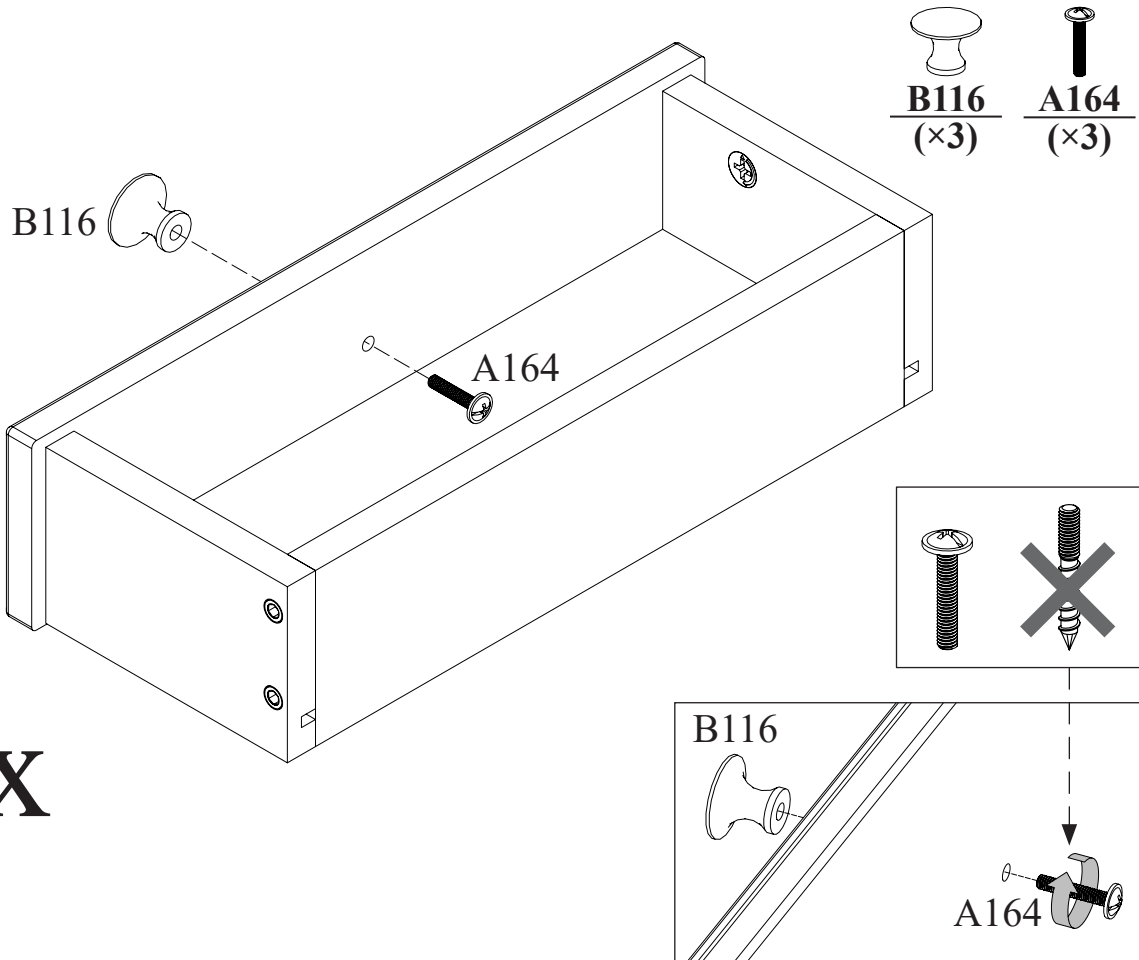



42896/1


15



16

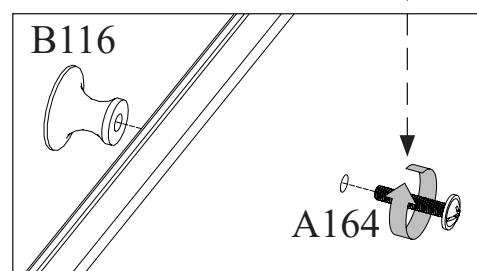
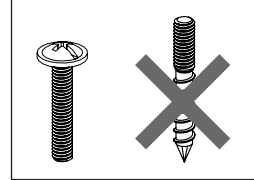


 **B116**
(×3)

 **A164**
(×3)

B116

A164

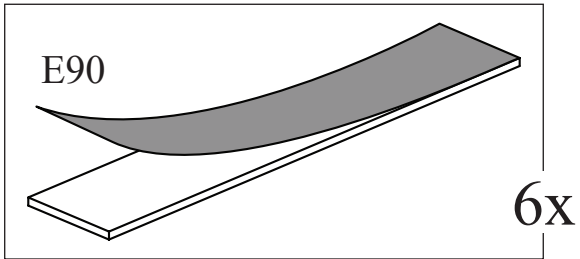
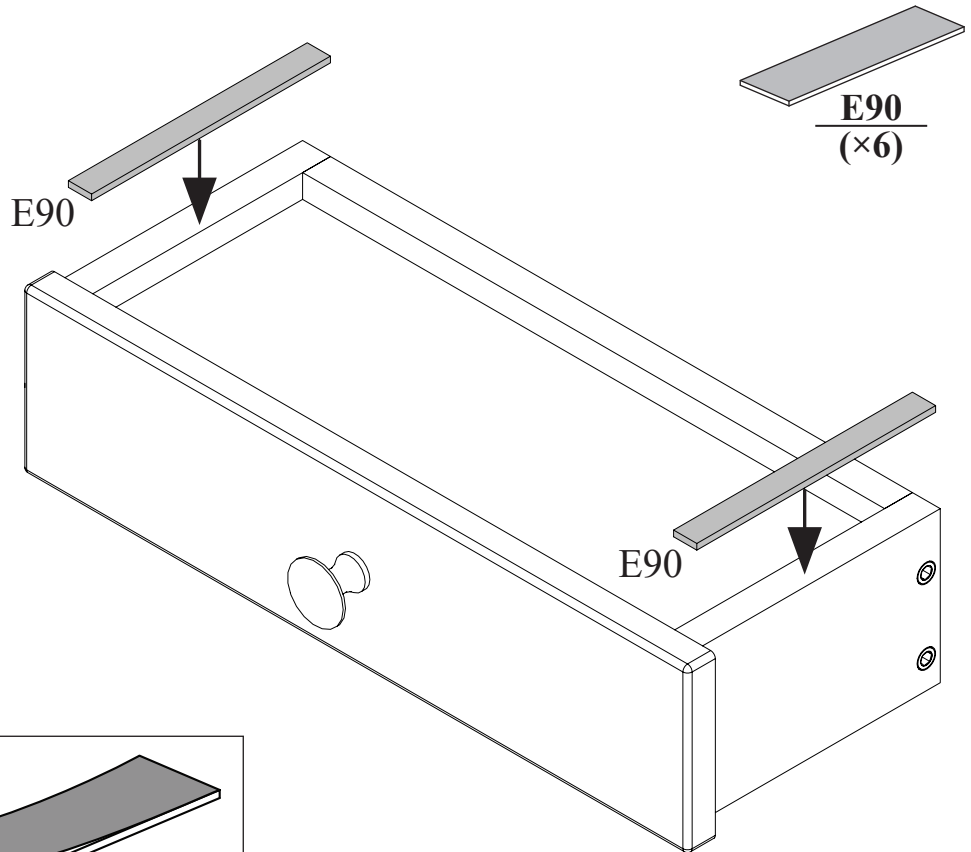


3x

42896/1

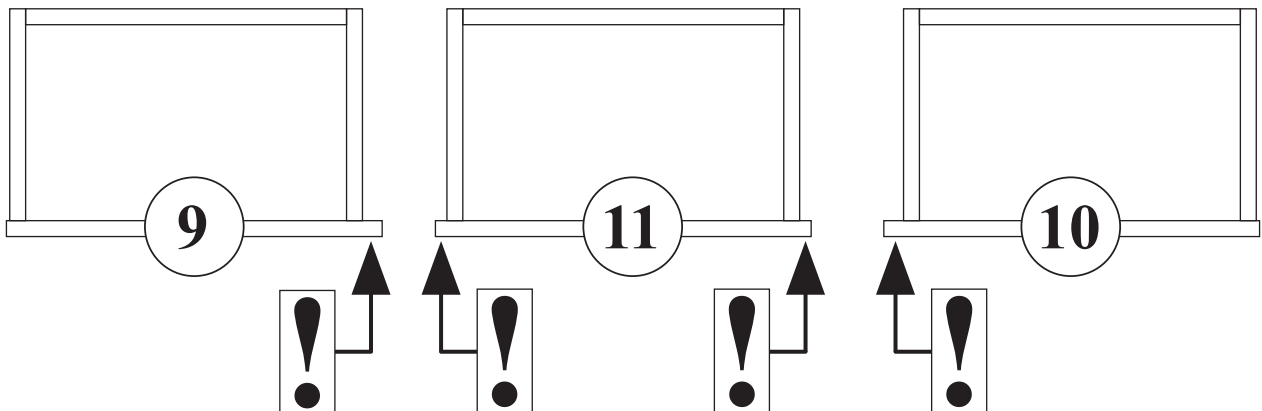
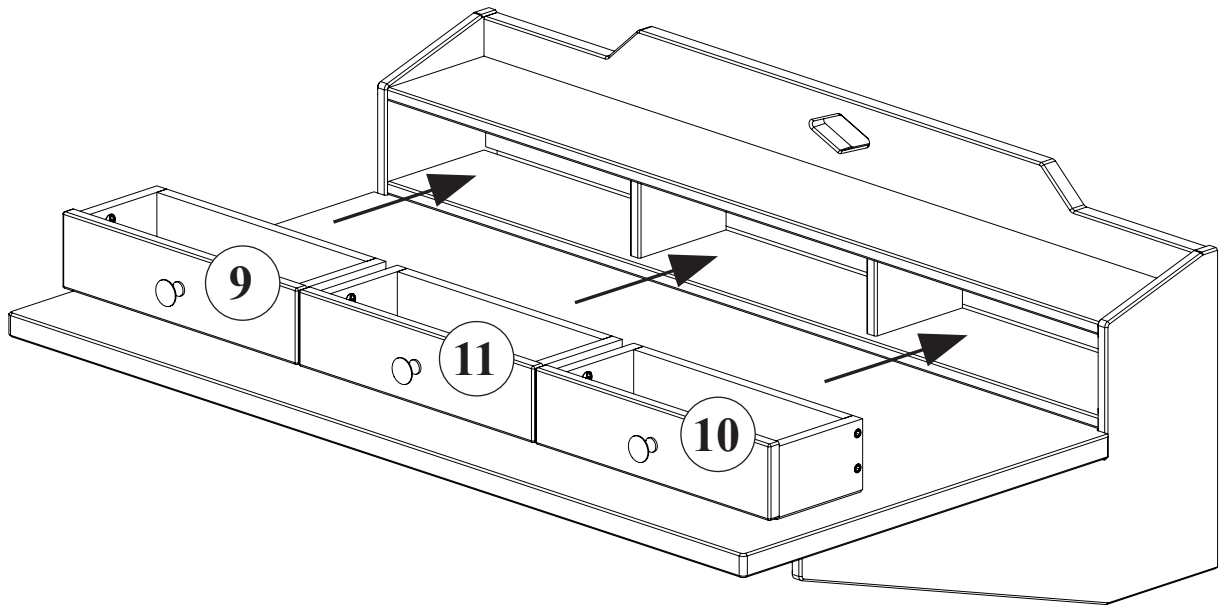
17

3x



42896/1

18



42896/1