

nAIM DIGITAL ACTIVE INVERTED MAGNETRON VACUUM GAUGE

edwardsvacuum.com

Edwards nAIM series Digital Active Inverted Magnetron vacuum gauges combine the gauge-head and controller in one compact active unit. These are new digital versions of gauges that have proved to be rugged and reliable in a wide range of applications ranging from scientific instruments to industrial processes.

The nAIM gauges feature compact size for easy installation, a serial output and a replaceable sensor tube. They are also CSA and C/US approved as well as fully RoHS compliant due to their lead-free construction.

Features and benefits

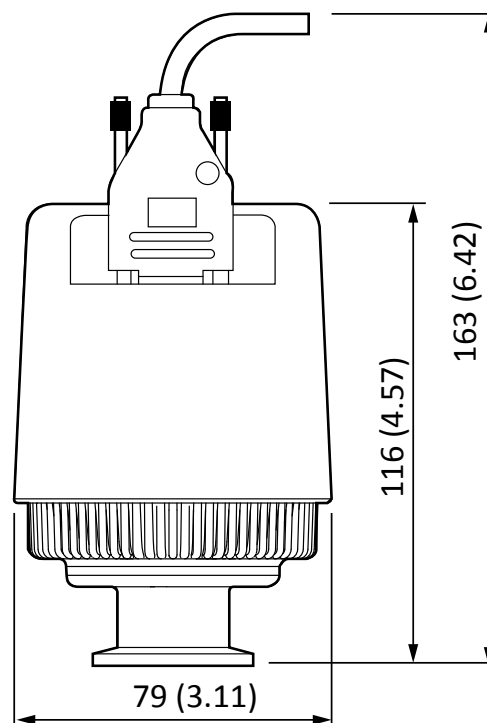
- Wide-range supply voltage allows operation from 15 to 48 V DC
- Gauge naming allows user to store gauge identification data
- Rapid tube replacement without pre-calibration
- Unique striker design ensures rapid striking even at high vacuum or in contaminating conditions
- Low external magnetic field version (L) for sensitive analytical instruments available upon request
- Serial communications based on a simple ASCII, low latency, query and command protocol that can operated in a point to point or multi-drop system with minimum overhead
- Adjustable open collector set-point output for straightforward process control and interlocking
- CSA and C/US approved, meets the safety requirements for electrical equipment for measurement
- RS485 or RS232 versions
- 9600 to 38400 baud, 8bits, 1 start bit, 1 stop bit, no parity



nAIM DIGITAL ACTIVE INVERTED
MAGNETRON VACUUM GAUGE

Technical Data

Mass	
NW25 version	0.81 kg
Internal volume	26 cm ³
Enclosure rating	IP40
Performance	
Measurement range	10 ⁻² to 10 ⁻⁹ mbar
Accuracy typically	±30%
Maximum over-pressure	10 bar absolute
Operating and Storage Conditions	
Temperature range	
Operating	5 to 60 °C
Storage	0 to 70 °C
Humidity	80% RH up to 31 °C decreasing linearly to 50% RH at 40 °C and above
Maximum altitude	3000 m
Electrical Data	
Electrical supply voltage	15 to 48 V DC nominal
Power consumption	2 W
Set-point	open collector transistor
Rating	48 V DC 100 mA



Dimensions mm (inch)

Order Information

nAIM Digital Active Inverted Magnetron Gauge	Order number
nAIM RS485 NW25 flange	D14690010
nAIM-I RS485 NW25 flange	D14690030
nAIM RS232 NW25 flange	D14690510
nAIM-I RS232 NW25 flange	D14690530
Other flange sizes and low field version (L) available upon request	

Accessories and Spares	Order number
Spare body tube assembly for nAIM-M NW25 flange	D14545801

GLOBAL CONTACTS

Publication Number: 3601 0398 01
© Edwards Limited 2018. All rights reserved Edwards and the Edwards logo are trademarks of Edwards Limited

Whilst we make every effort to ensure that we accurately describe our products and services, we give no guarantee as to the accuracy or completeness of any information provided in this datasheet.

Edwards Ltd, registered in England and Wales
No. 6124750, registered office: Innovation Drive,
Burgess Hill, West Sussex, RH15 9TW, UK.

EMEA	
UK	+44 1444 253 000 (local rate) 08459 212223
Belgium	+32 2 300 0730
France	+33 1 4121 1256
Germany	0800 000 1456
Italy	+ 39 02 48 4471
Israel	+ 972 8 681 0633

ASIA PACIFIC	
China	+86 400 111 9618
India	+91 20 4075 2222
Japan	+81 47 458 8836
Korea	+82 31 716 7070
Singapore	+65 6546 8408
Taiwan	+886 3758 1000

AMERICAS	
USA	+1 800 848 9800
Brazil	+55 11 3952 5000

